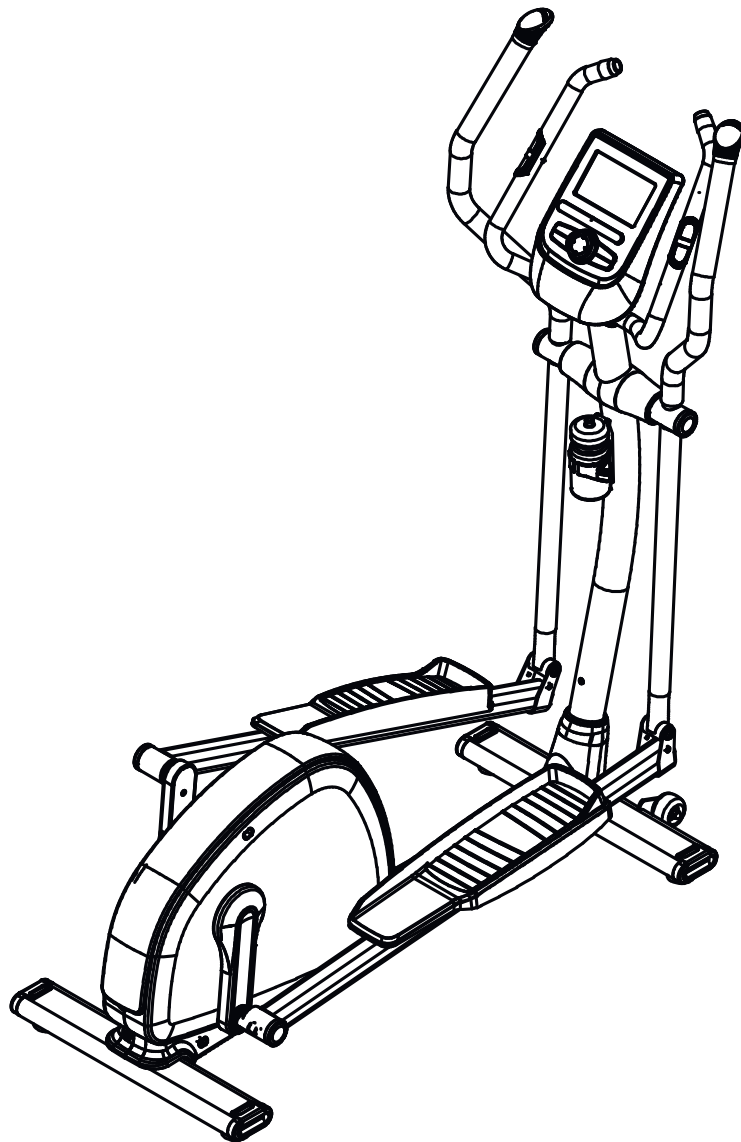


# TUNTURI®

## C80 Cross trainer

User manual  
Benutzerhandbuch  
Manuel de l'utilisateur  
Gebruikershandleiding  
Manual del usuario  
Bruksanvisning  
Käyttöohje

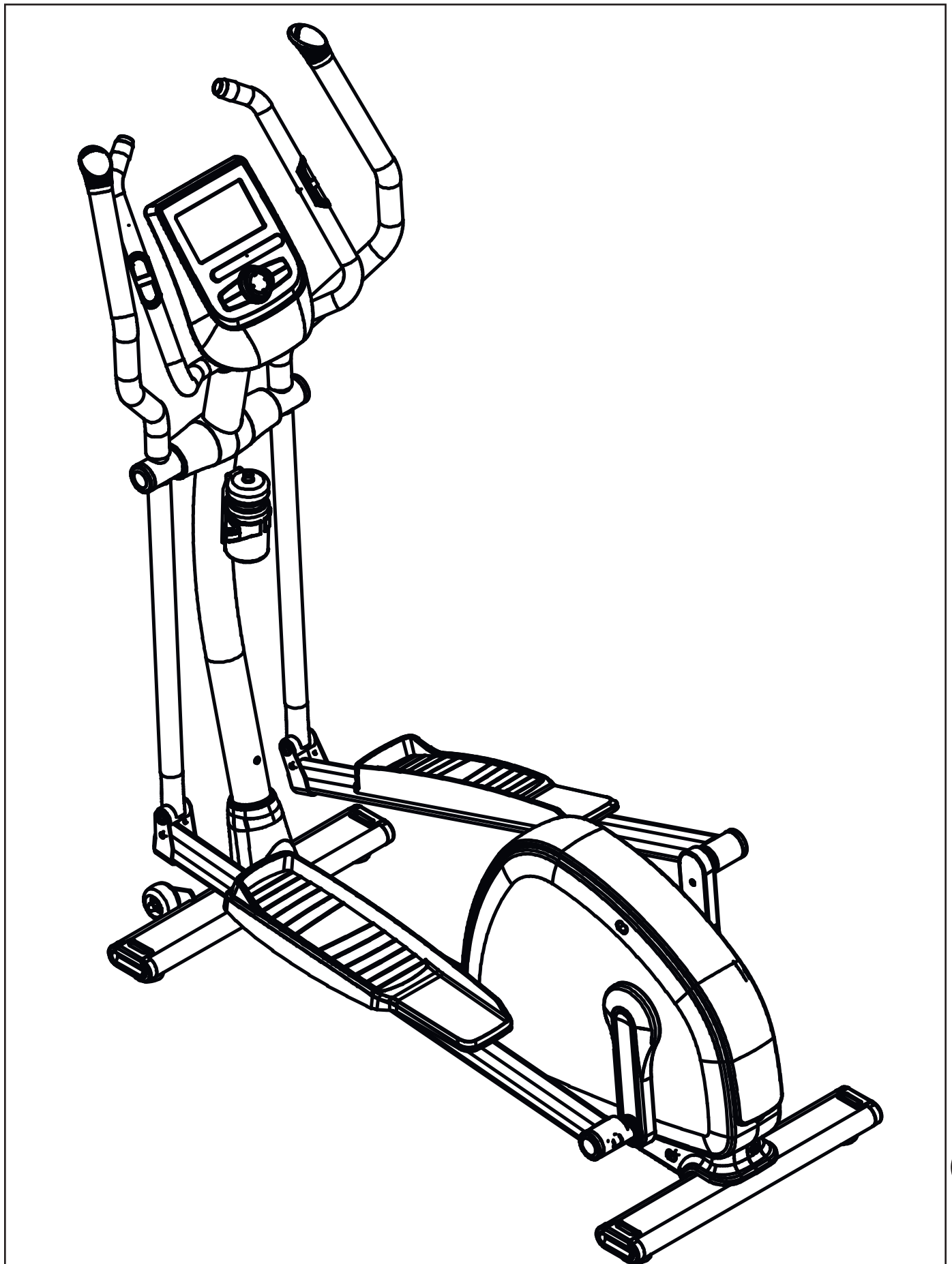


**Attention, Achtung, Attention, Attentie, Atención, Giv akt, Huomio**

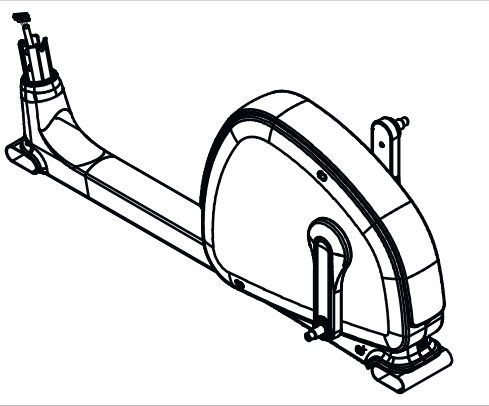
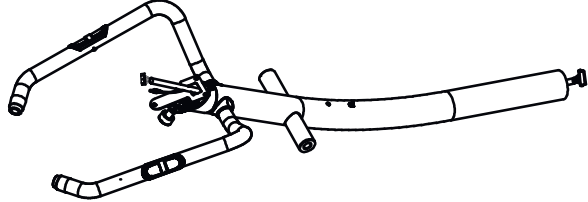
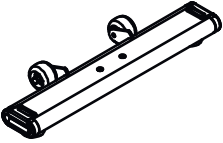
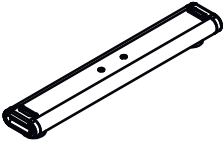
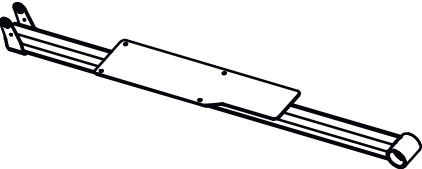
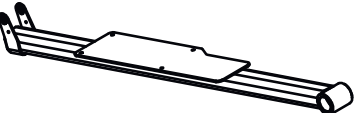
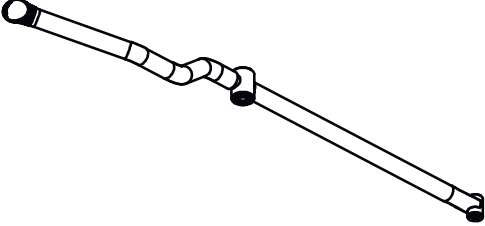
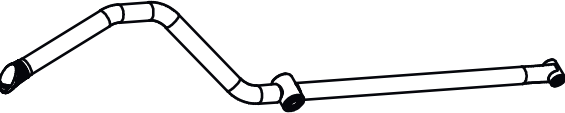
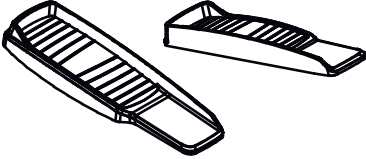






- Please read this Owner's manual before assembling this product.
- Bitte lesen Sie dieses Handbuch durch, bevor Sie mit er Montage dieses Produkts beginnen.
- Veuillez lire ce manuel avant de commencer le montage de ce produit.
- Leest u deze handleiding voordat u dit apparaat installeert.
- Lea este manual antes de montar este producto
- Läs bruksanvisningen innan du monterar denna produkt
- Lue tämä käsikirja ennen kokoamista tuotetta



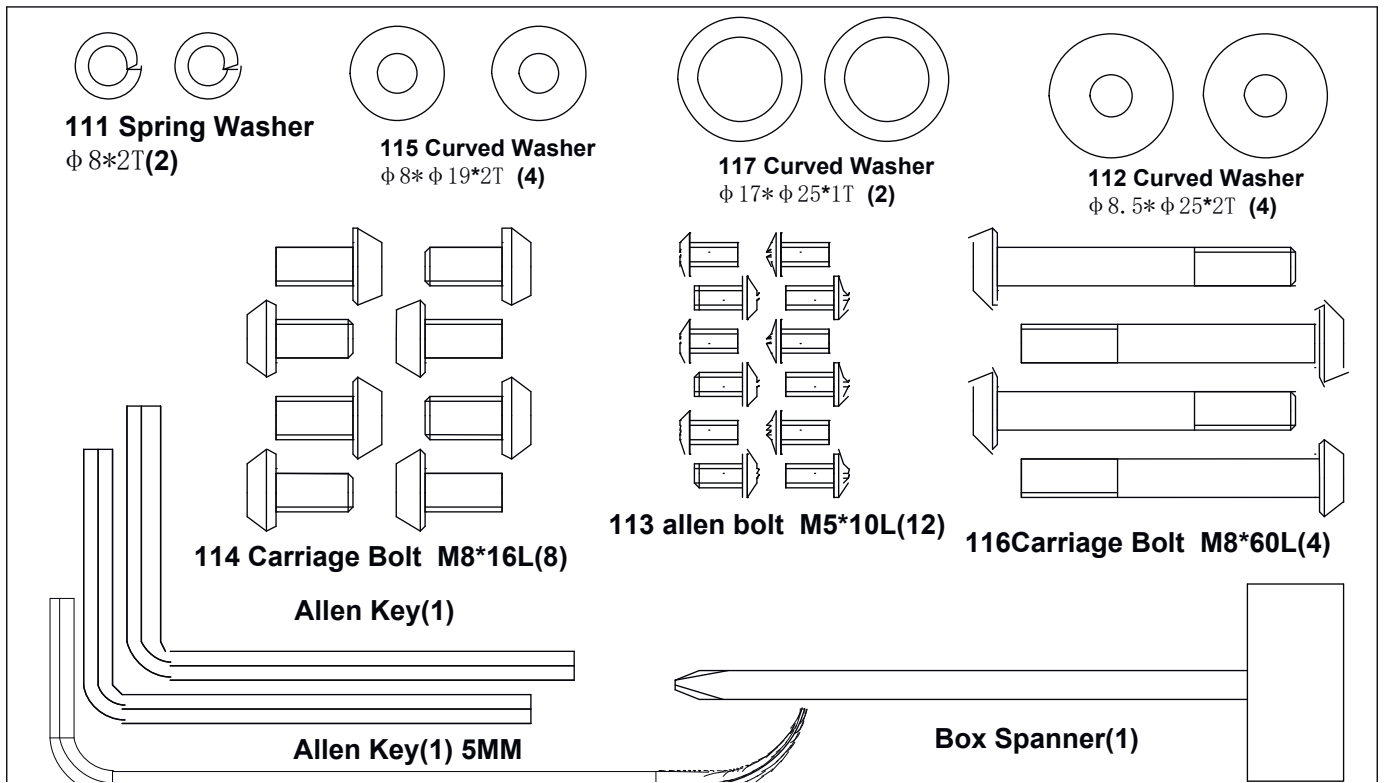
A



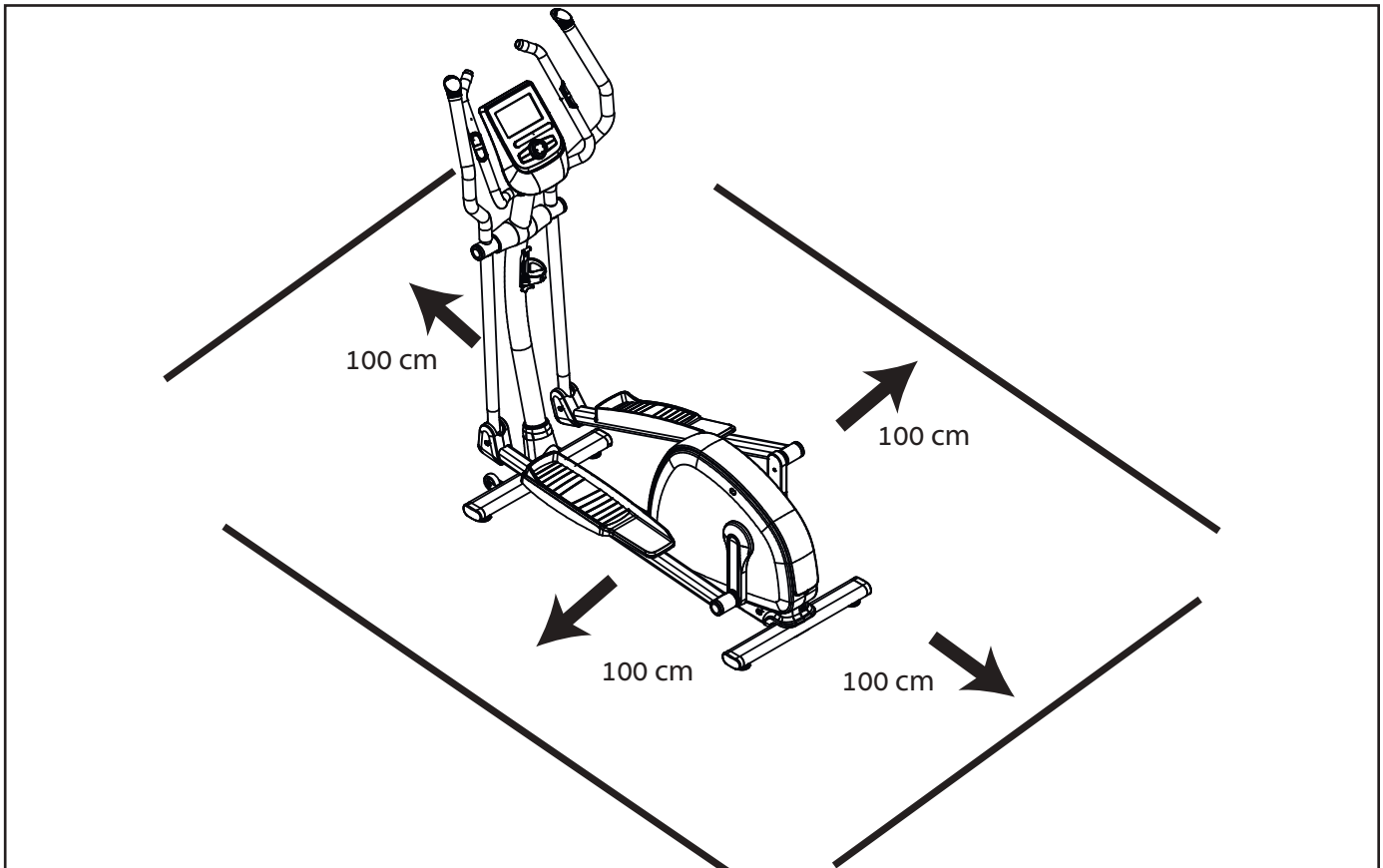
**B**

1		1	
1		1	
1		1	
1		1	
1/1		1/1/1	
2/2		2/2	
2/1		1	
1/1			

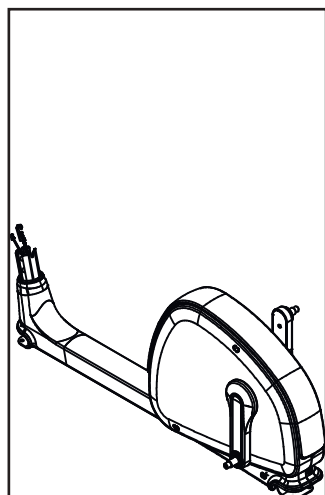
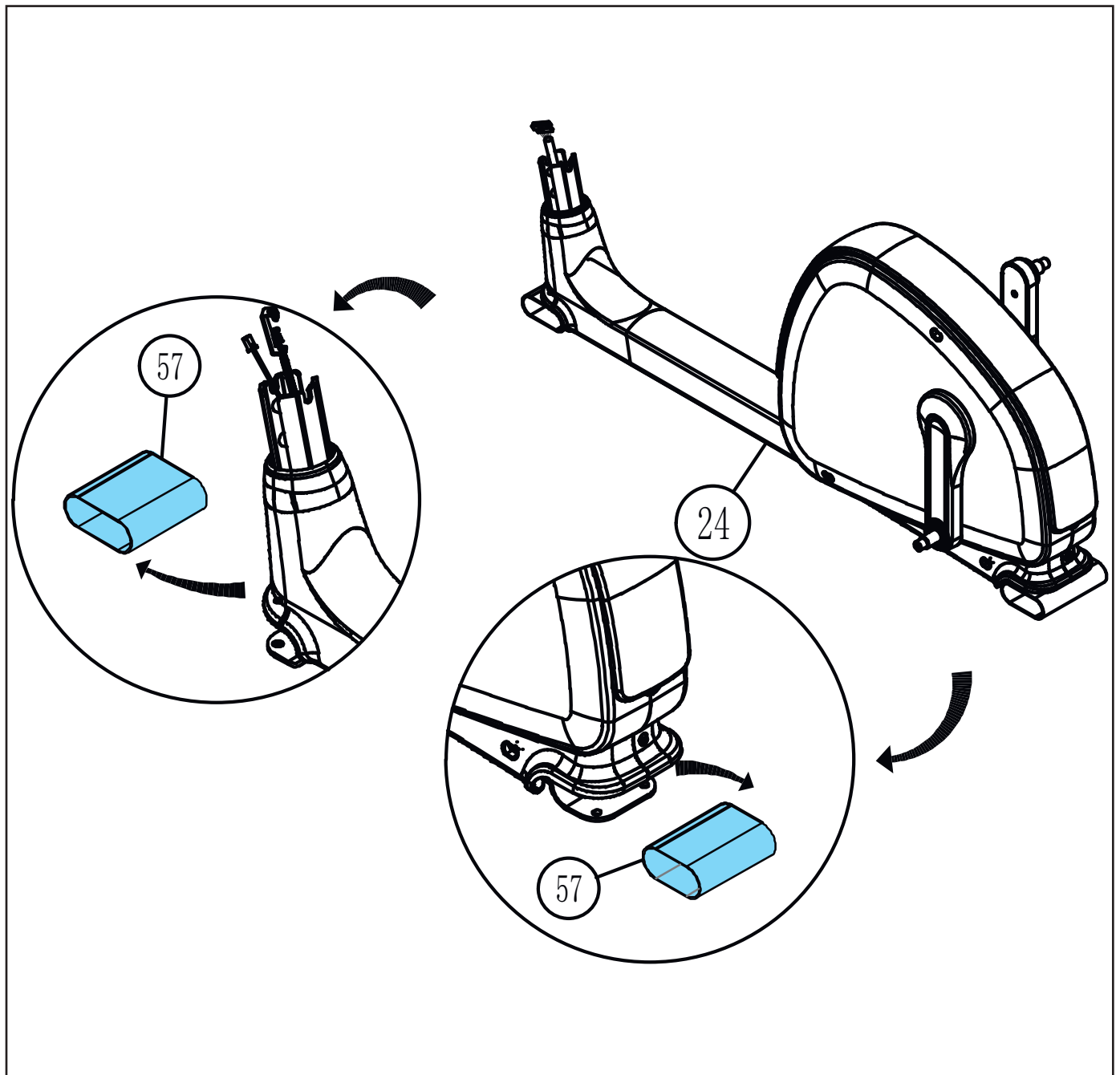
C



D-0

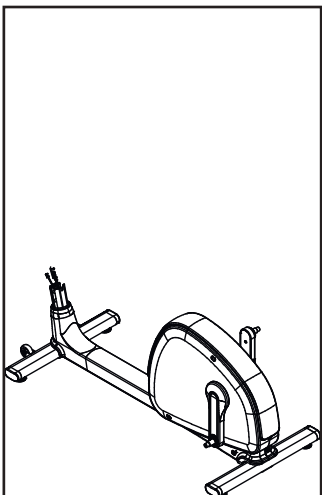
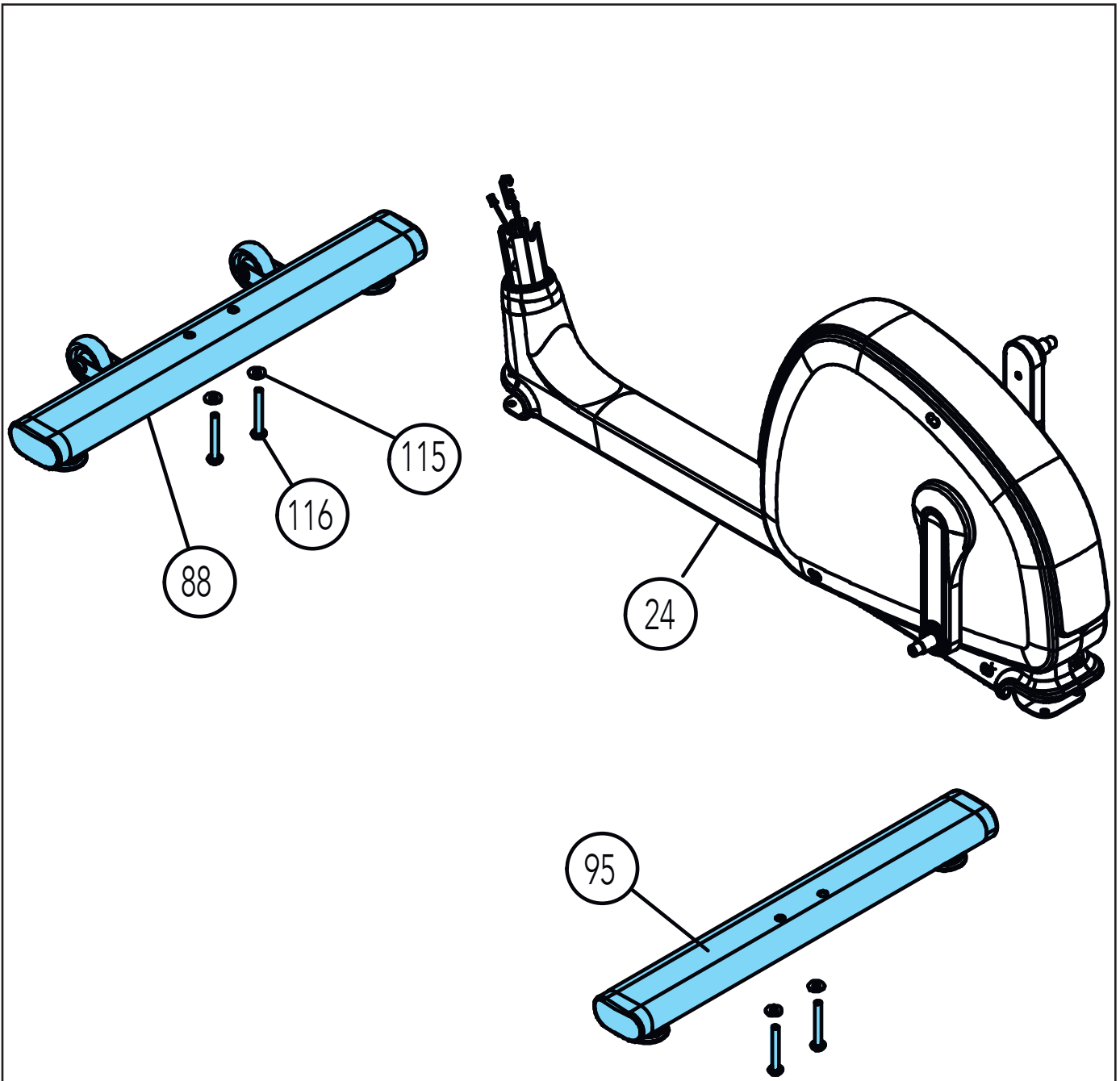






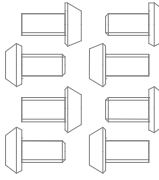
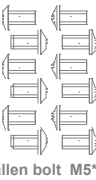
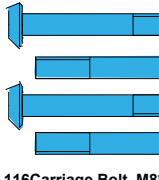
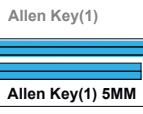
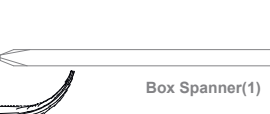

# D-1



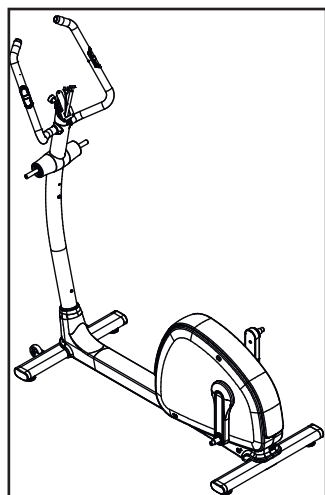
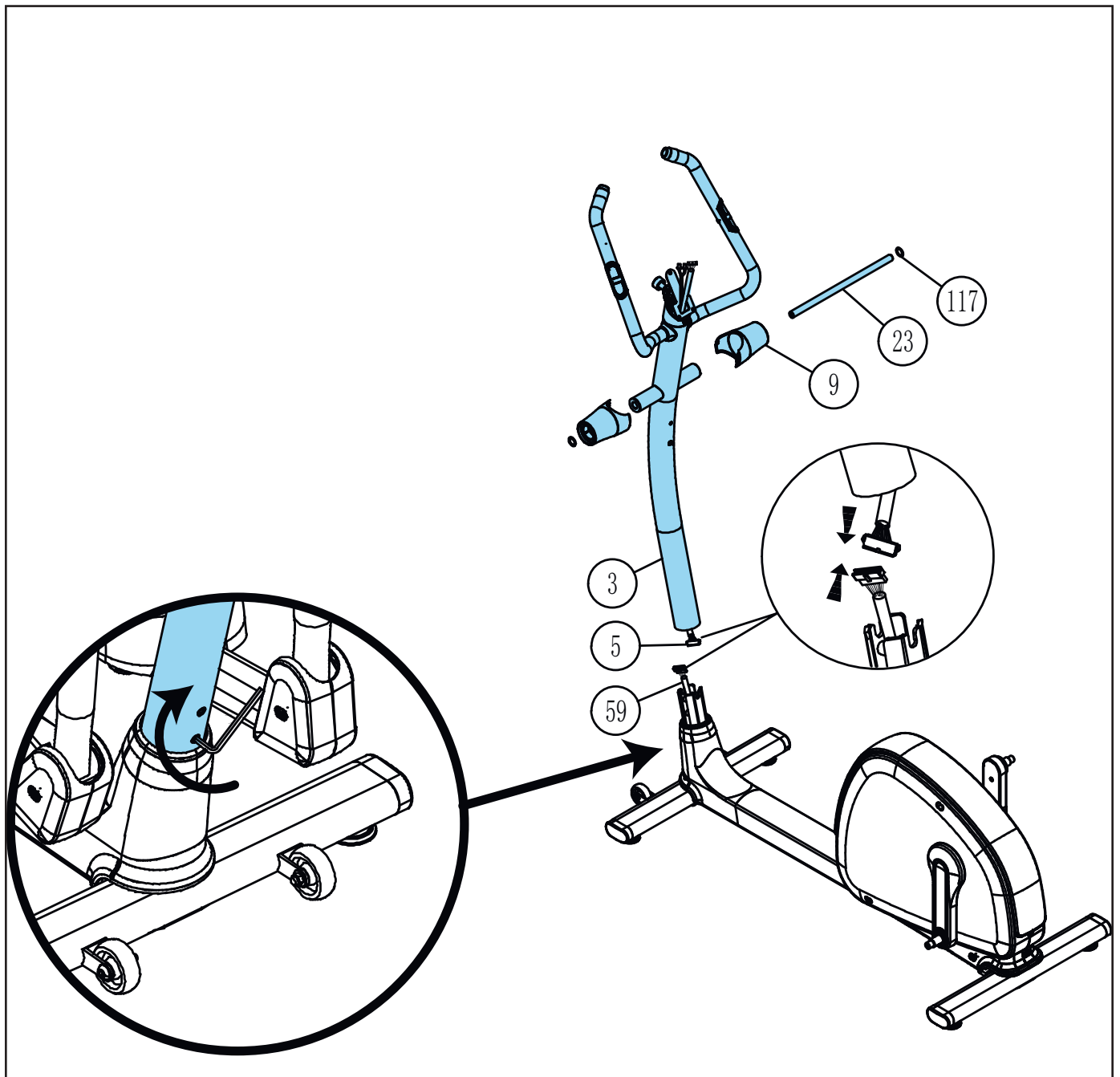
<p><b>111 Spring Washer</b> φ 8*2T(2)</p>	<p><b>115 Curved Washer</b> φ 8*φ 19*2T (4)</p>	<p><b>117 Curved Washer</b> φ 17*φ 25*1T (2)</p>	<p><b>112 Curved Washer</b> φ 8.5*φ 25*2T (4)</p>
<p><b>114 Carriage Bolt M8*16L(8)</b></p>	<p><b>113 allen bolt M5*10L(12)</b></p>	<p><b>116 Carriage Bolt M8*60L(4)</b></p>	
<p><b>Allen Key(1)</b></p>	<p><b>Allen Key(1) 5MM</b></p>	<p><b>Box Spanner(1)</b></p>	

D-2



			
<b>111 Spring Washer</b> φ 8*2T (2)	<b>115 Curved Washer</b> φ 8*φ 19*2T (4)	<b>117 Curved Washer</b> φ 17*φ 25*1T (2)	<b>112 Curved Washer</b> φ 8, 5*φ 25*2T (4)
			
<b>114 Carriage Bolt M8*16L(8)</b>	<b>113 allen bolt M5*10L(12)</b>	<b>116 Carriage Bolt M8*60L(4)</b>	
<b>Allen Key(1)</b>		<b>Allen Key(1) 5MM</b>	
			

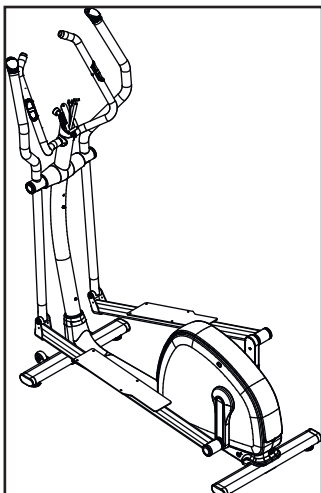
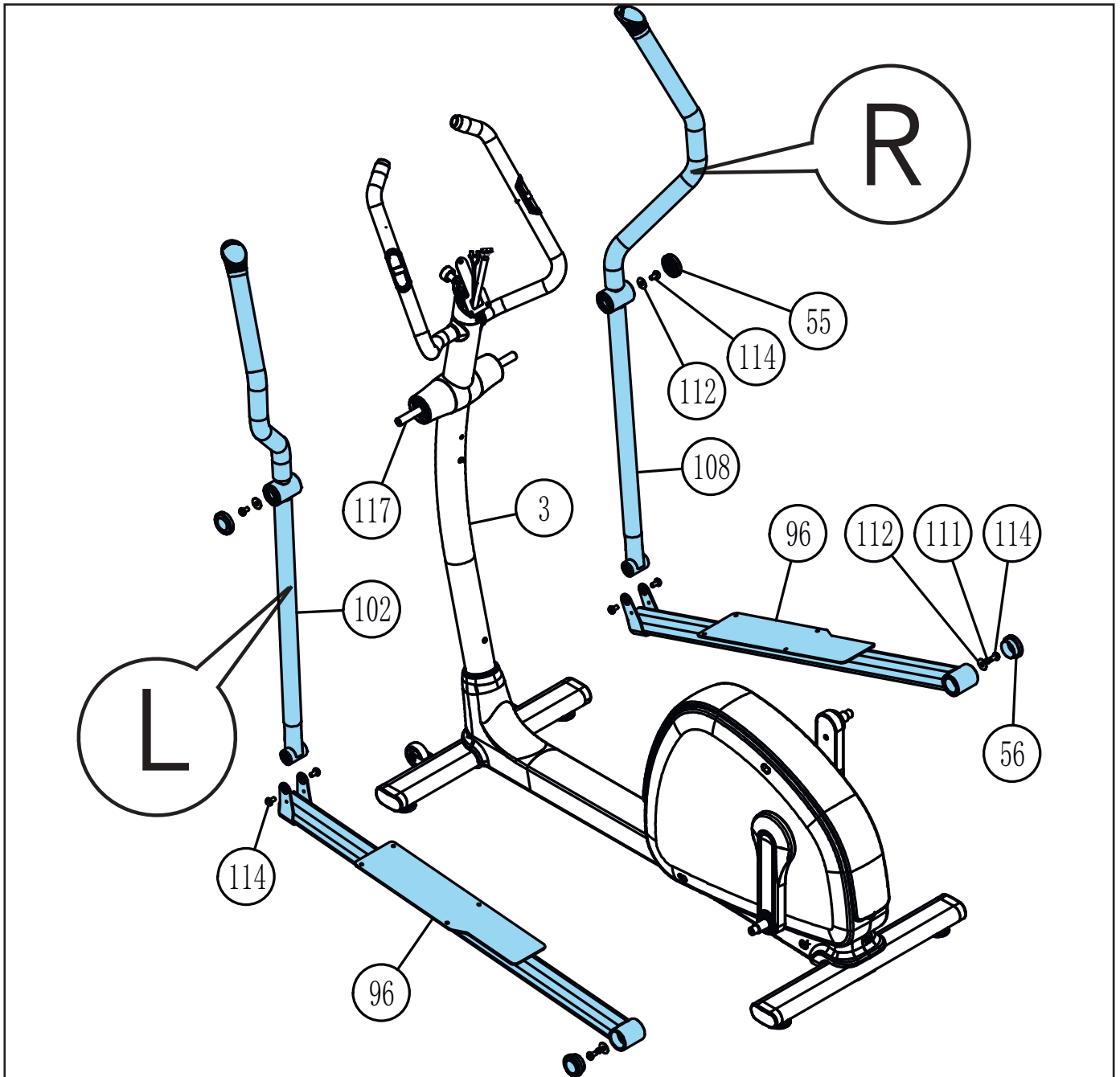
# D-3



<p>111 Spring Washer φ 8*2T(2)</p>	<p>117 Curved Washer φ 17*φ 25*1T (2)</p>	<p>112 Curved Washer φ 8.5*φ 25*2T (4)</p>
<p>114 Carriage Bolt M8*16L(8)</p>	<p>113 allen bolt M5*10L(12)</p>	
<p>Allen Key(1)</p>	<p>Allen Key(1) 5MM</p>	<p>Box Spanner(1)</p>



D-4

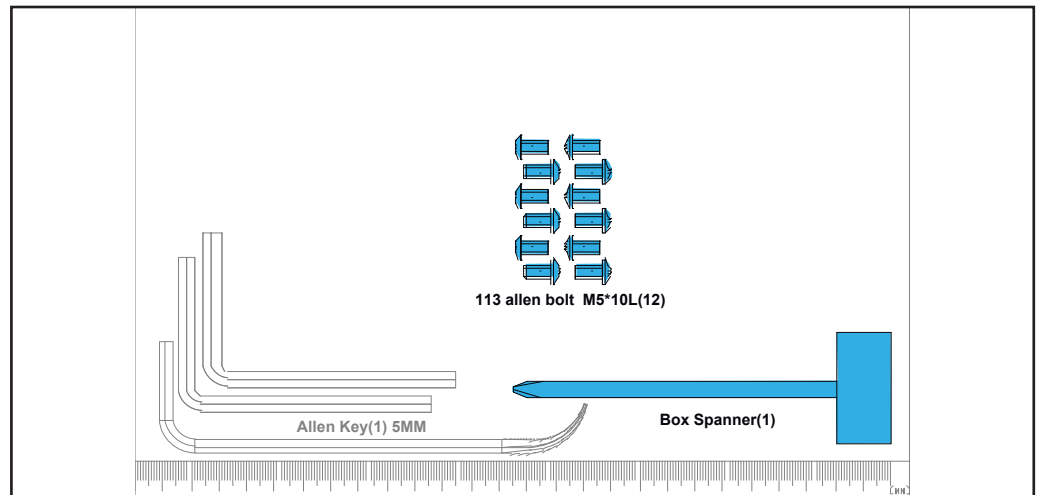
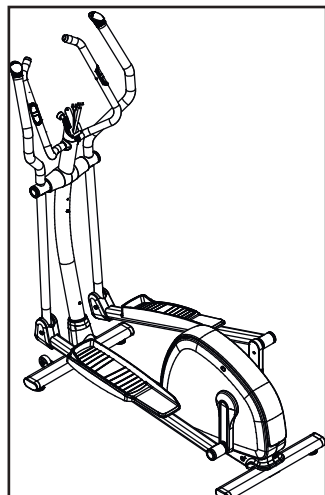
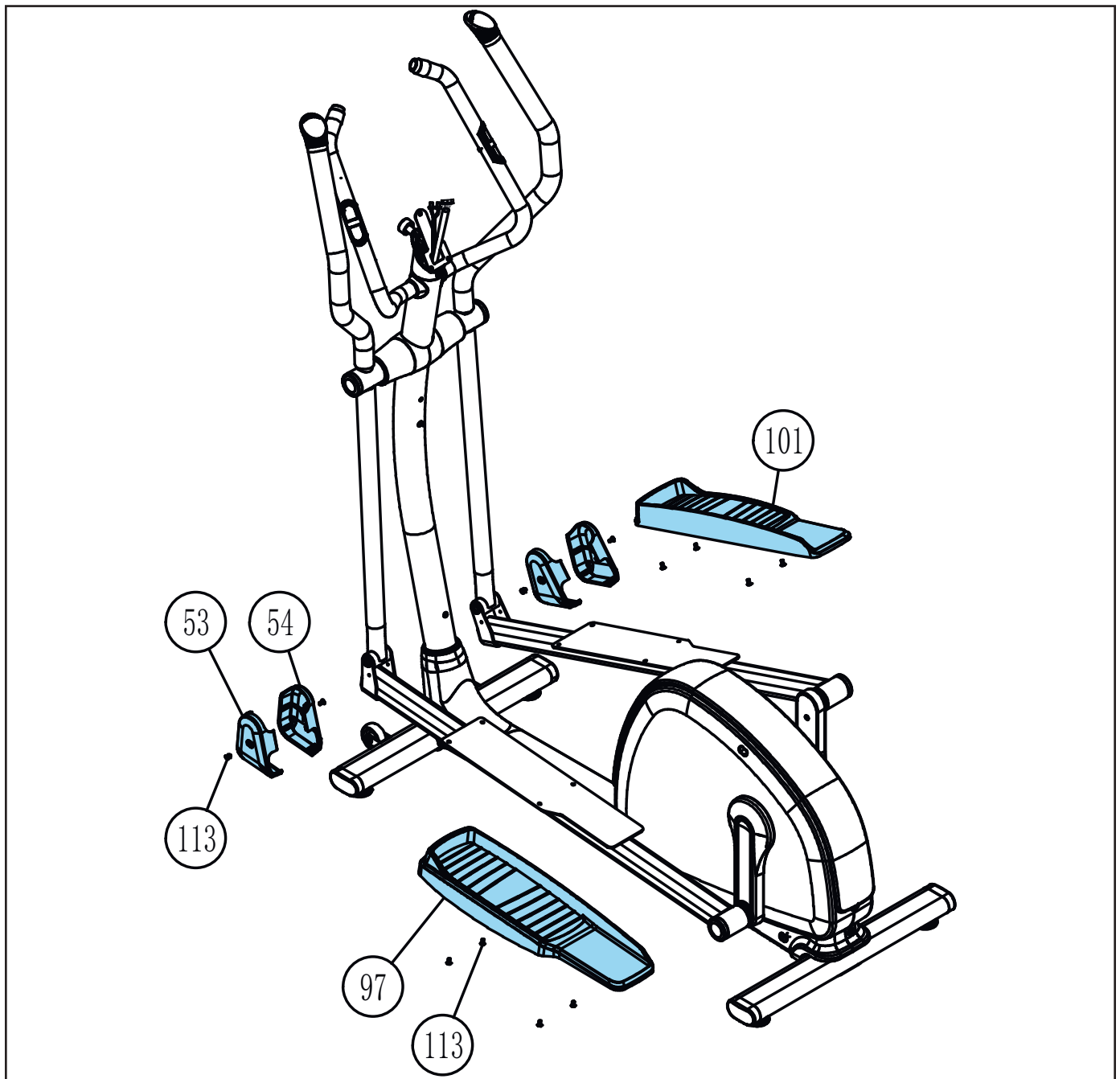


Parts list diagram showing the required hardware for this step:

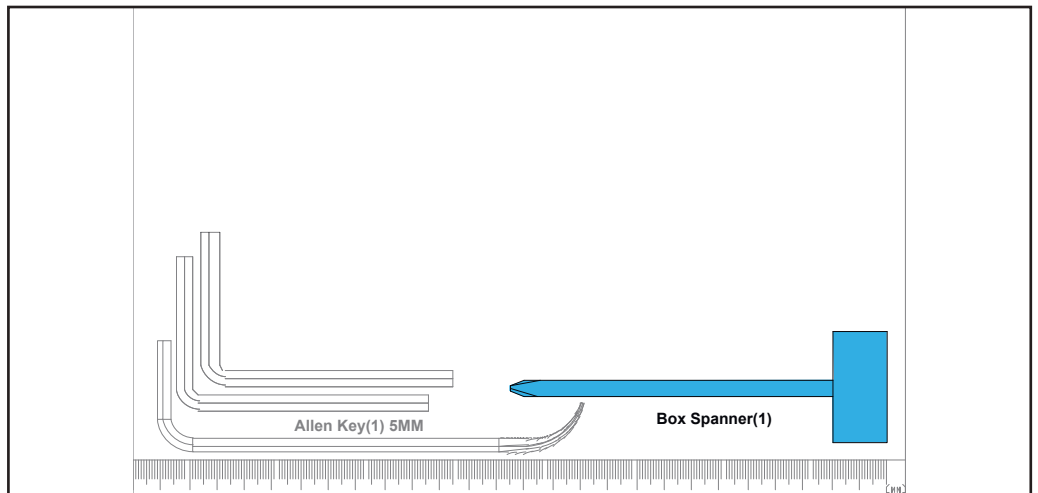
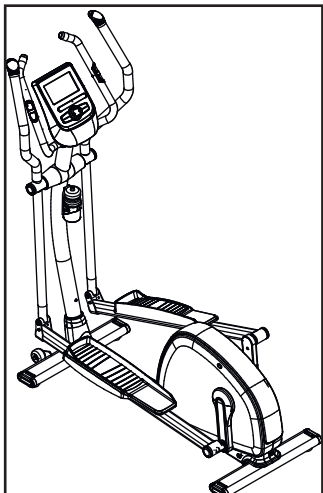
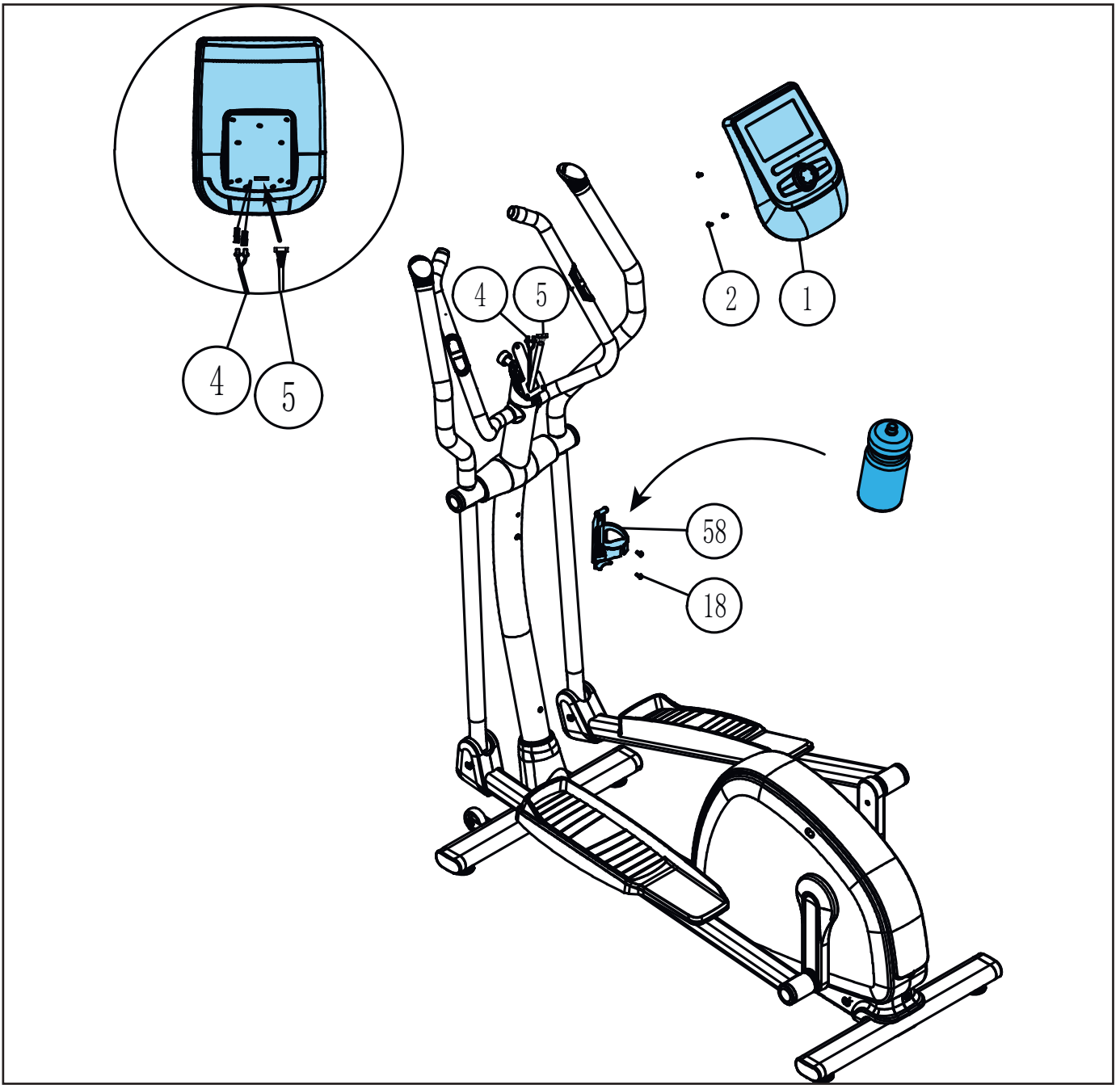
- 111 Spring Washer  $\phi 8 \times 2T(2)$
- 112 Curved Washer  $\phi 8.5 \times \phi 25 \times 2T(4)$
- 114 Carriage Bolt M8\*16L(8)
- 113 allen bolt M5\*10L(12)
- Allen Key(1)
- Allen Key(1) 5MM
- Box Spanner(1)

The diagram also includes a ruler for scale and a small inset showing the side arm assembly.

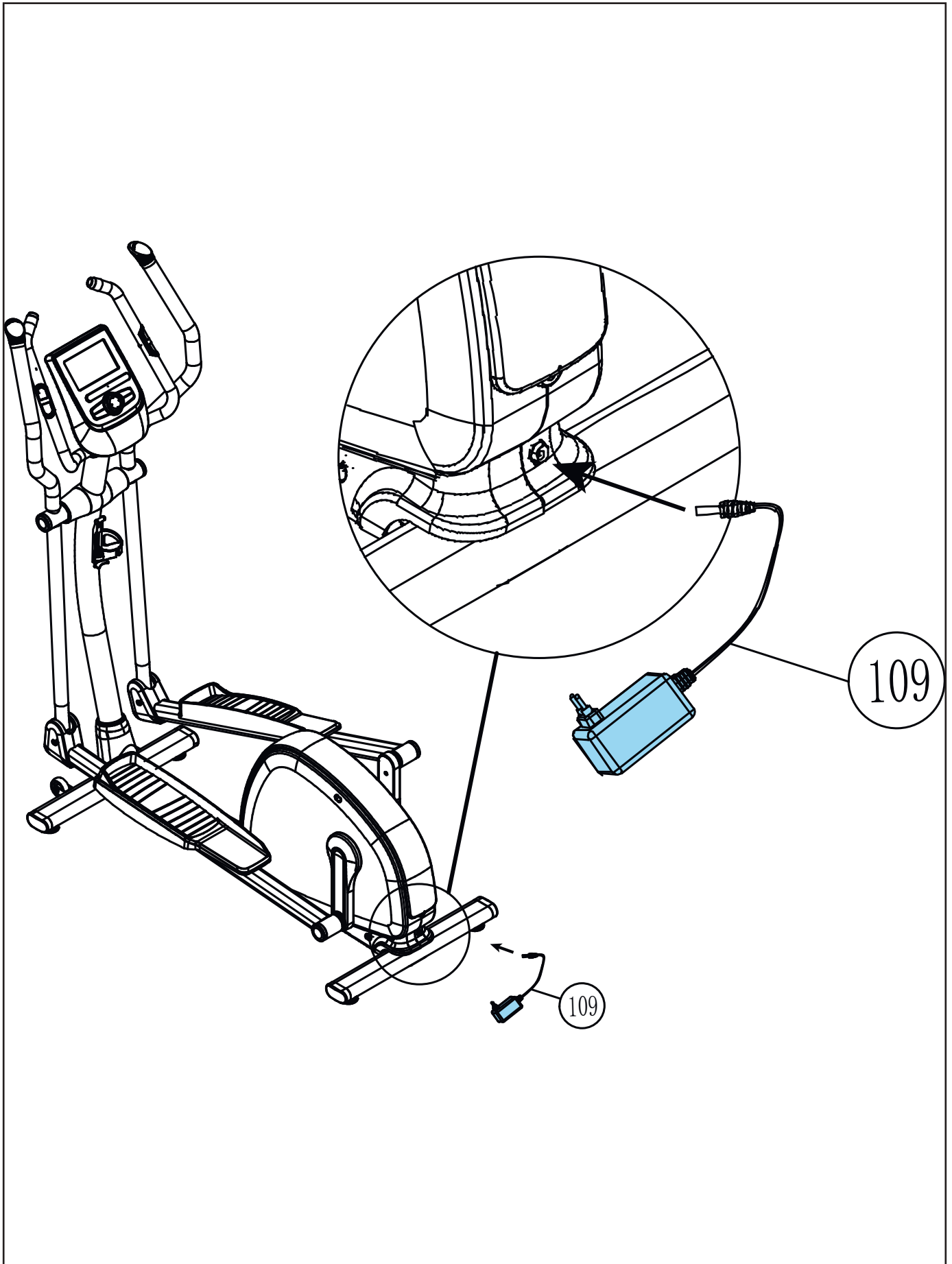
# D-5



# D-6



E



F-01



F-06



F-02



F-07



F-03



F-08



F-04



F-09

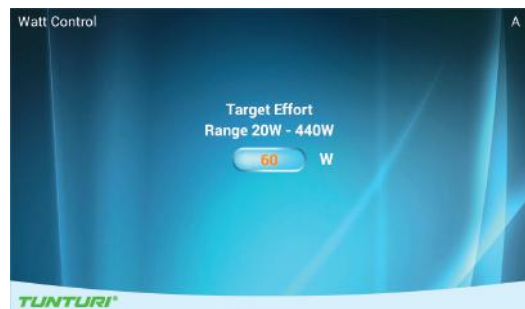


F-05

Last Session	
Distance:	3.37 km
Training Time:	00:09:02
Max Speed:	22.5 km/h
Average Speed:	22.5 km/h
Max HR:	0 bpm
Average HR:	0 bpm
Energy Expenditure:	66 kcal
Average Effort:	78 watt

OK

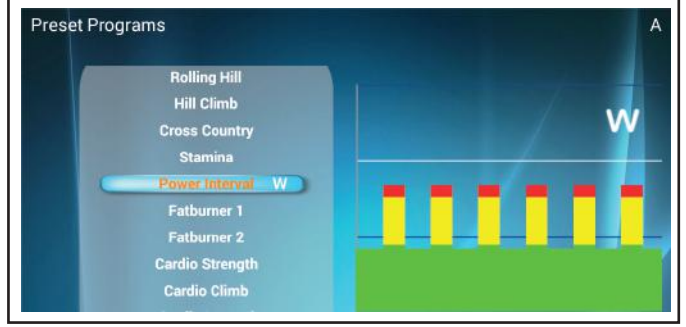
F-10



F-11



F-16



F-12



F-017



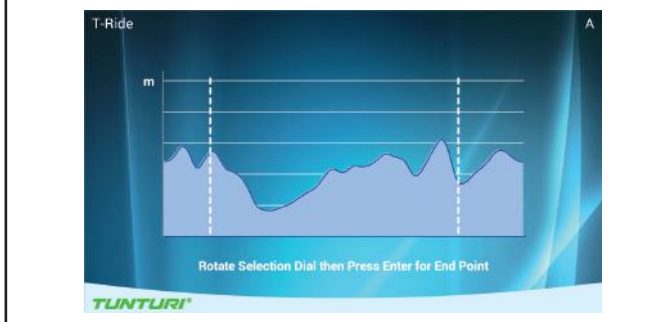
F-13



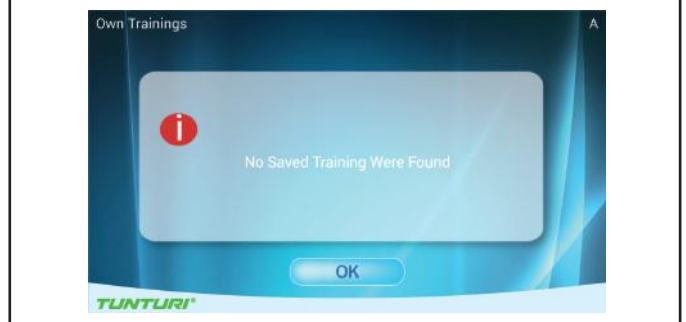
F-18



F-14



F-19



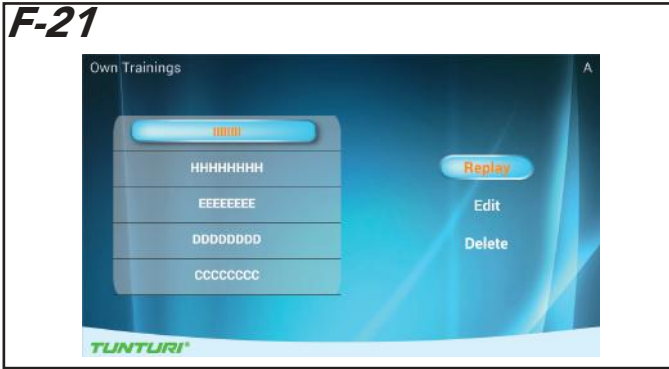
F-15



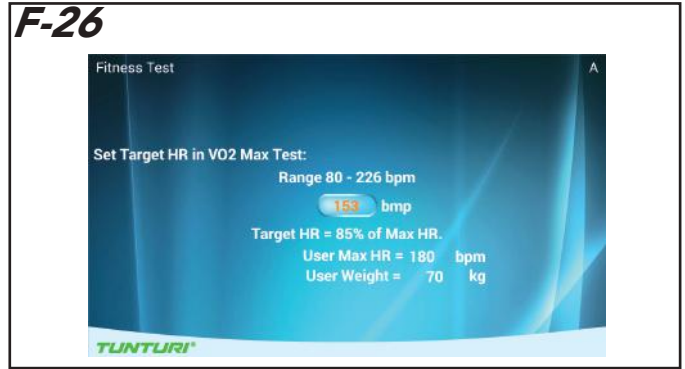
F-20



F-21



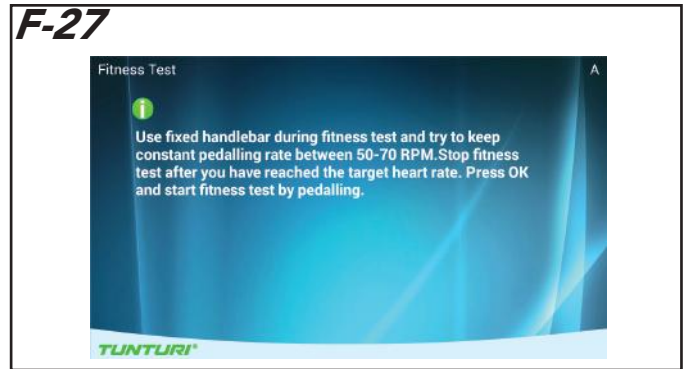
F-26



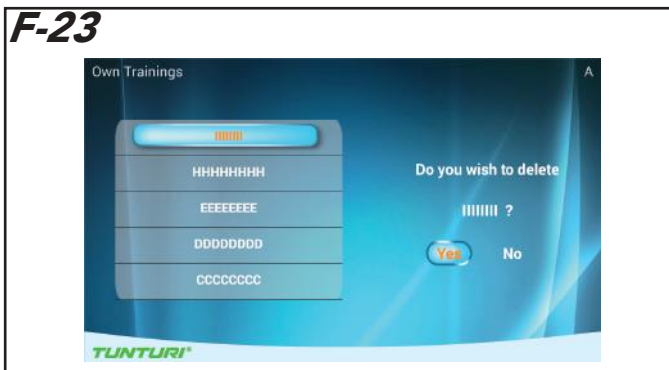
F-22



F-27



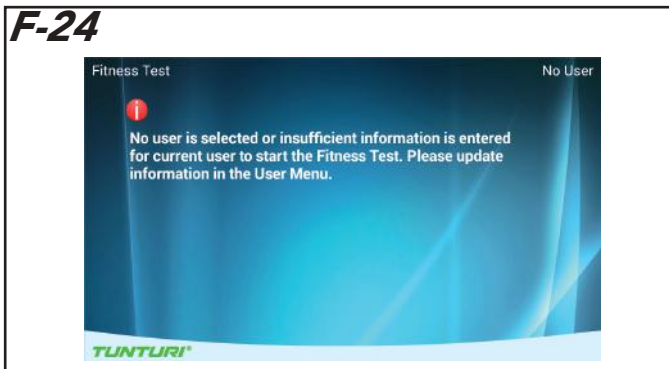
F-23



F-28



F-24



F-29



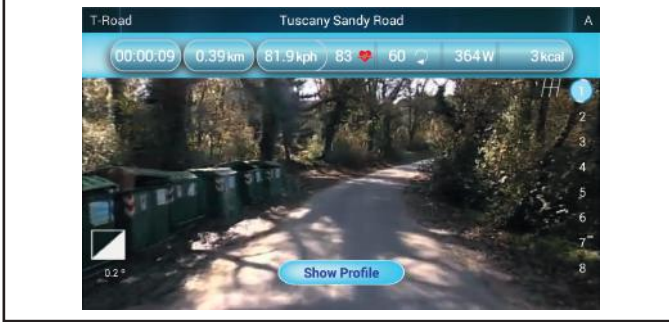
F-25



F-30



**F-31**



**F-36**



**F-32**



**F-37**



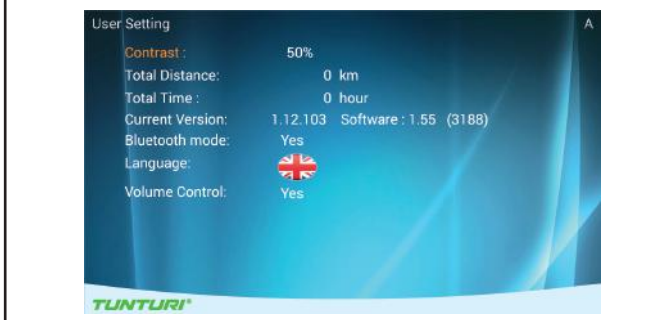
**F-33**



**F-34**



**F-35**





## Index

<b>Crosstrainer</b> .....	<b>17</b>
<b>Safety warnings</b> .....	<b>17</b>
Electrical safety	18
Description (fig. A)	18
Package contents (fig. B & C)	18
Assembly (fig. D)	18
<b>Workouts</b> .....	<b>18</b>
<b>Use</b> .....	<b>19</b>
Power supply (Fig. E)	19
<b>Console (fig F)</b> .....	<b>20</b>
Explanation of buttons	20
Operation	20
<b>Programs</b> .....	<b>21</b>
Quick start	21
End your workout	21
Target heart rate	21
Manual...	21
Watt constant	22
T-Ride.....	22
Preset Programme	22
Own Trainings	23
Fitness test	23
T-Road ...	24
T-Trainer.	24
<b>User settings</b> .....	<b>25</b>
User Log	25
User setting	25
Edit User	25
Delete User	26
Change user	26
Create user	26
Mode BT (Bluetooth)	26
<b>Cleaning and maintenance</b> .....	<b>26</b>
Defects and malfunctions	26
<b>Transport and storage</b> .....	<b>27</b>
<b>Technical data</b> .....	<b>27</b>
<b>Warranty</b> .....	<b>27</b>
<b>Declaration of the manufacturer</b> .....	<b>28</b>
<b>Disclaimer</b> .....	<b>28</b>

## Crosstrainer

Welcome to the world of Tunturi New Fitness!

Thank you for purchasing this piece of Tunturi equipment. Tunturi offers a wide range of home fitness equipment, including crosstrainers, treadmills, exercise bikes and rowers. The Tunturi equipment is suitable for the entire family, no matter what fitness level. For more information, please visit our website [www.tunturi.com](http://www.tunturi.com)

## Safety warnings



### WARNING

*Read the safety warnings and the instructions. Failure to follow the safety warnings and the instructions can cause personal injury or damage to the equipment. Keep the safety warnings and the instructions for future reference.*

- The equipment is suitable for domestic and professional use only (e.g. hospitals, fire stations, hotels, schools etc.). Max. usage is limited to 6 hrs a day. The equipment is not suitable for full commercial use (e.g. large gyms).
- The use of this equipment by children or persons with a physical, sensory, mental or motorial disability, or lack of experience and knowledge can give cause to hazards. Persons responsible for their safety must give explicit instructions or supervise the use of the equipment.
- Before starting your workout, consult a physician to check your health.
- If you experience nausea, dizziness or other abnormal symptoms, immediately stop your workout and consult a physician.
- To avoid muscular pain and strain, start each workout by warming up and finish each workout by cooling down. Remember to stretch at the end of the workout.
- The equipment is suitable for indoor use only. The equipment is not suitable for outdoor use.
- Only use the equipment in environments with adequate ventilation. Do not use the equipment in draughty environments in order not to catch a cold.
- Only use the equipment in environments with ambient temperatures between 10 °C and 35 °C. Only store the equipment in environments with ambient temperatures between 5 °C and 45 °C.
- Do not use or store the equipment in humid surroundings. The air humidity must never be more than 80%.
- Only use the equipment for its intended purpose. Do not use the equipment for other purposes than described in the manual.

- Do not use the equipment if any part is damaged or defective. If a part is damaged or defective, contact your dealer.
- Keep your hands, feet and other body parts away from the moving parts.
- Keep your hair away from the moving parts.
- Wear appropriate clothing and shoes.
- Keep clothing, jewelry and other objects away from the moving parts.
- Make sure that only one person uses the equipment at a time. The equipment must not be used by persons weighing more than 135 kg (300 lbs).
- Do not open equipment without consulting your dealer.

## Electrical safety

(Only for equipment with electric power)

- Before use, always check that the mains voltage is the same as the voltage on the rating plate of the equipment.
- Do not use an extension cable.
- Keep the mains cable away from heat, oil and sharp edges.
- Do not alter or modify the mains cable or the mains plug.
- Do not use the equipment if the mains cable or the mains plug is damaged or defective. If the mains cable or the mains plug is damaged or defective, contact your dealer.
- Always fully unwind the mains cable.
- Do not run the mains cable underneath the equipment. Do not run the mains cable underneath a carpet. Do not place any objects on the mains cable.
- Make sure that the mains cable does not hang over the edge of a table.
- Make sure that the mains cable cannot be caught accidentally or tripped over.
- Do not leave the equipment unattended when the mains plug is inserted into the wall socket.
- Do not pull the mains cable to remove the mains plug from the wall socket.
- Remove the mains plug from the wall socket when the equipment is not in use, before assembly or disassembly and before cleaning and maintenance.

## Description (fig. A)

Your Crosstrainer is a piece of stationary fitness equipment used to simulate cycling without causing excessive pressure to the joints.

## Package contents (fig. B & C)

- The package contains the parts as shown in fig. B.
- The package contains the fasteners as shown in fig. C. Refer to the section "Description"



### NOTE

If a part is missing, contact your dealer.

## Assembly (fig. D)



### WARNING

- Assemble the equipment in the given order.
- Carry and move the equipment with at least two persons.



### CAUTION

- Place the equipment on a firm, level surface.
- Place the equipment on a protective base to prevent damage to the floor surface.
- Allow at least 100 cm of clearance around the equipment.
- Refer to the illustrations for the correct assembly of the equipment.



### NOTE

- Save the tools provided with this product, after you completed the product assembly, for future service purposes.

## Workouts

The workout must be suitably light, but of long duration. Aerobic exercise is based on improving the body's maximum oxygen uptake, which in turn improves endurance and fitness. You should perspire, but you should not get out of breath during the workout.

To reach and maintain a basic fitness level, exercise at least three times a week, 30 minutes at a time. Increase the number of exercise sessions to improve your fitness level. It is worthwhile to combine regular exercise with a healthy diet. A person committed to dieting should exercise daily, at first 30 minutes or less at a time, gradually increasing the daily workout time to one hour. Start your workout at low speed and low resistance to prevent the cardiovascular system from being subjected to excessive strain.

As the fitness level improves, speed and resistance can be increased gradually. The efficiency of your exercise can be measured by monitoring your heart rate and your pulse rate.

### Pulse rate measurement (hand pulse sensors)

The pulse rate is measured by sensors in the handlebars when the user is touching both sensors at the same time. Accurate pulse measurement requires that the skin is slightly moist and constantly touching the hand pulse sensors.

If the skin is too dry or too moist, the pulse rate measurement will become less accurate.



#### NOTE

- Do not use the hand pulse sensors in combination with a heart rate chest belt.
- If you set a heart rate limit for your workout, an alarm will sound when it is exceeded.

### Heart rate measurement (heart rate chest belt)

The most accurate heart rate measurement is achieved with a heart rate chest belt. The heart rate is measured by a heart rate receiver in combination with a heart rate transmitter belt. Accurate heart measurement requires that the electrodes on the transmitter belt are slightly moist and constantly touching the skin. If the electrodes are too dry or too moist, the heart rate measurement will become less accurate.



#### WARNING

*If you have a pacemaker, consult a physician before using a heart rate chest belt.*



#### CAUTION

- If there are several heart rate measurement devices next to each other, make sure that the distance between them is at least 1.5 metres.
- If there is only one heart rate receiver and several heart rate transmitters, make sure that only one person with a transmitter is within transmission range.



#### NOTE

- Do not use a heart rate chest belt in combination with the hand pulse sensors.
- Always wear the heart rate chest belt under your clothes directly in contact with your skin. Do not wear the heart rate chest belt above your clothes. If you wear the heart rate chest belt above your clothes, there will be no signal.
- If you set a heart rate limit for your workout, an alarm will sound when it is exceeded.
- The transmitter transmits the heart rate to the console up to a distance of 1 metre. If the electrodes are not moist, the heart rate will not appear on the display.
- Some fibers in clothes (e.g. polyester, polyamide) create static electricity which can prevent accurate heart rate measurement.
- Mobile phones, televisions and other electrical appliances create an electromagnetic field which can prevent accurate heart rate measurement.

### Maximum heart rate (during training)

The maximum heart rate is the highest heart rate a person can safely achieve through exercise stress. The following formula is used to calculate the average maximum heart rate:  $220 - \text{AGE}$ . The maximum heart rate varies from person to person.



#### WARNING

- Make sure that you do not exceed your maximum heart rate during your workout. If you belong to a risk group, consult a physician.

### Beginner 50-60% of maximum heart rate

Suitable for beginners, weight-watchers, convalescents and persons who have not exercised for a long time. Exercise at least three times a week, 30 minutes at a time.

### Advanced 60-70% of maximum heart rate

Suitable for persons who want to improve and maintain fitness. Exercise at least three times a week, 30 minutes at a time.

### Expert 70-80% of maximum heart rate

Suitable for the fittest of persons who are used to long-endurance workouts.

## Use

---

### Adjusting the support feet

The equipment is equipped with 4 support feet. If the equipment is not stable, the support feet can be adjusted.

- Turn the support feet as required to put the equipment in a stable position.
- Tighten the locknuts to lock the support feet.

### Power supply (Fig. E)

---

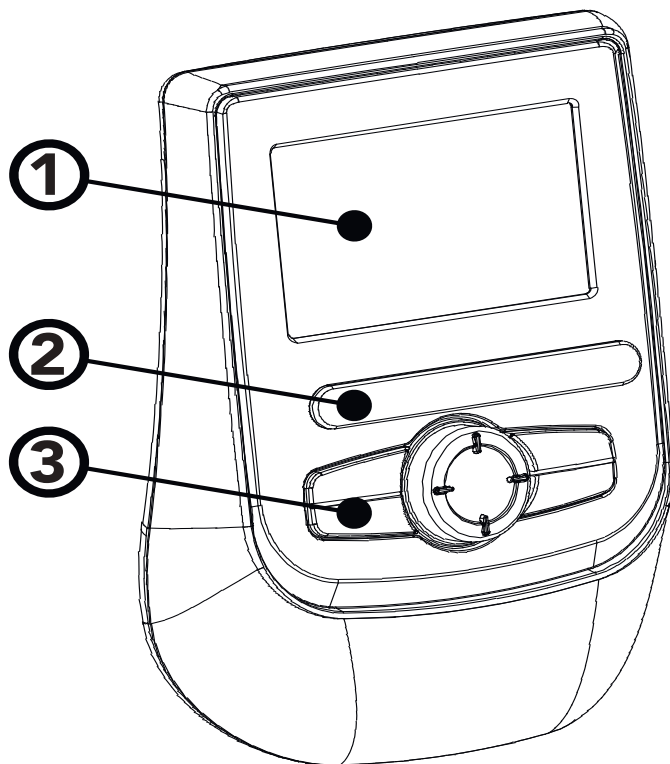
The trainer is powered by an external power supply. Refer to the illustration to locate the trainer power



#### NOTE

- Connect the power supply with the trainer before connecting it to the wall outlet.
- Always remove power cord when machine is not in use.

## Console (fig F)



1. Display
2. Tablet/ book support
3. Buttons



### CAUTION

- Keep the console away from direct sunlight.
- Dry the surface of the console when it is covered with drops of sweat.
- Do not lean on the console.
- Only touch the display with the tip of your finger. Make sure that your nails or sharp objects do not touch the display.



### NOTE

- The console switches to standby mode when the equipment is not used for 4 minutes. If the console is in standby mode, the display shows the room temperature

## Explanation of buttons

### BACK/ STOP

- Move back to previous window
- Stop the active training

### QUICK START

- Start training without present settings. All workout information will count up.

### MAIN MENU

- It will go back to main menu.
- During training, sets console in "end your workout" mode.

### USER SETTING

- Press this button to enter User/Setting mode screen
- This button is of no use during workout

### MODE/ ENTER

#### Turn functions

- Choose workout mode in main menu
- User/setting mode option selection
- Choose working item on the setting screen
- Increase or decrease the setting value
- Adjusting target value (high/low) during workout
- Shift up or down during T-Ride™ or T-Road workout

#### Horizontal

- Turning clockwise to choose option rightward.
- Turning counter-clockwise for leftward

#### Vertical

- Turning clockwise to shift up.
- Turning counter-clockwise to shift down

#### Press functions:

- Sport mode confirmation
- Option confirmation under User/Setting mode
- Confirmation of working item on setting screen
- Setting value confirmation
- Screen switching between BPM-NM or BPM-W during workout
- Screen switching between BPM-M or BPM-FT during T-Ride™
- Screen switching between Video - Profile during T-Road
- Switching to next tutoring mode during T-Trainer™

### External connections

#### USB port

Usb port can be used for:

- USB charge point.
- Service purposes such as software update.



#### NOTE

- USB format should not be NTFS

## Operation

### Power on

- Press any key to power on the console when being in sleep mode..

After loading the application (fig. F-01) the user interface will be show main menu screen (fig. F-02).

Trainer is now ready to start your workout programming or just select quick start and begin.

## Programs

### Quick start

- Turn the jog wheel and select "Quick start"
- Press the jog wheel to confirm and enter the workout screen quickly.

(fig. F-03)

The X axis denote time in minutes between 0~30. It is updated once every 15 minutes during workout

- During workout, press the jog wheel button to switch the Y-axis between Nm- bpm.
- The bar chart denotes torque value Nm. Rotate the jog wheel to adjust the Nm value.
- The white dot line shows current position, which moves rightward as workout time increases. The workout screen could show 5-hour data at most.

### End your workout

The workout end screen pops up when Back/stop or Main menu is pressed or when the white dot line reaches the target value. (Fig. F-04)

#### Continue:

Choose "Continue" to return to workout screen

#### Exit:

Choose "Exit" to exit to last session screen.

#### Save&Exit:

Choose "Save&Exit" and enter a file name at the bottom of the screen: use the jog wheel to select A~Z or 0~9, save all workout data and name the file for a new workout mode.

#### Last session (fig. F-05)

Display the workout data in Last session screen. Press the jog wheel button to return to main menu.

### Target heart rate

- Turn the jog wheel and select "Target HR"
- Press the jog wheel to confirm and enter the Setting screen (Fig. F-06)
- Turn the jog wheel to adjust target heart rate value. (The percentage varies with bpm value)
- Press the jog wheel to confirm and enter the Setting screen (Fig F-07)
- Turn jog wheel to select item

- Press the jog wheel button for confirmation and continue the range setting at the right.
- Turn jog wheel to change setting ranges
- Press the jog wheel button to confirm and enter the Workout screen. (Fig. F-08)

The X-axis unit is shown according to the selection of Energy/Time/Distance in Set screen:

Energy Unit:	kcal
Time Unit:	min
Distance Unit:	km in metric mile in Imperial

- During workout, press the jog wheel button to switch the Y-axis between W - bpm
- The bar chart denotes target heart rate value bpm. Rotate the jog wheel to adjust the target heart rate value.
- The white dot line shows current position, which moves rightward as calorie /time/distance increases.
- The orange curve shows the user's actual heart rate, which varies as the heart rate frequency goes up and down.
- The blue curve shows the actual Watt value.
- Console programming: Assist the user to achieve the target according to its target heart rate input during workout. When actual heart rate is higher than target value, the system would decrease Watt value; while increases Watt value when actual heart rate is below target value.
- A message of "No Heart Rate" is shown if the user's heart rate is not detected during workout.

To stop your workout see:

"End your workout"

### Manual

- Turn the jog wheel and select "Manual"
- Press the jog wheel to confirm and enter the Setting screen (Fig. F-09).
- Turn jog wheel to select item
- Press the jog wheel button for confirmation and continue the range setting at the right.
- Turn jog wheel to change setting ranges
- Press the jog wheel button to confirm and enter the Workout screen. (Fig. F-03)

The X axis denote time in minutes between 0~30. It is updated once every 15 minutes during workout

- During workout, press the jog wheel button to switch the Y-axis between Nm- bpm.
- The bar chart denotes torque value Nm. Rotate the jog wheel to adjust the Nm value.
- The white dot line shows current position, which moves rightward as workout time increases. The workout screen could show 5-hour data at most.

To stop your workout see:  
"End your workout"

## Watt constant

- Turn the jog wheel and select "Watt Constant"
- Press the jog wheel to confirm and enter the Setting screen (Fig.F-10).
- Turn the jog wheel to adjust target Watt value.
- Press the jog wheel to confirm and enter the Setting screen (2) (Fig. F-11)
- Turn jog wheel to select item
- Press the jog wheel button for confirmation and continue the range setting at the right.
- Turn jog wheel to change setting ranges
- Press the jog wheel button to confirm and enter the Workout screen (Fig. F-12)

The X-axis unit is shown according to the selection of Energy/Time/Distance in Set screen.

Energy Unit: kcal  
Time Unit: min  
Distance Unit: km in metric  
mile in Imperial

- During workout, press the jog wheel button to switch the Y-axis between Nm - bpm
- The bar chart denotes the Watt value. Rotate the jog wheel to adjust the Watt value
- The white dot line shows current position, which moves rightward as calorie /time/distance increases
- The orange curve shows the user's actual heart rate, which varies as the heart rate frequency goes up and down
- Console programming: Assist the user to achieve the target according to its target Watt value input during workout. When actual Watt value > target value, the system would decrease Watt value; while increases Watt value when actual Watt rate < target value.

To stop your workout see:  
"End your workout"

## T-Ride

- Turn the jog wheel and select "T-ride"
- Press the jog wheel to confirm and enter the Setting screen (Fig F-13).
- Turn the jog wheel to select between: Top and Down - Trail - Easy Ride - Marathon - Short Loop
- Press the jog wheel to confirm and enter the Setting screen (2) (Fig. F-14)
- Set up the Startup point of Workout: rotate the jog wheel button to adjust the left white dot line, press the jog wheel button for confirmation.

- Set up the Ending point of Workout: rotate the jog wheel button to adjust the right white dot line, press the jog wheel button for confirmation then enter the Workout screen. (Fig. F-15)

The X-axis is shown as distance unit, km in metric and mile in Imperial

- During workout, press the jog wheel button to switch the Y-axis between m-bpm in metric, ft-bpm in imperial
- The white dot line shows current position, which moves rightward as distance increases
- In the right of the screen is the gear shift from 1~8, Turn the jog wheel button to switch
- The white icon + 0° in the left bottom of the screen shows the incline level and it varies with the Profile incline level change.
- The Last Session screen shows workout data. Press the jog wheel button to return to Main menu

To stop your workout see:  
"End your workout"

## Preset Programme

- Turn the jog wheel and select "Preset Programs"
- Press the jog wheel to confirm and enter the Setting screen (Fig. F-16).
- Turn the jog wheel to select between:
- Watt control: Rolling Hills - Hill Climb - Cross Country - Stamina - Power Interval items and, Heart Rate Control: Fat burner 1 - Fat burner 2 - Cardio Strength - Cardio Climb - Cardio Interval
- Press the jog wheel to confirm and enter the Setting screen (2) (Fig. F-17)
- Turn jog wheel to select item
- Press the jog wheel button for confirmation and continue the range setting at the right.
- Turn jog wheel to change setting ranges
- Press the jog wheel button to confirm and enter the Workout screen. (Fig F-18)
- Turn jog wheel to select item
- Press the jog wheel button for confirmation and continue the range setting at the right.
- Turn jog wheel to change setting ranges
- Press the jog wheel button to confirm and enter the Workout screen.



### NOTE

#### Workout screen:

Workout screen is depending on the trainings mode you are in.

#### Nm manual mode

It's the same as Manual mode

## Watt Constant Mode

It's the same as Preset programs Watt Mode

## Target HR Mode

It's the same as Preset programs Heart Rate Mode

To stop your workout see:  
"End your workout"

## Own Trainings

- Turn the jog wheel and select "Own trainings"
- Press the jog wheel to confirm and enter the Setting screen (1). (Fig. F-20)



### NOTE

- When no saved trainings are found (fig. F-19) window will appear.
- Press jog wheel to go back to main menu.

Setting Screen (1) is for user's saved items and training records.

They are shown in the right and left screen.

- Turn jog wheel to select item
- Press the jog wheel button to confirm and to open selection window. (Fig. F-21)
- Turn the jog wheel and select item (Fig. F-22)

## Choose "Replay"

- Press jog wheel button to confirm.  
Enter workout screen and continue the previous training

## Choose "Edit"

- Press jog wheel to confirm
- Enter and edit the range setting
- Press jog wheel button to confirm and to enter workout screen

## Choose "Delete"

- Turn jog wheel to select item
- Press the jog wheel button to confirm and to open selection window.
- Choose Yes to delete selected file, choose no not delete selected file. (Fig. F23)
- Press jog wheel button to confirm.

## Fitness test

- Turn the jog wheel and select "Fitness test"
- Press the jog wheel to confirm and enter the Setting screen (1).



### NOTE

- User interface needs the user's data to process Fitness test, if no any user data available Fitness test cannot start up. ( Fig. F-24)
  - Press jog wheel to go back to main menu
- Turn jog wheel to select item
  - (Inactive / Active / Athletic mode) (Fig. F-25)
  - Press the jog wheel button to confirm and to open setting screen (2) (Fig F-26)
  - Turn jog wheel set up user's target heart rate within Vo2 Max value.  
(The range is between 68~220bpm.)  
default: 85% of Max HR and shows user's Max HR (bpm) and weight (kg)
  - Press the jog wheel button to confirm and to open information window (Fig. F-27)
  - Press the jog wheel button to confirm and to open Workout screen.

*Workout screen:*

*It's the same as Preset programs Heart Rate Mode.*

The screen shows

### "Test Failed ! if:

- The workout time is too short
- RPM value is too low
- HR target is not reached
- HR is less than 110 bpm

### "No Heart Rate detected"if:

- It doesn't detect the user's heart rate  
Press Back/stop or Main menu button to leave the workout screen

### "Target HR reached! Stop test or Continue"

- User has achieves the target.
- Press the jog wheel button to end the test and show workout data screen

Workout data screen (Fig. F-28)

Press jog wheel to go to VO2 Max test result screen (Fig. F-29)

- Press jog wheel to go back to main menu

To stop your workout see:

"End your workout"

**VO2 Max test result table.**

Men/ Maximal oxygen update (VO2MAX)							
1 = very poor / 7 = Excellent							
Age	1	2	3	4	5	6	7
18-19	<33	33-38	39-44	45-51	52-57	58-63	>63
20-24	<32	32-37	38-43	44-50	51-56	57-62	>62
25-29	<31	31-35	36-42	43-48	49-53	54-59	>59
30-34	<29	29-34	35-40	41-45	46-51	52-56	>56
35-39	<28	28-32	33-38	39-43	44-48	49-54	>54
40-44	<26	26-31	32-35	36-41	42-46	47-51	>51
45-49	<25	25-29	30-34	35-39	40-43	44-48	>48
50-54	<24	24-27	28-32	33-36	37-41	42-46	>46
55-59	<22	22-26	27-30	31-34	35-39	40-43	>43
60-65	<21	21-24	25-28	29-32	33-36	37-40	>40

Women/ Maximal oxygen update (VO2MAX)							
1 = very poor / 7 = Excellent							
Age	1	2	3	4	5	6	7
18-19	<28	28-32	33-37	38-42	43-47	48-52	>52
20-24	<27	27-31	32-36	37-41	42-46	47-51	>51
25-29	<26	26-30	31-35	36-40	41-44	45-49	>49
30-34	<25	25-29	30-33	34-37	38-42	43-46	>46
35-39	<24	24-27	28-31	32-35	36-40	41-44	>44
40-44	<22	22-25	26-29	30-33	34-37	38-41	>41
45-49	<21	21-23	24-27	28-31	32-35	36-38	>38
50-54	<19	19-22	23-25	26-29	30-32	33-36	>36
55-59	<18	18-20	21-23	24-27	28-30	31-33	>33
60-65	<16	16-18	19-21	22-24	25-27	28-30	>30

**T-Road**

- Turn the jog wheel and select "T-Road"
- Press the jog wheel to confirm and enter the Setting screen (Fig. F-30).

There are 3 selectable tracks available. Knowing: Tuscany Sandy Road/ Tuscany Scenrey Road/ Tuscany Country Road.

- Turn the jog wheel and select your training track
- Press the jog wheel to confirm and enter the workout video screen.
- Press the jog wheel during workout to switch between Video (fig. F-31) and Profile (Fig. F-32)screen.

**In profile screen:**

- The white dot line shows current position, which moves rightward as workout time increases.
- The orange curve shows the user's actual heart rate, which varies as the heart rate frequency goes up and down

**In video screen:**

- In the right of the screen is the gear shift from 1~8, use the jog wheel button to switch
- The white icon + 0° in the left bottom of the screen shows the incline level and it varies with the Profile incline level change.
- Press Back/stop, Main menu or the white dot line reaches the target value can leave the workout screen

To stop your workout see: "End your workout"

**T-Trainer****NOTE**

This function is available for Cross trainer models only.

- Turn the jog wheel and select "T-Trainer"
- Press the jog wheel to confirm and enter the workout screen, starting with Free Ride interval mode.

**Workout screen.**

- Shows training mode for 10 seconds and then switches to Workout Mode
- There are six Training Modes:
- Knowing: Arm Push/ Arm Pull/ Forward Pedal/ Backward Pedal/ Forward Lean/ Squat
- Between each Training mode there is a 1 minute Free Ride interval. (Fig. F-36)



- The cue message in the screen: "Slow down"/ "Speed up"/ "Speed ok" informs the user to speed up or slow down.
- When pressing the jog wheel button the program switch to the next Training Mode without prompt message.
- The X axis denote time in minutes between 0~30. It is updated once every 15 minutes during workout screen:
- The Y-axis unit is Nm
- The bar chart show torque value Nm. Rotate the jog wheel to adjust the Nm value
- The white dot line shows current position, which moves rightward as workout time increases. The workout screen could show 5-hour data at most
- The orange curve shows the user's actual heart rate, which varies as the heart rate frequency goes up and down
- The upper right corner of screen shows the final countdown time of current active Training mode, it resets when switches to the next Training mode.
- The bottom left corner of screen shows cue message: Slow down/ Speed up/ Speed ok to remind the user to speed up or slow down
- Press Back/stop, Main menu button to leave the workout screen

Training mode screen (Fig. 37)

To stop your workout see:  
"End your workout"

## User settings

Press "User/Settings" button to enter the User/Settings main menu.

- Use the jog wheel to select one of the six available items.
- Press the jog wheel button for confirmation to enter the selected item setting screen

## User Log

By selecting the "User Log" you can: view the training data of the selected user.

You can view either the last training session data or a summary of all the user's sessions. (fig. F-33)

Exit the training data by pressing  
BACK/STOP.

## User setting

By selecting the "User Setting" you can:

- Adjust the brightness (Default=50%)
- Check the total mileages of the machine.
- Check the total used time for the machine.
- Check the default firmware and software version of Console
- Change language
- Select button beep sound on(yes) or off (NO)

User setting window. (Fig. F-35)

## How to modify settings

- Turn jog wheel to select changeable item.
- Press jog wheel to open selected item in right side of the screen for edit..
- Turn jog wheel to change value of selected.
- Press jog wheel to confirm change.
- Turn jog wheel to select next item, or use Back/ Stop button to go back to setting menu.

## Edit User

By selecting the Edit User you can edit: (Fig. F-34)

### User name:

Turn jog wheel and select "Name"

Press jog wheel to open "Name" edit.

Turn jog wheel to select letter

Press jog wheel to confirm

Turn jog wheel to select next letter

When name is edit correctly than select "√" to confirm name and go back to Edit user Menu

### Units, Display

- Turn jog wheel and select "Units"
- Press jog wheel to open "Units" edit
- Turn jog wheel to select  
Metric: show units in km/kph/Kcal  
Imperial: show units in mile/mph/kcal
- Press jog wheel to confirm and go back to Edit user Menu

### Display

- Turn jog wheel and select "Display"
- Press jog wheel to open "Display" edit
- Turn jog wheel to select  
Count up: preset time/ distance will be counting up  
Count Down: preset time/ distance will be counting down.
- Press jog wheel to confirm and go back to Edit user Menu

## Gender

- Turn jog wheel and select "Gender"
- Press jog wheel to open "Gender" edit
- Turn jog wheel to select Male/ Female
- Press jog wheel to confirm and go back to Edit user Menu

## Age

- Turn jog wheel and select "Age"
- Press jog wheel to open "Age" edit
- Turn jog wheel to change age
- Press jog wheel to confirm and go back to Edit user Menu

## Height

- Turn jog wheel and select "Height"
- Press jog wheel to open "Height" edit
- Turn jog wheel to change Height  
In cm when units in Metric  
In ft/inch when units in Imperial.
- Press jog wheel to confirm and go back to Edit user Menu

## Weight

- Turn jog wheel and select "Weight"
- Press jog wheel to open "Weight" edit
- Turn jog wheel to change Weight  
In kg when units in Metric  
In lbs when units in Imperial.
- Press jog wheel to confirm and go back to Edit user Menu

## Max HR

- Turn jog wheel and select "Max HR"
- Press jog wheel to open "Max HR" edit
- Turn jog wheel to change default max HR preset as:  
when selected Male : 220-age  
when selected female : 226-age
- Press jog wheel to confirm and go back to Edit user Menu

## Delete User

By selecting the "Delete User" you can:  
Delete a user and all its data.

- Turn jog wheel and select the user you want to delete
- Press jog wheel to delete the selected user and go back to setting menu.



### NOTE

- User will be deleted without further prompting

## Change user

By selecting the "Change User" you can:

- Select an other pre-set user profile.
- Turn jog wheel and select the user you want to activate
- Press jog wheel to confirm the selected user and go back to setting menu.

## Create user

By selecting the "Create User" you can set up a new user profile. Maximum of 8 users can be installed.  
See Edit user on how to create user.

## Mode BT (Bluetooth)

Rotation the jog wheel button to choose BT Mode ,and press the button into BT mode.

### BT Connection

The Bluetooth Module will be turned on and connect BT device automatically when being in this mode.

Press the jog wheel button or back button to leave this page ,and Bluetooth Module will be turned off.

## Cleaning and maintenance

The equipment does not require special maintenance.  
The equipment does not require recalibration when it is assembled, used and serviced according to the instructions.



### WARNING

- Do not use solvents to clean the equipment.
- Clean the equipment with a soft, absorbent cloth after each use.
- Regularly check that all screws and nuts are tight.
- If necessary, lubricate the joints.

## Defects and malfunctions

Despite continuous quality control, defects and malfunctions caused by individual parts can occur in the equipment. In most cases, it will be sufficient to replace

the defective part.

- If the equipment does not function properly, immediately contact the dealer.
- Provide the model number and the serial number of the equipment to the dealer. State the nature of the problem, conditions of use and purchase date.

## Transport and storage



### **WARNING**

- Carry and move the equipment with at least two persons.
- Remain standing in front of the equipment on each side and take a sturdy grip at the handlebars. Tilt the front of the equipment so as to lift the rear of the equipment on the wheels. Move the equipment and carefully put the equipment down. Place the equipment on a protective base to prevent damage to the floor surface.
- Move the equipment carefully over uneven surfaces. Do not move the equipment upstairs using the wheels, but carry the equipment by the handlebars.
- Store the equipment in a dry place with as little temperature variation as possible.

## Technical data

Parameter	Unit of measurement	Value
Length	cm	146
	inch	57.5
Width	cm	67
	inch	26.4
Height	cm	164
	inch	64.6
Weight	kg	65.9
	lbs	145
Max. user weight	kg	135
	lbs	300
Adapter Voltage	V	26V-DC
Current	Ma.	2.3 A

## Warranty

### Tunturi purchaser's warranty

#### Warranty terms

The consumer is entitled to the applicable legal rights stated in the national legislation concerning the commerce of consumer goods. This warranty does not restrict these rights. The Purchaser's Warranty is only valid if the item is used in an environment approved by Tunturi New Fitness BV for that particular equipment. The product-specific approved environment is stated in the Owner's Manual provided with your equipment.

#### Warranty conditions

The warranty conditions commence from the date of purchase. Warranty conditions may vary per country, so please consult your local dealer for the warranty conditions.

#### Warranty coverage

Under no circumstances shall Tunturi New Fitness BV or the Tunturi Distributor be liable by virtue of this warranty or otherwise for any special, indirect, secondary or consequential damages of any nature arising out of any use or inability to use this equipment.

#### Warranty limitations

This warranty covers manufacturing defects in the fitness equipment as originally packed by Tunturi New Fitness BV. The warranty shall apply only under conditions of normal, recommended use of the product as described in the Owner's Manual and providing that Tunturi New Fitness BV's instructions for installation, maintenance and use have been complied with. Neither Tunturi New Fitness BV's nor the Tunturi Distributors' obligations apply to defects due to reasons beyond their control. The warranty applies only to the original purchaser and is valid only in countries where Tunturi New Fitness BV has an authorised importer. The warranty does not extend to fitness equipment or components that have been modified without the consent of Tunturi New Fitness BV. Defects resulting from normal wear, misuse, abuse, corrosion, or damage incurred during loading or transportation are not covered.

The warranty does not cover sounds or noises emitted during use where these do not substantially impede the use of the equipment and where they are not caused by a fault in the equipment. The warranty does not cover defects arising from the failure to carry periodic maintenance as outlined within the Owner's Manual for the product. Furthermore, the warranty does not cover defects arising from usage and storage within an unsuitable environment as described within the Owner's Manual which should be indoors, dry, dust and grit free and within a temperature range of +15°C to +35°C. The warranty does not cover maintenance activities, such as cleaning, lubricating, and normal part adjustments, nor installation

procedures that customers can accomplish themselves, such as changing uncomplicated meters, pedals and other similar parts not requiring any dismantling/ reassembling of the fitness equipment. Warranty repairs carried out by other than authorised Tunturi representatives are not covered.

Failure to follow the instructions given in the Owner's Manual will invalidate the product's warranty.

## **Declaration of the manufacturer**

---

Tunturi New Fitness BV declares that the product is in conformity with the following standards and directives: EN 957 (HB), 89/336/EEC. The product therefore carries the CE label.

01-2017

Tunturi New Fitness BV  
Purmerweg 1  
1311 XE Almere  
The Netherlands

## **Disclaimer**

---

© 2017 Tunturi New Fitness BV  
All rights reserved.

The product and the manual are subject to change.  
Specifications can be changed without further notice.

# Index

<b>Crosstrainer</b> .....	<b>29</b>
<b>Warnhinweise zur Sicherheit</b> .....	<b>29</b>
Elektrische Sicherheit	30
Beschreibung (Abb A)	30
Verpackungsinhalt (Abb. B & C)	30
Zusammenbau (Abb. D)	30
<b>Trainings</b> .....	<b>31</b>
Trainingsanleitung	31
Herzfrequenz	31
<b>Gebrauch</b> .....	<b>32</b>
Stromzufuhr (Abb. E)	32
<b>Konsole (Abb F)</b> .....	<b>33</b>
Erläuterung der Schalter	33
Bedienung	34
<b>Programme</b> .....	<b>34</b>
Schnellstart	34
Beenden des Trainings	34
Zieherzfrequenz	34
Manuell..	35
Wattsteuerung	35
T-Ride.....	35
Preset Programs	36
Eigenes Training	36
Fitnessstest	37
T-Road ...	38
T-Trainer.	38
<b>Benutzer-einstellungen</b> .....	<b>38</b>
Benutzerprotokoll	39
Benutzer bearbeiten	39
Bearbeiten	39
Benutzer Löschen	40
Benutzer ändern	40
Benutzer erstellen	40
Modus BT (Bluetooth)	40
Reinigung und Wartung	40
Störungen und Fehlfunktionen	40
<b>Transport und Lagerung</b> .....	<b>40</b>
Zusätzliche Informationen	41
<b>Technische Daten</b> .....	<b>41</b>
<b>Garantie</b> .....	<b>41</b>
<b>Herstellereklärung</b> .....	<b>42</b>
<b>Haftungsausschluss</b> .....	<b>42</b>

## Deutsch

Diese deutsche Bedienungsanleitung ist eine Übersetzung des englischen Textes. Es können keine Rechte auf diese Übersetzung abgeleitet werden.

# Crosstrainer

Willkommen in der Welt von Tunturi!

Danke, dass Sie dieses Gerät von Tunturi erworben haben. Tunturi bietet eine breite Palette an Heim-Fitnessgeräten wie beispielsweise Crosstrainer, Laufbänder, Trainingsfahrräder und Rudergeräte an. Die Tunturi Geräte sind für die ganze Familie geeignet - ganz egal, wie fit man ist. Weitere Informationen finden Sie auf unserer Website unter [www.tunturi.com](http://www.tunturi.com)

## Warnhinweise zur Sicherheit



### WARNUNG

*Lesen Sie die Warnhinweise zur Sicherheit und die Anweisungen. Werden die Warnhinweise zur Sicherheit und die Anweisungen nicht befolgt, kann dies zu Personenverletzungen und Schäden am Gerät führen. Bewahren Sie die Warnhinweise zur Sicherheit und die Anweisungen zur künftigen Bezugnahme auf.*



### WARNUNG

*Herzfrequenz-Überwachungssysteme können ungenau sein. Eine Überanstrengung kann zu schweren Schädigungen oder zum Tod führen. Wenn Sie sich schwach oder ohnmächtig fühlen, stellen Sie die Übungen unverzüglich ein.*

- Das Gerät ist nur für den Heim- und gewerblichen Gebrauch (z.B. Krankenhäuser, Feuerwachen, Hotels, Schulen, usw.) geeignet. Die maximale Verwendung ist auf 6 Stunden pro Tag beschränkt. Das Gerät ist nicht für den ausschließlichen gewerblichen Einsatz (z.B. große Fitnessstudios) geeignet.
- Wenn dieses Gerät von Kindern oder Personen mit körperlicher, sensorischer, geistiger oder motorischer Behinderung verwendet wird, oder wenn nicht genügend Erfahrung und Kenntnisse vorhanden sind, kann dies zu Gefahrensituationen führen. Personen, die für deren Sicherheit verantwortlich sind, müssen klare Anweisungen geben oder den Gebrauch des Geräts beaufsichtigen.
- Bevor Sie Ihr Training starten, nehmen Sie Kontakt mit einem Arzt auf, um Ihre Gesundheit kontrollieren zu lassen.
- Falls Sie Übelkeit, ein Schwindelgefühl oder andere anormale Symptome verspüren, hören Sie unverzüglich mit Ihrem Training auf und wenden Sie sich an einen Arzt.
- Um einen Muskelkater zu vermeiden, starten Sie



jedes Training mit Aufwärmen und beenden Sie es mit Abkühlen. Denken Sie daran, sich am Ende des Trainings zu dehnen.

- Das Gerät ist nur für den Gebrauch in geschlossenen Räumen geeignet. Das Gerät ist nicht für den Gebrauch im Freien geeignet.
- Verwenden Sie das Gerät nur in Umgebungen mit ausreichender Belüftung. Verwenden Sie das Gerät nicht in zugiger Umgebung, damit Sie sich nicht erkälten.
- Verwenden Sie das Gerät nur in Umgebungen mit Umgebungstemperaturen zwischen 10 °C und 35 °C. Lagern Sie das Gerät nur in Umgebungen mit einer Umgebungstemperatur zwischen 5 °C und 45 °C.
- Verwenden und lagern Sie das Gerät nicht in feuchten Umgebungen. Die Luftfeuchtigkeit darf niemals 80% überschreiten.
- Verwenden Sie das Gerät nur bestimmungsgemäß. Verwenden Sie das Gerät nicht für einen anderen als für den in diesem Handbuch beschriebenen Zweck.
- Verwenden Sie das Gerät nicht, falls Teile beschädigt oder defekt sind. Ist ein Teil beschädigt oder defekt, wenden Sie sich an Ihren Händler.
- Halten Sie Ihre Hände, Füße und andere Körperteile von den beweglichen Teilen fern.
- Halten Sie Ihr Haar von den beweglichen Teilen fern.
- Tragen Sie entsprechende Kleidung und Schuhe.
- Halten Sie Kleidung, Schmuck und andere Gegenstände von den beweglichen Teilen fern.
- Vergewissern Sie sich, dass das Gerät nur von einer Person auf einmal verwendet wird. Das Gerät darf nicht von Personen verwendet werden, deren Gewicht 135 kg (300 lbs) überschreitet.
- Öffnen Sie das Gerät nicht, ohne vorher mit Ihrem Händler zu sprechen.

## Elektrische Sicherheit

(Betrifft nur elektrisch betriebene Geräte)

- Vergewissern Sie sich vor der Verwendung stets, dass die Netzspannung mit der Spannung auf dem Typenschild des Geräts übereinstimmt.
- Verwenden Sie kein Verlängerungskabel.
- Halten Sie das Netzkabel von Hitze, Öl und scharfen Kanten fern.
- Verändern Sie nichts am Netzkabel oder am Netzstecker.
- Verwenden Sie das Gerät nicht, falls das Netzkabel oder der Netzstecker beschädigt oder defekt ist. Ist das Netzkabel oder der Netzstecker beschädigt oder defekt, wenden Sie sich an Ihren Händler.
- Wickeln Sie das Netzkabel immer vollständig ab.
- Lassen Sie das Netzkabel nicht unter dem Gerät entlanglaufen. Lassen Sie das Netzkabel nicht unter einem Teppich entlanglaufen. Stellen Sie keine Gegenstände auf das Netzkabel.

- Vergewissern Sie sich, dass das Netzkabel nicht über der Kante eines Tisches hängt. Vergewissern Sie sich, dass niemand versehentlich über das Netzkabel stolpert.
- Lassen Sie das Gerät nicht unbeaufsichtigt, wenn der Netzstecker in die Wandsteckdose eingesteckt ist.
- Ziehen Sie nicht am Netzkabel, um den Netzstecker aus der Wandsteckdose zu ziehen.
- Ziehen Sie den Netzstecker aus der Wandsteckdose, wenn das Gerät nicht verwendet wird, bevor es zusammengebaut oder zerlegt wird sowie vor der Reinigung und Wartung.

## Beschreibung (Abb A)

Ihr Crosstrainer ist ein ortsgebundenes Fitnessgerät, das zur Simulation des Gehens oder Laufens verwendet wird, ohne dabei einen übermäßigen Druck auf die Gelenke auszuüben.

## Verpackungsinhalt (Abb. B & C)

- Die Verpackung enthält die in Abb. B dargestellten Teile.
- Die Verpackung enthält die Befestigungsteile gemäß Abb. C. Siehe Abschnitt "Beschreibung".



### HINWEIS

- Fehlt ein Teil, wenden Sie sich an Ihren Händler.

## Zusammenbau (Abb. D)



### WARNUNG

- Bauen Sie das Gerät in der angegebenen Reihenfolge zusammen.
- Tragen und bewegen Sie das Gerät mit mindestens zwei Personen.



### VORSICHT

- Stellen Sie das Gerät auf festen, ebenen Boden.
- Stellen Sie das Gerät auf eine schützende Unterlage, um Schäden am Bodenbelag zu vermeiden.
- Sorgen Sie rund um das Gerät für einen Freiraum von mindestens 100 cm.

- Der richtige Zusammenbau des Geräts geht aus den Abbildungen hervor.

## Trainings

Das Training muss leicht und geeignet, aber von langer Dauer sein. Aerobic-Übungen basieren auf der Verbesserung der maximalen Sauerstoffaufnahme des Körpers, was wiederum die Ausdauer und Fitness verbessert. Sie sollten während des Trainings zwar ins Schwitzen, aber nicht außer Atem kommen.

Um eine Basisfitness zu erreichen und zu halten, üben Sie mindestens drei mal pro Woche 30 Minuten lang an einem Stück. Erhöhen Sie die Anzahl der Übungssitzungen, um Ihre Fitness zu verbessern. Es lohnt sich, die regelmäßigen Übungen mit einer gesunden Diät zu kombinieren. Personen, die Diät machen, sollten täglich zuerst 30 Minuten oder weniger an einem Stück üben und die tägliche Trainingszeit allmählich auf eine Stunde verlängern. Beginnen Sie Ihr Training mit niedriger Geschwindigkeit und geringem Widerstand, um zu vermeiden, dass das Herz-Kreislaufsystem einer übermäßigen Belastung ausgesetzt wird.

Mit sich verbessernder Fitness können Geschwindigkeit und Widerstand allmählich erhöht werden. Die Wirksamkeit Ihrer Übungen kann durch Überwachung der Herzfrequenz und Ihrer Pulsfrequenz gemessen werden.

### Trainingsanleitung

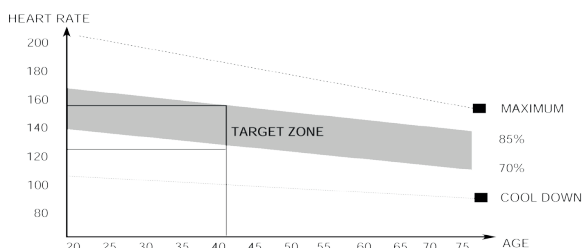
Die Verwendung des Fitnesstrainers wird Ihnen viele Vorteile bieten: Er verbessert Ihre körperliche Fitness, formt die Muskeln und hilft Ihnen, in Verbindung mit einer kalorienreduzierten Diät, Gewicht zu verlieren.

#### Die Aufwärm-Phase

Der Blutkreislauf wird angeregt und die Muskelfunktionen werden unterstützt. Außerdem wird das Risiko von Krämpfen und Muskelverletzungen gesenkt. Sie sollten, wie unten angezeigt, einige Dehnungsübungen machen. Sie sollten weder die Dehnungsbewegung erzwingen noch die Muskeln dabei ruckweise bewegen - wenn Sie Schmerzen haben, sollten Sie AUFHÖREN.

#### Die Trainings-Phase

In dieser Phase strengen Sie sich an. Nach regelmäßiger Verwendung werden die Muskeln in Ihren Beinen beweglicher. In dieser Phase ist es sehr wichtig, immer ein gleichmäßiges Tempo beizubehalten. Die Anstrengung sollte ausreichen, um Ihren Herzschlag bis in die Zielzone zu erhöhen, die im folgenden Diagramm dargestellt ist.



Diese Phase sollte mindestens 12 Minuten dauern; die meisten Menschen beginnen mit ca. 15 bis 20 Minuten.

#### Die Abkühlungs-Phase

Sie dient der Entspannung Ihres Herz-Kreislaufsystems und Ihrer Muskeln. Dabei werden die Aufwärmübungen wiederholt, reduzieren Sie zum Beispiel Ihr Tempo und machen Sie ca. 5 Minuten weiter. Jetzt sollten die Dehnübungen wiederholt werden. Denken Sie wiederum daran, weder die Dehnungsbewegung zu erzwingen noch die Muskeln dabei ruckweise zu bewegen.

Wenn Sie fitter werden, kann es sein, dass Sie länger und härter trainieren müssen. Sie sollten mindestens drei Mal die Woche trainieren und, falls möglich, Ihre Trainingseinheiten gleichmäßig über die Woche verteilen.

#### Muskelformung

Um Ihre Muskeln beim Training auf dem Fitnesstrainer zu formen, müssen Sie den Widerstand ziemlich hoch einstellen. Dadurch werden die Beinmuskeln mehr angestrengt und Sie können möglicherweise nicht so lange trainieren, wie Sie möchten. Wenn Sie außerdem Ihre Fitness verbessern möchten, müssen Sie Ihr Trainingsprogramm ändern. Sie sollten in den Aufwärm- und Abkühlphasen normal trainieren, jedoch gegen Ende der Trainingsphase den Widerstand erhöhen, damit Ihre Beine härter arbeiten müssen. Sie müssen die Geschwindigkeit verringern, damit Ihre Herzfrequenz in der Zielzone bleibt.

#### Gewichtsabnahme

Der wichtige Faktor ist, wie sehr Sie sich anstrengen. Je härter und je länger Sie trainieren, desto mehr Kalorien verbrennen Sie. Dies ist im Grunde dasselbe, wie wenn zur Verbesserung Ihrer Fitness trainieren, nur das Ziel ist ein anderes.

### Herzfrequenz

#### Pulsfrequenzmessung (Handpulssensoren)

Die Pulsfrequenz wird durch Sensoren in den Handgriffen gemessen, wenn der Nutzer beide Sensoren gleichzeitig anfasst. Für eine genaue Pulsmessung ist es erforderlich, dass die Haut etwas feucht ist und die Handpulssensoren konstant berührt werden. Ist die Haut zu trocken oder zu feucht, wird die Pulsfrequenzmessung weniger genau.



#### HINWEIS

- Verwenden Sie die Handpulssensoren nicht in Kombination mit einem Herzfrequenz-Brustgürtel.
- Wenn Sie sich einen Herzfrequenz-Grenzwert für Ihr Training setzen, ertönt beim Überschreiten ein Signal.

## Herzfrequenzmessung (Herzfrequenz-Brustgürtel)

Die genaueste Herzfrequenzmessung lässt sich mit einem Herzfrequenz-Brustgürtel erzielen. Die Herzfrequenz wird mit einem Herzfrequenzempfänger in Kombination mit einem Herzfrequenz-Sendegürtel gemessen. Für eine genaue Herzfrequenzmessung ist es erforderlich, dass die Elektroden am Sender etwas feucht sind und die Haut konstant berühren. Sind die Elektroden zu trocken oder zu feucht, wird die Herzfrequenzmessung weniger genau.



### WARNUNG

Falls Sie einen Schrittmacher haben, wenden Sie sich zunächst an einen Arzt, bevor Sie einen Herzfrequenz-Brustgürtel verwenden.



### VORSICHT

- Falls sich mehrere Herzfrequenz-Messgeräte in gegenseitiger Nähe befinden, vergewissern Sie sich, dass der Abstand zwischen ihnen mindestens 1,5 Meter beträgt.
- Falls nur ein Herzfrequenzempfänger und mehrere Herzfrequenzsender vorhanden sind, vergewissern Sie sich, dass nur eine Person mit einem Sender in Sendereichweite ist.



### HINWEIS

- Verwenden Sie keinen Herzfrequenz-Brustgürtel in Kombination mit den Handpulssensoren.
- Tragen Sie den Herzfrequenz-Brustgürtel stets mit direktem Hautkontakt unter Ihrer Kleidung. Tragen Sie den Herzfrequenz-Brustgürtel nicht auf Ihrer Kleidung. Falls Sie den Herzfrequenz-Brustgürtel auf Ihrer Kleidung tragen, gibt es kein Signal.
- Wenn Sie sich einen Herzfrequenz-Grenzwert für Ihr Training setzen, ertönt beim Überschreiten ein Signal.
- Der Sender überträgt die Herzfrequenz in einem Abstand bis zu 1 Meter zur Konsole. Sind die Elektroden nicht feucht, erscheint die Herzfrequenz nicht auf der Anzeige.
- Einige Fasern in der Kleidung (z.B. Polyester, Polyamid) erzeugen statische Elektrizität, die eine genaue Herzfrequenzmessung verhindern kann.
- Mobiltelefone, Fernsehgeräte und andere Elektrogeräte erzeugen ein elektromagnetisches Feld, das eine genaue Herzfrequenzmessung verhindern kann.

## Maximale Herzfrequenz (während des Trainings)

Die maximale Herzfrequenz ist die höchste Herzfrequenz, die eine Person durch Übungsbelastung sicher erzielen kann. Folgende Formel wird zur Berechnung der durchschnittlichen maximalen

Herzfrequenz verwendet:  $220 - \text{ALTER}$ . Die maximale Herzfrequenz variiert von Person zu Person.



### WARNUNG

- Stellen Sie sicher, dass Sie während des Trainings Ihre maximale Herzfrequenz nicht überschreiten. Falls Sie einer Risikogruppe angehören, wenden Sie sich an einen Arzt.

## Anfänger 50-60% der maximalen Herzfrequenz

Geeignet für Anfänger, Gewicht- Beobachter, Genesende und Personen, die schon lange nicht mehr trainiert haben. Trainieren Sie mindestens dreimal pro Woche 30 Minuten an einem Stück.

## Fortgeschritten 60-70% der maximalen Herzfrequenz

Geeignet für Personen, die ihre Fitness verbessern und halten wollen. Trainieren Sie mindestens dreimal pro Woche 30 Minuten an einem Stück.

## Experte 70-80% der maximalen Herzfrequenz

Geeignet für die fittesten Personen, die sich an lange Ausdauertrainings gewöhnt haben.

## Gebrauch

### Einstellen der Stützfüße

Das Gerät hat 4 Stützfüße. Steht das Gerät nicht stabil, kann es mit den Stützfüßen eingestellt werden.

- Drehen Sie die Stützfüße wie erforderlich, um das Gerät in eine stabile Position zu bringen.
- Ziehen Sie die Sicherungsmuttern an, um die Stützfüße zu sichern.



### HINWEIS

Die Maschine steht am stabilsten, wenn alle Stützfüße vollständig eingeschraubt sind. Nivellieren Sie die Maschine daher, indem Sie alle Stützfüße vollständig Eindreihen, bevor Sie die entsprechenden Füße zur Stabilisierung der Maschine wieder herausdrehen.

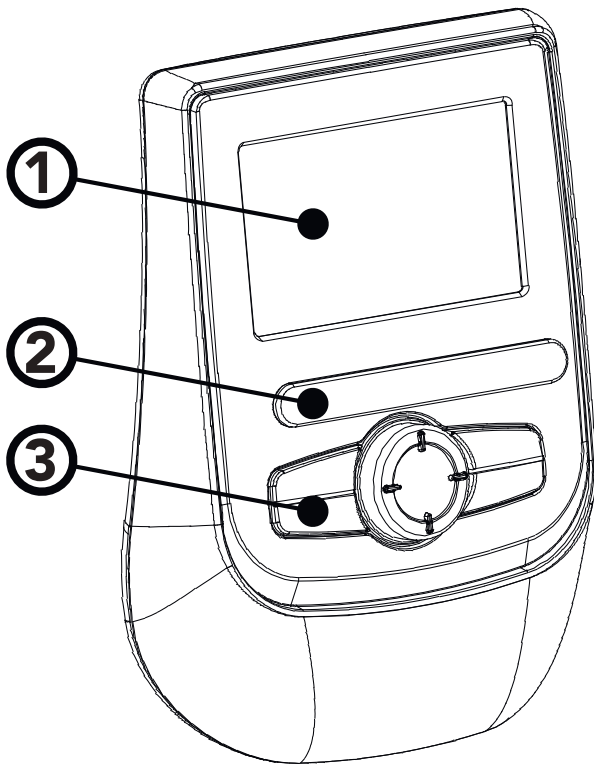
### Stromzufuhr (Abb. E)

Das Trainingsgerät wird über eine externe Stromversorgung mit Strom versorgt. Die Position des Stromeingangs für das Trainingsgerät finden Sie auf der Abbildung.



**HINWEIS**

- Befestigen Sie den Transformator am Trainer bevor Sie diese in der Steckdose stecken.
- Entfernen sie immer das Netzkabel wenn der Trainer nicht benutzt wird.

**Konsole (Abb F)**

1. Anzeige
2. Tablet-/Buchstütze
3. Schalter

**VORSICHT**

- Halten Sie die Konsole von direkter Sonneneinstrahlung fern.
- Trocknen Sie die Oberfläche der Konsole, wenn Sie mit Schweißtropfen bedeckt ist.
- Lehnen Sie sich nicht auf die Konsole.
- Berühren Sie die Anzeige nur mit Ihrer Fingerspitze. Vergewissern Sie sich, dass Ihre Nägel oder andere scharfe Gegenstände die Anzeige nicht berühren.

**HINWEIS**

- Die Konsole schaltet in den Standby-Modus, wenn das Gerät 4 Minuten lang nicht verwendet wird.

**Erläuterung der Schalter****BACK/ STOP**

- Zurück zum vorherigem Fenster.
- Beenden Sie das aktive Training.

**QUICK START**

- Training ohne aktuelle Einstellungen starten. Alle Trainingsinformation werden nach oben gezählt.

**MAIN MENU**

- Geht zurück zum Hauptmenü.
- Beim Training wird die Konsole in den Modus "Beenden des trainings" geschaltet.

**USER SETTING**

- Drücken Sie diese Taste um den Gebraucher / Gebrauche-Einstellungen eingeben.
- Diese Taste funktioniert nicht während des Trainings.

**MODE/ ENTER****Drehschalter Funktionen:**

- Wählen Sie den Training-Modus im Hauptmenü..
- Benutzer/Einstellung-Modus Auswahl;.
- Wählen Sie den gewünschten Modus im Einstellungsfenster.
- Erhöhen oder verringern Sie den Einstellungswert..
- Anpassung vom Zielwert (hoch/ niedrig) während des Trainings..
- Verschieben Sie nach oben oder unten während T-Ride™ or T-Road Training.

**Horizontal**

- Drehen im Uhrzeigersinn – Option nach rechts,
- Drehen gegen den Uhrzeigersinn – Option nach links.

**Vertikal**

- Drehen im Uhrzeigersinn, Option nach Oben..
- Drehen gegen den Uhrzeigersinn, Option nach unten.

**Funktionen Drucktaste:**

- Sport Modus Bestätigung.
- Option Bestätigung unter Benutzer Einstellmodus..
- Bestätigung vom Aktiven Programm im Einstellungs-Modus
- Einstellungs-Werte und Bestätigung.
- Umschalten Bildschirm zwischen BPM-NM oder BPM-W während dem Training.
- Umschalten Bildschirm zwischen BPM-M oder BPM-FT während T-Ride™.
- Umschalten Bildschirm zwischen Video-Profile während T-Road.
- Wechsel zum nächste Begleitung während T-Trainer™

## Externe Verbindungen

### USB Anschluss

USB-Port kann für Folgendes verwendet werden:

- USB-Ladepunkt.
- Service-Zwecke Z.B. Software- Update.



#### HINWEIS

- Das Format sollte nicht ! NTFS sein.

## Bedienung

---

### Einschalten

- Drücken Sie auf eine beliebige Taste, wenn sich die Konsole im Ruhemodus befindet.

Nachdem die Applikation vom Gebraucher geladen ist (fig. F-01) wird das Hauptmenu erscheinen (fig. F-02).

Trainer ist jetzt bereit um die Workout Programme zu starten, selektiere diese mit quick-Start und beginne.

## Programme

---

### Schnellstart

---

Drehe den Schalter und wählen Sie „Schnellstart“ Bestätigen Sie die Auswahl, indem Sie den Drehschalter drücken und gehen sie sofort zum Trainings-Bildschirm.

(fig. F-03)

Die X Achse zeigt die Zeit in Minuten zwischen 0 ~ 30. Es wird während des Trainings (alle 15 Minuten) aktualisiert

- Um die Y-Achse, während des Trainings zu ändern von Nm-bpm, drücken Sie den Drehschalter.
- Dass Balkendiagramm zeigt den Drehmoment in Nm. betätigen Sie den Drehschalter um diesen Wert zu ändern.
- Die weiße unterbrochene Linie zeigt die aktuelle Position. Diese bewegt sich nach rechts wenn die Trainingszeit verläuft. Der Bildschirm kann maximal 5 Stunden Daten zeigen.

### Beenden des Trainings

---

Das Trainings-Ende Bildschirm erscheint wenn Back/ Stop oder Hauptmenu gedrückt wird oder wenn der weiße unterbrochene Linie den Zielwert erreicht. (Fig. F-04)

### Weither : (Continue)

Wählen Sie "Weither" um zu Trainings-Bildschirm zurückzukehren

### Beenden: (Exit)

Wählen Sie "beenden" um das letzte Wiedergabefenster zu Schließen.

### Speichern:

Wählen Sie "Speichern" und geben Sie einen Dateinamen ein, am unteren Rand des Bildschirms Benutze den Drehschalter um A – Z, oder 0-9 zu selektieren und alle Trainingsdaten zu Speichern für einen neuen Trainings-Modus.

### Last session (fig. F-05)

Die Trainingsdaten vom letzten gespeichertem Training werden gezeigt

## Zieherzfrequenz

---

- Wählen Sie "Zieherzfrequenz". aus mit dem Drehschalter
- Bestätigen Sie die Auswahl, indem Sie den Drehschalter drücken und gehen sie sofort zum Einstellungs- Bildschirm (Fig. F-06)
- Drehen Sie den Schalter um die Zielherzfrequenz einzustellen.  
(Die Anzahl schwankt mit Bpm-Wert)
- Bestätigen Sie durch den Drehschalter einzudrücken und gehen sie sofort zum Einstellungs- Bildschirm (Fig F-07)
- Wählen Sie Programm aus mit dem Drehschalter.
- Bestätigen Sie die Auswahl, indem Sie den Drehschalter drücken und gehen Sie weiter mit die Bereich-Einstellungen (rechts)
- Drehe den Schalter um Einstellbereich zu ändern
- Bestätigen Sie die Auswahl, indem Sie den Drehschalter drücken und gehen sie sofort zum Trainings- Bildschirm (Fig. F-08)

Die X-Achse zeigt die gewählte Auswahl Energie/Zeit/ Abstand im Set Screen:

Energie Einheit	Kcal
Zeit Einheit	Min
Abstand Einheit	Km in Metrisch Mile in Imperial

- Drücken Sie den Drehschalter um die Y-Achse während des Trainings zu ändern von W-bpm.
- Dass Balkendiagramm zeigt die Herzfrequenz in Bpm. Betätigen Sie den Drehschalter um diesen Wert zu ändern
- Die weiße unterbrochene Linie zeigt die aktuelle Position. Diese bewegt sich nach rechts wenn die Kalorien/Zeit/Abstand sich ändern
- Die Orange Kurve zeigt die Aktuelle Herzfrequenz des Benutzers. Diese Variiert da die Herzfrequenz häufig ändert

- Die blaue Kurve zeigt den Aktuellen Watt wert.
- Konsole Einstellung unterstützt den Benutzer um seine Ziele zu erreichen das als Ziel-Herzfrequenz eingestellt ist.
- Wenn die Aktuelle. Herzfrequenz höher ist als die eingestellte wird das System die Watt zahl senken. Und, erhöhen wenn die Aktuelle Herzfrequenz Niedriger ist.
- Die Meldung "No Heart Rate" wird gezeigt wenn die Herzfrequenz vom Benutzer, während dem Training, nicht gemessen wird

Um das Training zu beenden - siehe. "Beenden des Trainings"

## Manuell

- Drehe den Schalter und wähle "Manuell"
- Bestätigen Sie die Auswahl indem Sie den Drehschalter drücken und gehen Sie sofort zum Einstellungs-Bildschirm(Fig. F-09).
- Wählen Sie das Programm mit dem Drehschalter.
- Bestätigen Sie die Auswahl, indem Sie den Drehschalter drücken und gehen Sie weiter mit die Bereich-Einstellungen (rechts).
- Drehe den Schalter um Einstellbereich zu ändern.
- Bestätigen Sie die Auswahl, indem Sie den Drehschalter drücken und gehen sie sofort zum Trainings- Bildschirm (Fig. F-03)

Die X-Achse zeigt die gewählte Auswahl Energie/Zeit/ Abstand im Set Screen:

Energie Einheit	Kcal
Zeit Einheit	min
Abstand Einheit	Km in Metrisch Mile in Imperial

- Um die Y-Achse, während des Trainings zu ändern von Nm-bpm, drücken Sie den Drehschalter.
- Dass Balkendiagramm zeigt den Drehmoment in Nm. betätigen Sie den Drehschalter um diesen Wert zu ändern.
- Die weiße unterbrochene Linie zeigt die aktuelle Position. Diese bewegt sich nach rechts wenn die Energie/ Zeit/Abstand verläuft. Stunden Daten zeigen

Um das Training zu beenden - siehe. "Beenden des Trainings"

## Wattsteuerung

- Drehen Sie den Schalter und wählen sie „Wattsteuerung“.
- Bestätigen Sie durch den Drehschalter einzudrücken und gehen sie sofort zum Einstellungs- Bildschirm (Fig.F-10).

- Drehen Sie den Schalter um die Watt Zahl einzustellen.
- Drücke den Drehschalter zur Bestätigung und gehen Sie weiter mit die Bereich-Einstellungen zum Einstellungs- Bildschirm(2) (Fig. F-11)
- Wählen Sie Programm aus mit dem Drehschalter.
- Bestätigen Sie die Auswahl, indem Sie den Drehschalter drücken und gehen Sie weiter mit die Bereich-Einstellungen (rechts).
- Drehe den Schalter um Einstellbereich zu ändern.
- Drücke den Drehschalter zur Bestätigung und gehen Sie weiter im Trainings-Bildschirm. (Fig. F-12)

Die X-Achse zeigt die gewählte Auswahl Energie/Zeit/ Abstand im Set Screen:

Energie Einheit	Kcal
Zeit Einheit	Min
Abstand Einheit	Km in Metrisch Mile in Imperial

- Um die Y-Achse, während des Trainings zu ändern von Nm-bpm, drücken Sie den Drehschalter.
- Dass Balkendiagramm zeigt den Drehmoment in Watt. betätigen Sie den Drehschalter um diesen Wert zu ändern.
- Die weiße unterbrochene Linie zeigt die aktuelle Position. Diese bewegt sich nach rechts wenn die Energie/Zeit/Abstand verläuft. Stunden Daten zeigen
- Die Konsole Programmierung: unterstützt den Benutzer sein/ihr Ziel zu Erreichen. Wenn die Aktuelle. Watt Zahl höher ist als die eingestellte, wird das System die Watt zahl senken. Und, erhöhen wenn die Aktuelle Herzfrequenz Niedriger ist

Um das Training zu beenden - siehe. "Beenden des Trainings"

## T-Ride

- Drehen Sie den Schalter und wählen sie "T-ride".
- Bestätigen Sie die Auswahl, indem Sie den Drehschalter drücken und gehen Sie weiter mit die Bereich-Einstellungen(Fig F-13).
- Drehen Sie den Schalter und wählen Sie zwischen Top and Down - Spur (Trail) - Easy Ride - Marathon - Short Loop
- Drücke den Drehschalter zur Bestätigung und gehen Sie weiter mit die Bereich-Einstellungen (Fig. F-14)
- Einstellen vom Startpunkt des Trainings. Drehen Sie den Schalter um die weiße unterbrochene Linie einzustellen. Drücke den Drehschalter zur Bestätigung.
- Einstellen vom Endpunkt des Trainings .Drehen Sie den Schalter um den weiße unterbrochene Linie

einzustellen.

Drücke den Drehschalter zur Bestätigung und gehen Sie weiter mit die Bereich-Einstellungen. (Fig. F-15)

Die X-Achse zeigt die gewählte Einheit in KM/Metrisch und Mile/Imperial.

- Um die Y-Achse, während des Trainings zu ändern von m-Bpm/Metrisch, Ft-Bpm in Imperial,
- Die weiße unterbrochene Linie zeigt den die Aktuelle Diese bewegt sich nach rechts wenn der Abstand vergrößert.
- An der rechten Seite vom Bildschirm ist die Gangschaltung von 1-8. Drehen Sie den Schalter um diese zu ändern.
- Das Weiße Ikon + 0° links unten im Bildschirm zeigt den Steigungswert und ändert sich während des Training.
- Der letzte Bildschirm zeigt die Trainingsdaten. Drücken Sie den Drehschalter um zum Hauptmenu zurückzukehren.

Um das Training zu beenden - siehe. "Beenden des Trainings"

## Preset Programs

- Drehen Sie den Schalter und wählen Sie "Preset Programme".
- Drücke den Drehschalter zur Bestätigung.. und gehen Sie weiter mit die Bereich-Einstellungen (Fig. F-16).
- Drehen Sie den Schalter und wählen Sie zwischen:
- Wattsteuerung: Hügelandschaft, Steigung, Querfeldein, Ausdauer, Power-Intervall (Rolling Hills - Hill Climb - Cross Country - Stamina - Power Interval) items oder,
- Zieherzfrequenz: Fettverbrenner 1, Fettverbrenner 2, Cardio - Kraft, Cardio - Steigung, Cardio - Intervall. (Fat burner 1 - Fat burner 2 - Cardio Strength - Cardio Climb - Cardio Interval)
- Drücke den Drehschalter zur Bestätigung.. und gehen Sie weiter mit dem Bereich-Einstellungen (Fig. F-17)
- Drehen Sie den Schalter und wählen Sie.
- Drücke den Drehschalter zur Bestätigung.. und gehen Sie weiter mit die Einstellungen an der rechten Seite des Bildschirms.
- Drehen Sie den Schalter um die Einstellungen zu ändern.
- Drücke den Drehschalter zur Bestätigung.. und gehen Sie weiter mit die Bereich-Einstellungen.



### HINWEIS

#### Trainings-Bildschirm:

Die Trainingswiedergabe ist abhängig vom gewähltem Trainings-Modus.

Nm Manual Modus:

Ist gleich am Manual Modus

Watt Constant Mode:

Ist gleich am Voreingestellten Programm Watt Modus.

Target HR Modus:

Diese ist gleich am Vorprogrammierten Herzfrequenz Programms.

Um das Training zu beenden - siehe.

"Beenden des Trainings"

## Eigenes Training

- Drehen Sie den Schalter und wählen Sie. "Eigenes training".
- Bestätigen Sie die Auswahl, indem Sie den Drehschalter drücken und gehen Sie weiter mit die Bereich-Einstellungen. (Fig. F-20)



### HINWEIS

- Wenn keine gespeicherte Training gefunden werden, wird das (fig. F-19) Fenster gezeigt.
- Drücke den Drehschalter um zum Hauptmenu zurückzukehren.

Einstellungs-Bildschirm (1) ist für gespeicherte Benutzertrainingsdaten.

Diese werden rechts im Bildschirm gezeigt.

- Drehen Sie den Schalter und wählen Sie.
- Bestätigen Sie die Auswahl, indem Sie den Drehschalter drücken und gehen Sie weiter mit die Einstellungs-Bildschirm(Fig. F-21)
- Drehen Sie den Schalter und wählen Sie.(Fig. F-22)

### Wählen "Wiederholung" (Replay)

- Bestätigen Sie die Auswahl, indem Sie den Drehschalter drücken und gehen Sie weiter im Einstellungs-Bildschirm und dem vorigem Training.

### Wählen "Bearbeiten" (Edit)

- Bestätigen Sie die Auswahl, indem Sie den Drehschalter drücken
- Geben Sie die Einstellungen ein oder bearbeiten sie diese und bestätigen Sie..
- Drücken Sie den Drehschalter zum bestätigen und gehen sie weiter im Trainings-Bildschirm.

### Wählen "Löschen" (Delete)

- Drehe den Schalter und wähle..
- Bestätigen Sie die Auswahl indem Sie den Drehschaltern drücken und gehen sie sofort zum Selektions-Bildschirm.
- Wähle Yes um die gewählte Datei zu löschen. (Fig. F23)
- Bestätige durch den Drehschalter zu drücken.

## Fitnessstest

- Drehe den Schalter und wähle "Fitnessstest".
- Bestätigen Sie die Auswahl indem Sie den Drehschaltern drücken und gehen sie sofort zum Einstellungs- Bildschirm.



### HINWEIS

- Der User Interface braucht die Benutzerdaten zum Berechnen. Des Fitness Tests, Wenn keine Benutzerdaten bekannt sind, kann der Fitness Test nicht gestartet werden. Die untenstehende Nachricht wird gezeigt. ( Fig. F-24)
- Drücke den Drehschalter und gehen Sie zurück zum Hauptmenu.
- Drehe den Schalter und wähle..
- (Inactive / Active / Athletic mode) (Fig. F-25)
- Bestätigen Sie die Auswahl indem Sie den Drehschaltern drücken und gehen sie sofort zum Einstellungs- Bildschirm (Fig F-26)
- Drehe den Schalter um den Herzfrequenz Zielwert in Vo2 Max Wert, einzustellen.. (der Bereich liegt zwischen 8~220Bpm.) Standard 85% vom Max HR und Gewicht (Kg).
- Bestätigen Sie die Auswahl indem Sie den Drehschaltern drücken und um das Informations-Fenster zu öffnen. (Fig. F-27)
- Bestätigen Sie die Auswahl indem Sie den Drehschalter drücken und gehen sie sofort zum Trainings-Bildschirm.

#### Trainings-Bildschirm.

Diese ist gleich am Vorprogrammierten Herzfrequenz Programms.

Der Bildschirm zeigt;

- "Testfehler!" wenn:
  - Die Trainingszeit zu kurz ist.
  - RPM Wert zu niedrig ist.
  - HR Wert nicht erreicht wird.
  - HR unter 110 Bpm ist.
- "Herzfrequenz nicht festgestellt! wenn:
  - Die Herzfrequenz vom Gebraucher wird während dem Training nicht gemessen.
- Drücke Back/Stop oder Hauptmenu um den Trainings-Bildschirm zu verlassen.

Zielherzfrequenz erreicht. Stop Test oder gehe weiter"

- Benutzer hat das Ziel erreicht.
- Drücke den Drehschalter um den Test zu beenden und direkt zum Trainings Data Bildschirm zu gehen.

Trainings Daten Bildschirm (Fig. F-28)

Drücke den Drehschalter um zum VO2 Max Testresultat Bildschirm zu gehen. (Fig. F-29)

- Drücke den Drehschalter um zum Hauptmenu zurückzukehren.

Um das Training zu beenden - siehe. "Beenden des Trainings"

## VO2 Max Testergebnis-Tabelle

Mann/ Maximale Sauerstoff Aufnahme(VO2MAX)							
1 = sehr schlecht / 7 = ausgezeichnet							
Alter	1	2	3	4	5	6	7
18-19	<33	33-38	39-44	45-51	52-57	58-63	>63
20-24	<32	32-37	38-43	44-50	51-56	57-62	>62
25-29	<31	31-35	36-42	43-48	49-53	54-59	>59
30-34	<29	29-34	35-40	41-45	46-51	52-56	>56
35-39	<28	28-32	33-38	39-43	44-48	49-54	>54
40-44	<26	26-31	32-35	36-41	42-46	47-51	>51
45-49	<25	25-29	30-34	35-39	40-43	44-48	>48
50-54	<24	24-27	28-32	33-36	37-41	42-46	>46
55-59	<22	22-26	27-30	31-34	35-39	40-43	>43
60-65	<21	21-24	25-28	29-32	33-36	37-40	>40

Frau/ Maximale Sauerstoff Aufnahme(VO2MAX)							
1 = sehr schlecht / 7 = ausgezeichnet							
Alter	1	2	3	4	5	6	7
18-19	<28	28-32	33-37	38-42	43-47	48-52	>52
20-24	<27	27-31	32-36	37-41	42-46	47-51	>51
25-29	<26	26-30	31-35	36-40	41-44	45-49	>49
30-34	<25	25-29	30-33	34-37	38-42	43-46	>46
35-39	<24	24-27	28-31	32-35	36-40	41-44	>44
40-44	<22	22-25	26-29	30-33	34-37	38-41	>41
45-49	<21	21-23	24-27	28-31	32-35	36-38	>38
50-54	<19	19-22	23-25	26-29	30-32	33-36	>36
55-59	<18	18-20	21-23	24-27	28-30	31-33	>33
60-65	<16	16-18	19-21	22-24	25-27	28-30	>30

## T-Road

- Drehe den Schalter und wähle "T-road".
- Bestätigen Sie die Auswahl indem Sie den Drehschalter drücken und gehen Sie sofort zum Trainings-Bildschirm (Fig. F-30).

Sie können aus 3 unterschiedliche Trainingsstrecken wählen.

Zu wissen: Tuscany Sandy Road/ Tuscany Scenery Road/ Tuscany Country Road.

- Drehe den Schalter und wähle die Trainings Strecke.
- Bestätige die Auswahl indem Sie den Drehschalter drücken und gehen Sie sofort zum Trainings-Bildschirm.
- Drücke den Drehschalter um, während des Trainings, zu wechseln zwischen Video (fig. F-31) und Profil (Fig. F-32) Bildschirm.

### Im Bildschirm "Profil":

- Die Weiße unterbrochene Linie zeigt die aktuelle Position, diese bewegt sich nach rechts wenn die Trainingszeit verstreicht.
- Die Orange Kurve zeigt die Aktuelle Herzfrequenz des Benutzers. Diese Variiert da die Herzfrequenz häufig ändert.

### Im Bildschirm:

- In der rechten Ecke des Bildschirms ist der Schalthebel 1-8. Benutze den Drehschalter zum Wechseln.
- Das Weiße Symbol + 0° links unten auf dem Bildschirm zeigt die Steigung. Diese schwankt mit der Profil-Steigung durch gang Wechsel.
- Drücken Sie Back/Stop, Hauptmenu oder Weiße unterbrochene Linie Wert kann den Bildschirm verlassen wenn Ziel Zahl erreicht wird.

Um das Training zu beenden - siehe. "Beenden des Trainings"

## T-Trainer



### HINWEIS

Diese Funktion ist nur verfügbar für den Cross-Trainer.

- Drehe den Schalter und wähle "T-Trainer".
- Drücke den Drehschalter zum Bestätigen und zum Trainings Fenster zu gehen und den Free Ride Intervall Modus zu starten.

### Workout screen.

- Zeigt den Trainings Modus 10 Sekunden und schaltet dann wieder zurück zum Trainings Modus.
- Es gibt 6 Training Modi:

- Trainings Modi; Arm Push/ Arm Pull/ Forward Pedal/ Backward Pedal/ Forward Lean/ Squat.
- Zwischen jeden Trainings Modus gibt es einen Free Ride Intervall von 1 Minute. (Fig. F-36)
- Die Meldung auf dem Bildschirm "Slow down"/ "Speed up"/ "Speed ok" informiert den Benutzer um schneller oder langsamer zu Trainieren.
- Wenn Sie den Drehschalter drücken schaltet das Training zum nächsten Trainings-Modus ohne vorher eine Meldung zu zeigen.
- Die X Achse zeigt die Zeit in Minuten zwischen 0~30. It und wird, während dem Training, jede 15 Minuten aktualisiert.
- Die Y-Achse zeigt Einheiten in Nm.
- Das Balkendiagramm zeigt Drehmoment wert in Nm. Drehe den Schalter um den Nm Wert zu ändern.
- Die weiße unterbrochene Linie zeigt die aktuelle Position, diese bewegt sich nach rechts wenn die Trainings Zeit verläuft. Das Trainings-Fenster zeigt die Trainings Daten bis maximal 5 Stunden.
- Die Orange Kurve zeigt die Aktuelle Herzfrequenz des Benutzers. Diese Variiert da die Herzfrequenz häufig ändert..
- In die obere rechte Ecke vom Bildschirm wird die final Countdownzeit vom aktuellen aktiven Trainings-Modus, gezeigt. Diese wird zurückgesetzt wenn der Trainer zum nächsten Trainings-Modus schaltet.
- In der untere Linke Ecke wird die Meldung Slow down/ Speed up/ Speed ok gezeigt um den Benutzer daran zu erinnern Schneller, langsamer zu trainieren oder im gleichen Tempo zu bleiben.
- Drücke Back/stop, Hauptmenu Taste um das Trainings-Fenster zu schließen.

Training mode display (Fig. 37)

Um das Training zu beenden:  
"Beenden des Trainings"

## Benutzer-einstellungen

Drücke die "User/Settings" Taste um in den Benutzereinstellungen, Hauptmenu zu gelangen.

- Benutze den Drehschalter um einer der sechs Möglichkeiten auszuwählen...
- Drücke den Drehschalter zur Bestätigung um das gewählte Programm zu öffnen.

## Benutzerprotokoll

Durch die Auswahl von "Benutzerprotokoll" können Sie sich die Trainingsdaten vom ausgewählten Benutzer ansehen.

Sie können die neuesten Daten oder ein anderes Training vom Benutzer ansehen. (fig. F-33).

Schließen Sie die Trainingsdaten durch die BACK/STOP zu drücken.

## Benutzer bearbeiten

Durch Auswahl von "Benutzer bearbeiten" können Sie:

- Die Helligkeit einstellen (Standard = 50%).
- Die gesamte Km-Benutzung vom Trainer nachsehen.
- Die gesamte Zeit-Benutzung vom Trainer nachsehen.
- Die Standard Soft- und Firmware und die Software-Version form User Interface nachsehen
- Sprache ändern.
- Signalton der Tasten an- (Ja) oder ausschalten (NEIN).

Benutzereinstellungs-Fenster (Fig. F-35)

### Wie kann Benutzereinstellungen ändern

- Drehen Sie den Schalter um die Einstellung zu wählen das Sie ändern möchten.
- Drücke den Drehschalter um die ausgewählte Einstellung in der rechten Seite vom Bildschirm zu öffnen.
- Drehe den Schalter um die Einstellung zu ändern.
- Drücke den Drehschalter zur Bestätigung der Änderung.
- Drehe den Schalter um die nächste Einstellung zu ändern oder benutze die Back/ Stop Taste um zum Einstellungsmenu zurückzukehren.

## Bearbeiten

Durch den „Bearbeiten“ durch diesen zu selektieren und bearbeiten zu wählen, können sie die untenstehenden Einstellungen ändern: (Fig. F-34)

### Benutzer Name:

- Drehe den Schalter und wähle "Name".
- Drücke den Drehschalter um "Name" Bearbeitung zu wählen.
- Drehe den Schalter um den Buchstabe zu wählen.
- Drücke den Drehschalter zur Bestätigung.
- Drehe den Schalter um den nächsten Buchstabe zu wählen.

- Wen der Name Korrekt geändert ist, wähle "✓" um diesen zu Bestätigen und kehre zurück zum Bearbeitungsmenü..

### Einheiten

- Drehe den Schalter und wähle "Einheiten".
- Drücke den Drehschalter um "Einheiten" Bearbeitung zu wählen.
- Drehe den Schalter zu wählen  
Metrisch: km/kph/Kcal  
Imperial: mile/mph/kcal.
- Drücke den Drehschalter um diese Einstellung zu Bestätigen und kehre zurück zum Bearbeitungsmenü

### Anzeige

- Drehe den Schalter und wähle "Anzeige".
- Drücke den Drehschalter um "Display" zu bearbeiten.
- Drehe den Schalter um die untenstehende Daten zu ändern. Nach oben zählen: die Einstellungen Zeit/ Abstand, werden addiert..  
Nach untenbestand, werden subtrahiert.
- Drücke den Drehschalter um diese Einstellung zu Bestätigen und kehre zurück zum Bearbeitungsmenü..

### Geschlecht

- Drehe den Schalter und wähle "Geschlecht".
- Drücke den Drehschalter um "Display" zu bearbeiten..
- Drehe den Schalter um Männlich/Weiblich zu wählen.
- Drücke den Drehschalter um diese Einstellung zu Bestätigen und kehre zurück zum Bearbeitungsmenü.

### Alter

- Drehe den Schalter und wähle "Alter".
- Drücke den Drehschalter um "Alter" zu bearbeiten..
- Drehe den Schalter um das Alter zu ändern.
- Drücke den Drehschalter um diese Einstellung zu Bestätigen und kehre zurück zum Bearbeitungsmenü.

- Körpergröße
- Drehe den Schalter und wähle "Körpergröße".
- Drücke den Drehschalter um "Größe" zu bearbeiten
- Drehe den Schalter um "Größe" zu ändern. In Cm wenn in Metrische-, in Ft/ Inch wenn in Imperial eingestellt.
- Drücke den Drehschalter um diese Einstellung zu Bestätigen und kehre zurück zum Bearbeitungsmenü.

### Gewicht

- Drehe den Schalter und wähle "Gewicht".
- Drücke den Drehschalter um "Gewicht" zu bearbeiten

- Drehe den Schalter um "Gewicht" zu ändern. In Kg wenn in Metrische-, in Lbs wenn in Imperial eingestellt.
- Drücke den Drehschalter um diese Einstellung zu Bestätigen und kehre zurück zum Bearbeitungs Menü.

## Max HF

- Drehe den Schalter und wähle " Max HF ".
- Drehe den Schalter um " Max HR " zu bearbeiten. Standard wenn Fraulich – 220 Alter wenn Männlich – 226 Alter
- Drücke den Drehschalter um diese Einstellung zu Bestätigen und kehre zurück zum Bearbeitungs Menü.

## Benutzer Löschen

Durch den "Benutzer Löschen" zu wählen, können Sie:

- Benutzer und alle Daten löschen.
- Drehe den Schalter und wählen Sie den Benutzer den Sie löschen möchten.
- Drücke den Drehschalter um den Benutzer zu löschen und kehre zurück zum Bearbeitungsmenu.



### HINWEIS

- Benutzer wird, ohne weitere Nachfrage gelöscht.

## Benutzer ändern

Durch den "Benutzer ändern" zu wählen, können Sie

- Drehe den Schalter und wählen Sie den Benutzer den Sie aktivieren möchten.
- Drücke den Drehschalter zur Bestätigung und kehre zurück zum Bearbeitungsmenu

## Benutzer erstellen

Durch "Benutzer erstellen" können sie ein neues Benutzerprofil machen. Es können maximal 8 Benutzer eingegeben werden.

Bei "Benutzer bearbeiten" sehen Sie die Möglichkeiten um einen Benutzer zu erstellen.

## Modus BT (Bluetooth)

Drehen Sie den Drehschalter auf die Auswahl BT-Modus und drücken Sie auf den Schalter zur Aktivierung des BT-Modus.

## BT-Verbindung

Das Bluetooth-Modul wird eingeschaltet und verbindet das BT-Gerät über diese Seite automatisch.

Drücken Sie auf den Drehschalter oder den Zurück-Schalter, um diese Seite zu verlassen. Das Bluetooth-Modul wird ausgeschaltet.

## Reinigung und Wartung

Das Gerät bedarf keiner besonderen Wartung. Das Gerät muss nicht neu kalibriert werden, wenn es gemäß den Anweisungen zusammengebaut, verwendet und gewartet wird.



### WARNUNG

- Entfernen Sie vor der Reinigung und Wartung den Adapter.
- Verwenden Sie zur Reinigung des Geräts keine Lösungsmittel.
- Reinigen Sie das Gerät nach dem Gebrauch mit einem weichen aufnahmefähigen Lappen.
- Prüfen Sie regelmäßig, ob alle Schrauben und Muttern fest sind.
- Schmieren Sie die Gelenke, falls erforderlich.

## Störungen und Fehlfunktionen

Trotz ständiger Qualitätskontrolle können durch Einzelteile verursachte Störungen und Fehlfunktionen am Gerät auftreten. In den meisten Fällen ist es ausreichend, das defekte Teil zu erneuern.

- Falls das Gerät nicht ordnungsgemäß funktioniert, wenden Sie sich unverzüglich an den Händler.
- Nennen Sie dem Händler Modell- und Seriennummer des Geräts. Schildern Sie die Art des Problems, die Gebrauchsbedingungen und das Kaufdatum.

## Transport und Lagerung



### WARNUNG

- Entfernen Sie vor dem Transport und der Lagerung den Adapter.
- Tragen und bewegen Sie das Gerät mit mindestens zwei Personen.
- Bleiben Sie vor dem Gerät auf beiden Seiten und halten Sie die Handgriffe sicher fest. Heben Sie die Vorderseite des Geräts an, damit die Hinterseite auf die Räder gehoben wird. Bewegen Sie das Gerät



und setzen Sie es vorsichtig ab. Stellen Sie das Gerät auf eine schützende Unterlage, um Schäden am Bodenbelag zu vermeiden.

- Bewegen Sie das Gerät vorsichtig über unebene Böden. Bewegen Sie das Gerät nicht auf den Rädern Treppen herauf, sondern tragen Sie es an den Handgriffen.
- Lagern Sie das Gerät an einem trockenen Ort mit möglichst wenig Temperaturschwankungen.

## Zusätzliche Informationen

### Verpackungsentsorgung

Staatliche Vorschriften sagen, dass wir die in Deponien entsorgten Abfallmengen verringern sollen. Daher bitten wir Sie, den gesamten Verpackungsabfall an öffentlichen Recyclingstellen abzugeben

### Entsorgung am ende der Lebensdauer

Wir bei Tunturi hoffen, dass Sie Ihren Fitnesstrainer viele Jahre mit Freude nutzen werden. Jedoch wird irgendwann die Zeit kommen, wenn die Ende der Nutzungsdauer des Fitnesstrainers erreicht ist. Gemäß den europäischen WEEE-Gesetzen sind Sie für eine geeignete Entsorgung des Fitnesstrainers bei einer anerkannten öffentlichen Entsorgungsstelle verantwortlich.

## Technische Daten

Parameter	Maßeinheit	Wert
Länge	cm inch	146 57.5
Breite	cm inch	67 26.4
Körpergröße	cm inch	164 64.6
Gewicht	kg lbs	65.9 145
Max. Benutzergewicht	kg lbs	135 300
Adapter Spannung Strom	V Ma.	26V-DC 2.3 A

## Garantie

### Eigentümer-garantie für Tunturi fitnessgeräte.

#### Garantiebedingungen

Der Käufer ist berechtigt die den Handel mit Konsumgütern betreffenden gesetzlichen Rechte gemäß der nationalen Gesetzgebung in Anwendung zu bringen. Diese Rechte werden durch die Garantie nicht eingeschränkt. Bedingungen zu ersetzen. Die Eigentümer-Garantie gilt nur dann, wenn das Gerät in einer für entsprechende Geräte der Tunturi New Fitness BV zugelassenen Anwendungsumgebung verwendet wird. Die für das Gerät zugelassene Anwendungsumgebung wird in der Bedienungsanleitung des Geräts genannt.

#### Garantiedauer

Die Garantie gilt ab Kaufdatum. Die Garantiedauer kann sich je nach Land unterscheiden. Bitte wenden Sie sich an Ihren zuständigen Händler, um die Garantiedauer zu erfahren.

#### Garantieumfang

Unter keinen Umständen haften die Tunturi New Fitness BV oder der Tunturi-Vertragshändler für dem Käufer möglicherweise zugefügte indirekte Schäden wie Gebrauchsbeeinträchtigung oder Einkommensverlust oder anderen wirtschaftlichen Folgeschäden.

#### Einschränkungen der garantie

Die Garantie deckt durch Herstellung oder Material hervorgerufene Fehler des Fitnessgeräts in dessen ursprünglicher Zusammensetzung. Unter Voraussetzung, dass die Aufbau-, Pflege- und Gebrauchsanweisungen von Tunturi befolgt wurden, erstreckt sich die Garantie auf solche Fehler, die bei normaler und einem dem Gerät beiliegenden Anleitungsbuch entsprechender Benutzung auftreten können. Die Tunturi New Fitness BV und der Tunturi-Vertragshändler haften nicht für Fehler, die durch Faktoren außerhalb ihrer Einflussmöglichkeiten hervorgerufen wurden. Die Garantie gilt nur für den ursprünglichen Eigentümer und nur in den Ländern, in denen es einen von der Tunturi New Fitness BV autorisierten Importeur gibt. Die Garantie gilt nicht für solche Fitnessgeräte oder Teile, an denen ohne Zustimmung der Tunturi New Fitness BV Veränderungen vorgenommen worden sind. Die Garantie betrifft auch nicht solche Schäden, die durch natürlichen Verschleiß, fehlerhaften Gebrauch, Benutzung unter für das Gerät nicht vorgesehenen Umständen, Korrosion, Verladung oder Transport hervorgerufen wurden.

Ersatzleistungen aufgrund von Geräuschen, die beim Einsatz des Geräts auftreten, sind von der Garantie ausgeschlossen, sofern diese Geräusche den Gebrauch des Geräts nicht wesentlich beeinträchtigen und nicht durch einen Gerätefehler bedingt sind.

Die Garantie beinhaltet keine Wartungsmaßnahmen, wie Reinigung, Schmieren oder normales Kontrollieren der Teile, auch nicht solche Aufbaumaßnahmen, die der Kunde selbst ausführen kann und die kein spezielles Auseinander- oder Zusammenbauen des Fitnessgeräts erfordern. Zu solchen Maßnahmen gehört beispielsweise das Austauschen von Cockpits, Pedalen oder anderer entsprechender einfacher Teile. Andere als die durch einen autorisierten Tunturi-Vertreter ausgeführten Garantieleistungen werden nicht ersetzt. Durch unsachgemäße, d.h. nicht der Bedienungsanleitung entsprechenden, Bedienung, verfällt jedweder Garantieanspruch.

## **Herstellererklärung**

---

Tunturi New Fitness BV erklärt hiermit, dass das Produkt folgenden Normen und Richtlinien entspricht: EN 957 (HB), 89/336/EWG. Das Produkt trägt daher das CE-Kennzeichen.

01-2017

Tunturi New Fitness BV  
Purmerweg 1  
1311 XE Almere  
The Netherlands

## **Haftungsausschluss**

---

© 2017 Tunturi New Fitness BV  
Alle Rechte vorbehalten.

Produkt und Handbuch können geändert werden.  
Die technischen Daten können ohne Vorankündigung geändert werden.

## Indice

<b>Vélos elliptiques .....</b>	<b>43</b>
<b>Avertissements de sécurité .....</b>	<b>43</b>
Sécurité électrique	44
Description (fig. A)	44
Contenu de l'emballage (fig. B & C)	44
Assemblage (fig. D)	44
<b>Exercices .....</b>	<b>45</b>
Instructions d'entraînement	45
Fréquence cardiaque	45
<b>Usage .....</b>	<b>46</b>
Alimentation électrique (Fig. E)	47
<b>Console (fig F) .....</b>	<b>47</b>
Explication des boutons	47
Fonctionnement	48
<b>Programmes .....</b>	<b>48</b>
Démarrage rapide	48
Fin de l'entraînement	48
Pouls Constant	48
Manuel...	49
Effort Constant	49
T-Ride.....	50
Preset Programmes	50
Profils Personnels	50
Test De Fitness	51
T-Road ...	52
T-Trainer.	52
<b>Paramètres de l'utilisateur .....</b>	<b>53</b>
Journal utilisateur	53
Modifier utilisateur	53
Modifier Utilisateur	53
Effacer utilisateur	54
Changer Utilisateur	54
Créer utilisateur	54
Mode BT (Bluetooth)	54
<b>Nettoyage et maintenance .....</b>	<b>54</b>
Défauts et dysfonctionnements	54
<b>Transport et rangement .....</b>	<b>55</b>
Informations supplémentaires	55
<b>Données techniques .....</b>	<b>55</b>
<b>Garantie .....</b>	<b>55</b>
<b>Déclaration du fabricant .....</b>	<b>56</b>
<b>Limite de responsabilité .....</b>	<b>56</b>

### Français

Ce manuel français est une traduction de la version anglaise. Notez que la version anglaise est en tête dans le contenu lorsque des différences sont trouvées.

## Vélos elliptiques

Bienvenue dans l'univers de Tunturi Fitness !  
 Merci pour votre achat de cet élément d'équipement Tunturi. Tunturi offre toute une gamme d'équipements de fitness professionnels, notamment des vélos elliptiques, tapis de course, vélos d'appartement, rameurs et accessoires. Les équipements Tunturi sont parfaits pour toute la famille, quel que soit le niveau de forme de ses membres. Pour en savoir plus, visitez notre site Web [www.tunturi.com](http://www.tunturi.com)

## Avertissements de sécurité



### AVERTISSEMENT

Lisez les avertissements de sécurité et les instructions. Le non respect des avertissements de sécurité et des instructions est une source de blessure et de dégâts de l'équipement. Conservez les avertissements de sécurité et les instructions pour référence ultérieure.



### AVERTISSEMENT

*Les systèmes de suivi de la fréquence cardiaque peuvent être inexacts. Un exercice excessif peut entraîner des blessures graves voire mortelles. Si vous vous sentez défaillir, interrompez immédiatement l'exercice.*

- L'équipement est adapté à un usage domestique et professionnel uniquement (par ex. hôpitaux, caserne de pompiers, hôtels, écoles, etc.). La durée d'utilisation maximum est limitée à 6 heures par jour. L'équipement n'est pas adapté à un usage commercial complet (par ex. grands centres de gym).
- L'emploi de cet équipement par des enfants ou des personnes affectés d'un handicap physique, sensoriel, mental ou moteur, voire dont l'expérience ou les connaissances s'avèrent insuffisantes est une source de risques. Les personnes chargées de leur sécurité doivent leur fournir des instructions explicites ou superviser leur usage de l'équipement.
- Avant de commencer vos exercices, effectuez un bilan de santé auprès d'un médecin.
- Si vous êtes pris de nausées ou de vertiges ou sentez d'autres symptômes normaux pendant l'entraînement, interrompez immédiatement la session et consultez votre médecin.
- Afin d'éviter toutes douleurs et tensions musculaires, commencez vos séances par des échauffements et terminez-les par une récupération. N'oubliez pas de vous étirer après vos exercices.
- L'équipement est uniquement adapté à un usage

intérieur. L'équipement ne convient pas à un usage extérieur.

- Utilisez l'équipement uniquement dans des environnements correctement ventilés. N'utilisez pas l'équipement dans des endroits exposés aux courants d'air afin de ne pas vous enrhumers.
- Utilisez l'équipement uniquement à une température ambiante entre 10 °C et 35 °C. Rangez l'équipement uniquement à une température ambiante entre 5 °C et 45 °C.
- N'utilisez et ne rangez pas l'équipement dans un environnement humide. L'humidité de l'air ne doit jamais dépasser 80 %.
- Utilisez l'équipement uniquement pour son usage prévu. N'utilisez pas l'équipement pour d'autres usages que ceux décrits dans le manuel.
- N'utilisez pas l'équipement si l'une de ses pièces est endommagée ou défectueuse. Si une pièce est endommagée ou défectueuse, contactez votre revendeur.
- Maintenez vos mains, vos pieds et les autres parties de votre corps à l'écart des pièces mobiles.
- Maintenez votre chevelure à l'écart des pièces mobiles.
- Portez des vêtements et des chaussures adaptés.
- Maintenez les vêtements, bijoux et autres objets à l'écart des pièces mobiles.
- Assurez-vous qu'une seule personne utilise l'équipement à la fois. L'équipement ne doit pas être utilisé par des personnes pesant plus de 135 kg (300 lbs).
- N'ouvrez pas l'équipement sans consulter votre revendeur.

## Sécurité électrique

(Uniquement pour les équipements à alimentation électrique)

- Avant usage, assurez-vous toujours que la tension secteur est identique à celle de la plaque signalétique de l'équipement.
- N'utilisez pas de rallonge.
- Maintenez le câble secteur à l'écart de la chaleur, de l'huile et des bords coupants.
- N'altérez et ne modifiez aucunement le câble secteur ou la fiche secteur.
- N'utilisez pas l'équipement si le câble secteur ou la fiche secteur est endommagé ou défectueux. Si le câble secteur ou la fiche secteur est endommagé ou défectueux, contactez votre revendeur.
- Déroulez toujours complètement le câble secteur.
- Ne passez pas le câble secteur sous l'équipement. Ne passez pas le câble secteur sous un tapis. Ne placez aucun objet sur le câble secteur.
- Assurez-vous que le câble secteur ne pend pas sur le bord d'une table. Assurez-vous que le câble secteur ne peut pas être happé par accident ou faire trébucher.
- Ne laissez pas l'équipement sans surveillance si la

fiche secteur est insérée dans la prise murale.

- Ne tirez pas sur le câble secteur pour retirer la fiche secteur de la prise murale.
- Retirez la fiche secteur de la prise murale lorsque l'équipement n'est pas utilisé, avant l'assemblage et le démontage et avant le nettoyage et la maintenance.

## Description (fig. A)

Votre vélo elliptique est un élément d'équipement de fitness stationnaire servant à simuler la marche ou la course sans exercer de pression excessive sur les jointures.

## Contenu de l'emballage (fig. B & C)

- L'emballage contient les pièces illustrées en fig. B.
- L'emballage contient les fixations illustrées en fig. C. Voir la section "Description".



### NOTE

- Si une pièce manque, contactez votre revendeur.

## Assemblage (fig. D)



### AVERTISSEMENT

- Assemblez l'équipement dans l'ordre indiqué.
- Deux personnes au moins sont nécessaires pour transporter et déplacer l'équipement.



### PRÉCAUTION

- Placez l'équipement sur une surface plane et ferme.
- Placez l'équipement sur une base protectrice pour éviter d'endommager la surface du sol.
- Prévoyez un dégagement d'au moins 100 cm autour de l'équipement.

- Consultez les illustrations pour l'assemblage correct de l'équipement.



### NOTE

- Conservez les outils livrés avec ce produit après son montage, pour d'éventuels entretiens.

## Exercices

Un exercice doit être suffisamment léger mais prolongé. L'exercice aérobique repose sur l'amélioration de l'absorption maximum d'oxygène par le corps, améliorant à son tour l'endurance et la forme. Vous devez transpirer mais sans jamais être à bout de souffle durant l'exercice.

Pour atteindre et entretenir un niveau de forme basique, exercez-vous au moins 3 fois par semaine, par session de 30 minutes. Accroissez le nombre des sessions d'exercice pour améliorer votre niveau de forme. Il est profitable de combiner un exercice régulier et un régime sain. Une personne suivant un régime doit s'exercer au quotidien, au début 30 minutes ou moins pour chaque session afin d'accroître ensuite progressivement le temps d'exercice quotidien pour atteindre une heure. Commencez vos exercices à une vitesse lente et avec une faible résistance pour éviter de soumettre le système cardiovasculaire à une contrainte excessive. À mesure de l'amélioration de votre forme, accroissez progressivement la vitesse et la résistance. L'efficacité de votre exercice est mesurable en suivant votre fréquence cardiaque et votre pouls.

### Instructions d'entraînement

L'utilisation de votre appareil de fitness vous procurera plusieurs avantages : il vous permettra d'améliorer votre forme physique, de tonifier vos muscles et, associé à un régime hypocalorique, de perdre du poids.

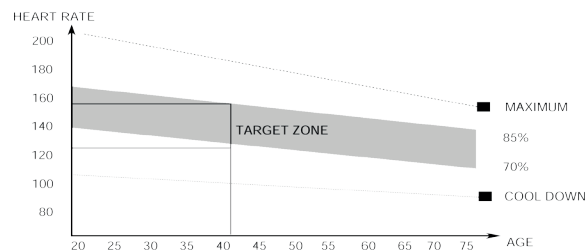
#### Phase d'échauffement

Cette étape favorise la circulation du sang dans tout le corps et le bon fonctionnement des muscles. Elle réduit également le

risque de crampes et de lésions musculaires. Il est conseillé de faire quelques exercices d'étirement, comme ceux qui sont indiqués ci-dessous. Chaque étirement doit être maintenu pendant environ 30 secondes. Ne forcez pas ou n'étirez pas excessivement un muscle. Si vous sentez qu'une position vous fait mal, ARRÊTEZ.

#### Phase d'exercice

C'est l'étape principale de votre entraînement. Après une utilisation régulière de l'appareil, vous sentirez que les muscles de vos jambes ont gagné en souplesse. Il est très important de maintenir un rythme régulier tout au long de la séance. Le rythme de travail doit être suffisant pour faire monter votre rythme cardiaque dans la zone cible indiquée sur le graphique ci-dessous.



Cette étape doit durer au moins 12 minutes, bien que l'on commence généralement à environ 15-20 minutes.

#### Phase de refroidissement

Cette étape a pour objectif de laisser votre système cardiovasculaire et vos muscles reprendre leur rythme normal. Il s'agit d'une répétition de l'exercice d'échauffement. Baissez le rythme et continuez pendant environ 5 minutes. Vous devez ensuite refaire les exercices d'étirement et souvenez-vous de ne pas forcer ou trop étirer un muscle dans une certaine position.

À mesure que vous améliorerez votre forme, vous ressentirez peut-être le besoin de vous entraîner plus longtemps ou de faire des entraînements plus poussés. Il est conseillé de s'entraîner au moins trois fois par semaine et, si possible, d'espacer les séances régulièrement tout au long de la semaine.

#### Tonification musculaire

Pour tonifier vos muscles à l'aide de l'appareil de fitness, vous devrez sélectionner une résistance assez élevée. Les muscles de vos jambes seront davantage sollicités et vous ne pourrez peut-être pas vous entraîner aussi longtemps que vous le voudriez. Si vous souhaitez également améliorer votre forme, vous devrez modifier votre programme d'entraînement. Entraînez-vous normalement pendant les phases d'échauffement et de refroidissement, mais vers la fin de l'exercice, augmentez la résistance en faisant travailler vos jambes davantage. Vous devrez réduire la vitesse pour maintenir votre rythme cardiaque dans la zone cible.

#### Perte de poids

Ici, le facteur important est l'effort que vous déployez. Plus vous entraînez longtemps et de manière soutenue, plus vous brûlerez de calories. C'est en réalité le même principe que pour l'entraînement d'amélioration de la forme ; la différence est l'objectif recherché.

### Fréquence cardiaque

#### Mesure du pouls (pulsomètres)

Le pouls est mesuré par des capteurs dans les poignées lorsque l'utilisateur touche les deux capteurs à la fois. La mesure la plus précise du pouls nécessite une peau légèrement humide et un contact constant des pulsomètres. Si la peau est trop sèche ou humide, la mesure du pouls peut devenir moins précise.

**NOTE**

- N'utilisez pas les pulsomètres en même temps que la sangle thoracique de fréquence cardiaque.
- – Si vous réglez une fréquence cardiaque limite pour votre exercice, une alarme retentit dès qu'elle est dépassée.

**Mesure de la fréquence cardiaque (sangle thoracique de fréquence cardiaque)**

La sangle thoracique de fréquence cardiaque assure la mesure de fréquence cardiaque la plus précise. La fréquence cardiaque est mesurée par un récepteur combiné à la sangle thoracique de fréquence cardiaque. Une mesure précise de la fréquence cardiaque nécessite des électrodes de sangle émettrice légèrement humides et en contact constant avec la peau. Si les électrodes sont trop sèches ou humides, la mesure de la fréquence cardiaque peut devenir moins précise.

**AVERTISSEMENT**

- Si vous portez un stimulateur cardiaque, consultez votre médecin avant d'utiliser une sangle thoracique de fréquence cardiaque.

**PRÉCAUTION**

- Si plusieurs dispositifs de mesure de la fréquence cardiaque sont proches les uns des autres, assurez-vous qu'ils sont au moins distants de 2 mètres.
- En présence d'un récepteur unique de fréquence cardiaque pour plusieurs émetteurs, assurez-vous qu'une seule personne avec un émetteur est à portée de transmission.

**NOTE**

- N'utilisez pas les pulsomètres en même temps que la sangle thoracique de fréquence cardiaque.
- Portez toujours la sangle thoracique de fréquence cardiaque sous vos vêtements, en contact direct avec votre peau. Ne portez pas votre sangle thoracique de fréquence cardiaque par-dessus vos vêtements. Si vous portez la sangle thoracique de fréquence cardiaque sur vos vêtements, il n'y a pas de signal.
- Si vous réglez une fréquence cardiaque limite pour votre exercice, une alarme retentit dès qu'elle est dépassée.
- L'émetteur transmet la fréquence cardiaque à une console jusqu'à une distance de 1,5 mètre. Si les électrodes ne sont pas suffisamment mouillées, votre fréquence cardiaque ne s'affiche pas.
- Certaines fibres des vêtements (par ex. polyester, polyamide) créent de l'électricité statique qui peut empêcher la mesure précise de la fréquence cardiaque.

- Les téléphones portables, télévisions et autres appareils électriques créent un champ électromagnétique susceptible d'empêcher une mesure précise de la fréquence cardiaque.

**Fréquence cardiaque maximum (durant l'exercice)**

La fréquence cardiaque maximum est la fréquence la plus élevée qu'une personne peut atteindre en toute sécurité sous la contrainte de l'exercice. La formule suivante sert à calculer la fréquence cardiaque maximum moyenne :  $220 - \text{ÂGE}$  La fréquence cardiaque maximum varie d'une personne à l'autre.

**AVERTISSEMENT**

- Assurez-vous de ne pas dépasser votre fréquence cardiaque maximum durant l'exercice. Si vous appartenez à un groupe à risque, consultez un médecin.

**Débutant  
50-60% de fréquence cardiaque maximum**

Adapté aux débutants, aux personnes suivant leur poids, aux convalescents et aux personnes ne s'exerçant pas depuis un certain temps. Exercez-vous au moins trois fois par semaine, par session de 30 minutes.

**Avancé  
60-70% de fréquence cardiaque maximum**

Adapté aux personnes souhaitant améliorer et entretenir leur forme. Exercez-vous au moins trois fois par semaine, par session de 30 minutes.

**Expert  
70-80% de fréquence cardiaque maximum**

Adapté aux personnes les plus en forme, habituées aux exercices d'endurance prolongés.

## Usage

**Réglage des pieds de support**

L'équipement comporte 4 pieds de support. Si l'équipement est instable, vous pouvez régler les pieds de support.

- Tournez les pieds de support, selon les besoins, pour placer l'équipement en position stable.
- Serrez les écrous d'arrêt pour bloquer les pieds de support.

**NOTE**

La stabilité de la machine est maximisée lorsque tous les pieds de support sont complètement tournés vers l'intérieur. Vous devez donc commencer à mettre la machine de niveau en tournant tous les pieds de support vers l'intérieur avant de sortir les pieds de support requis pour stabiliser la machine

## Alimentation électrique (Fig. E)

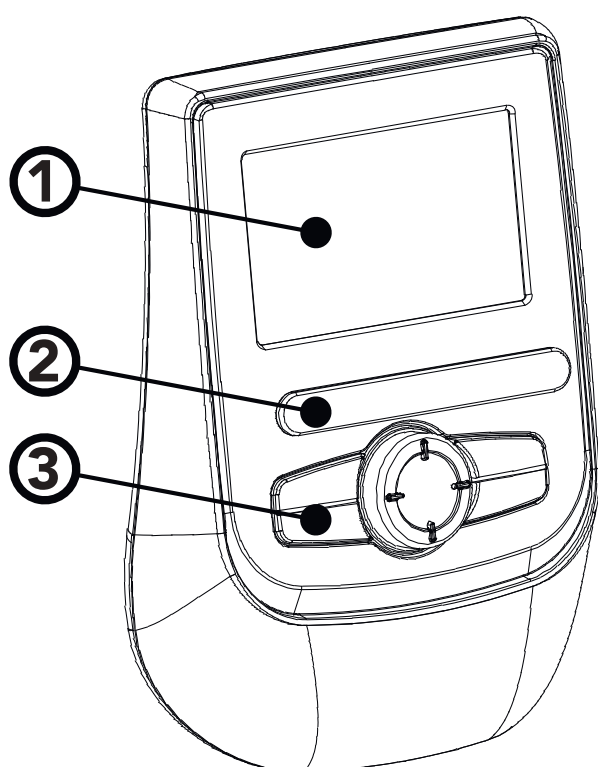
L'alimentation de l'appareil d'entraînement est externe. Reportez-vous à l'illustration pour situer l'entrée de l'alimentation de l'appareil d'entraînement.



### NOTE

- Fixer le transformateur sur la machine avant de le brancher dans une prise murale.
- Toujours retirer le cordon d'alimentation lorsque la machine n'est pas en fonctionnement

## Console (fig F)



1. Écran
2. Assistance tablette/livre
3. Boutons



### PRÉCAUTION

- Maintenez la console à l'écart de la lumière directe du soleil.
- Séchez la surface de la console dès qu'elle est couverte de gouttes de sueur.
- Ne vous appuyez pas sur la console.
- Touchez l'affichage uniquement avec le bout du doigt. Assurez-vous de ne pas toucher l'affichage avec vos ongles ou des objets coupants.



### NOTE

- La console passe en mode de veille si l'équipement n'est pas utilisé pendant 4 minutes.

## Explication des boutons

### BACK/ STOP

- Ce bouton permet de retourner à la fenêtre précédente.
- Il arrête l'entraînement en cours.

### QUICK START

- Commencer l'entraînement sans les réglages actuels.
- Toutes les informations sur l'entraînement s'ajoutent

### MAIN MENU

- Il retourne au menu principal.
- Se tournera vers "Fin de l'entraînement" mode.

### USER SETTING

- Appuyez sur ce bouton pour entrer dans l'écran du mode Utilisateur/ Paramètres.
- Ce bouton est inactif pendant l'entraînement.

### MODE/ ENTER

#### Fonctions de la rotation de la molette

- Dans le menu principal, elle permet de sélectionner un mode d'entraînement.
- Sélection des options du mode Utilisateur/ Paramètres.
- Sélection d'un élément de travail sur l'écran de paramètres.
- Augmente ou diminue la valeur du paramètre.
- Réglage de la valeur cible (plus ou moins) pendant l'entraînement.
- Augmente ou diminue la vitesse pendant un entraînement T-Ride™ ou T-Road.

### Horizontal

Tourner dans le sens des aiguilles d'une montre pour choisir l'option de droite et dans le sens inverse des aiguilles d'une montre pour celle de gauche.

### Vertical

Tourner dans le sens des aiguilles d'une montre pour monter et dans le sens inverse des aiguilles d'une montre pour descendre

### Press functions:

- Confirmation du mode Sport.
- Confirmation de l'option en mode Utilisateur/ Paramètres.
- Configuration de l'élément de travail dans l'écran de configuration.
- Confirmation de la valeur du paramètre.
- Changement d'écran pendant l'entraînement entre bpm-Nm ou bpm-W.
- Changement d'écran pendant T-Ride™ entre bpm-m ou bpm-ft.
- Changement d'écran pendant T-Road entre Vidéo-Profil.

- Pendant T-Trainer™, changement au mode d'encadrement suivant.

## Connexions externes

### Port USB

Le port USB peut être utilisé pour :

- un point de chargement USB.
- Fonctions de maintenance, comme une mise à jour système.



#### NOTE

- Le format NTFS n'est pas pris en charge.

## Fonctionnement

### Marche

- Appuyer sur une touche pour mettre en marche la console en mode veille.

Après avoir chargé l'application (fig. F-01) l'interface de l'utilisateur affichera l'écran du menu principal (fig. F-02).

La machine est alors prête à commencer la programmation de votre séance d'entraînement. Il vous suffit de sélectionner quick start et de commencer.

## Programmes

### Démarrage rapide

- Tourner la molette et sélectionner "Démarrage rapide".
- Appuyer sur la molette pour confirmer la sélection et ouvrir directement l'écran d'entraînement.

(fig. F-03)

L'abscisse représente la durée en minutes entre 0~30. Elle est mise à jour toutes les 15 minutes pendant l'entraînement.

- Pendant que vous faites de l'exercice, appuyez sur le bouton de la molette pour que l'ordonnée s'affiche en Nm ou en bpm.
- Le graphique représente la valeur de couple en Nm. Faites tourner la molette pour régler la valeur de couple.
- La ligne pointillée blanche représente la position en cours, qui se déplace vers la droite à mesure que la durée de l'entraînement augmente. L'écran d'entraînement peut afficher au maximum les données de 5 heures.

## Fin de l'entraînement

L'écran de fin d'entraînement apparaît lorsque l'utilisateur appuie sur Back/Stop ou sur le menu principal, ou quand la ligne pointillée blanche atteint la valeur cible. (Fig. F-04)

### Continuer: (continue)

Sélectionnez "Continue" pour revenir à l'écran d'entraînement

### Quitter: (exit)

Sélectionnez "quitter" pour quitter l'entraînement et retourner à l'écran de la dernière séance.

### Sauver & quitter: (save & exit)

Sélectionnez "Sauver & quitter" et saisissez un nom de fichier en bas de l'écran : utilisez la molette pour sélectionner une lettre A~Z ou un chiffre 0~9. Enregistrez les données de l'entraînement et donnez un nom au fichier pour un nouveau mode d'entraînement

Affiche les données de l'entraînement dans l'écran de la dernière séance

Écran de données de l'entraînement (fig. F-05)

Appuyez sur le bouton de la molette pour retourner au menu principal.

## Pouls Constant

- Tourner la molette et sélectionner "pouls constant".
- Appuyer sur la molette pour confirmer la sélection et ouvrir directement l'écran d'configuration(1). (Fig. F-06)
- Faites tourner la molette pour régler la valeur de rythme cardiaque. (le pourcentage varie avec la valeur de bpm)
- Appuyez sur la molette pour confirmer la sélection et entrez dans l'écran Paramètres (2).(Fig F-07).
- Tournez la molette pour sélectionner un élément.
- Appuyez sur le bouton de la molette pour confirmer et continuer à définir les paramètres de droite.
- Tournez la molette pour changer les paramètres.
- Appuyez sur la molette pour confirmer la sélection et entrez dans l'écran d'entraînement. (Fig. F-08).

L'unité de l'abscisse s'affiche en fonction de la sélection des valeurs Énergie/Temps/Distance dans l'écran

Configuration :

Unité d'énergie :	kcal
Unité de temps :	min
Unité de distance :	Km
	(dans le système métrique)
	mile
	(dans le système impérial)



- Pendant que vous faites de l'exercice, appuyez sur le bouton de la molette pour afficher l'ordonnée en W ou en bpm.
- Le graphique représente la valeur de rythme cardiaque cible en bpm. Faites tourner la molette pour régler la valeur de rythme cardiaque.
- La ligne pointillée blanche représente la position en cours, qui se déplace vers la droite à mesure que les valeurs de calories/temps/distance augmentent.
- Programmation de la console : La console aide l'utilisateur à atteindre un objectif en fonction du rythme cardiaque cible qu'il a prédéfini pendant l'entraînement. Lorsque le rythme cardiaque réel est supérieur à la valeur cible, le système réduit la valeur de Watts ; à l'inverse, il augmente la valeur de Watts si le rythme cardiaque réel est en dessous de la valeur cible.
- Le message « Pas de rythme cardiaque » s'affiche si le rythme cardiaque de l'utilisateur n'est pas détecté pendant l'entraînement.

Pour arrêter votre entraînement, reportez-vous à la section :  
"Fin de l'entraînement "

## Manuel

- Tourner la molette et sélectionner "manuel".
- Appuyer sur la molette pour confirmer la sélection et ouvrir directement l'écran d'configuration(1) (Fig. F-09).
- Tournez la molette pour sélectionner un élément.
- Appuyez sur le bouton de la molette pour confirmer et continuer à définir les paramètres de droite.
- Tournez la molette pour changer les paramètres.
- Appuyez sur la molette pour confirmer la sélection et entrez dans l'écran d'entraînement. (Fig. F-03)

L'unité de l'abscisse s'affiche en fonction de la sélection des valeurs Énergie/Temps/Distance dans l'écran Configuration :

Unité d'énergie :	kcal
Unité de temps :	min
Unité de distance :	km
	(dans le système métrique)
	mile
	(dans le système impérial)

- Pendant que vous faites de l'exercice, appuyez sur le bouton de la molette pour que l'ordonnée s'affiche en Nm ou en bpm.
- Le graphique représente la valeur de couple en Nm. Faites tourner la molette pour régler la valeur de couple.
- La ligne pointillée blanche représente la position en cours, qui se déplace vers la droite à mesure que les valeurs de calories/temps/distance augmentent.

Pour arrêter votre entraînement, reportez-vous à la section :  
"Fin de l'entraînement "

## Effort Constant

- Tourner la molette et sélectionner "effort constant".
- Appuyer sur la molette pour confirmer la sélection et ouvrir directement l'écran d'configuration(1). (Fig.F-10).
- Faites tourner la molette pour régler la valeur de Watts cible.
- Appuyez sur la molette pour confirmer la sélection et entrez dans l'écran Configuration (2) (Fig. F-11)
- Tournez la molette pour sélectionner un élément.
- Appuyez sur le bouton de la molette pour confirmer et continuer à définir les paramètres de droite.
- Tournez la molette pour changer les paramètres.
- Appuyez sur la molette pour confirmer la sélection et entrez dans l'écran d'entraînement. (Fig. F-12).

L'unité de l'abscisse s'affiche en fonction de la sélection des valeurs Énergie/Temps/Distance dans l'écran Configuration :

Unité d'énergie :	kcal
Unité de temps :	min
Unité de distance :	km
	(dans le système métrique)
	mile
	(dans le système impérial)

- Pendant que vous faites de l'exercice, appuyez sur le bouton de la molette pour que l'ordonnée s'affiche en Nm ou en bpm.
- Le graphique représente la valeur de Watts. Faites tourner la molette pour régler la valeur de Watts.
- La ligne pointillée blanche représente la position en cours, qui se déplace vers la droite à mesure que les valeurs de calories/temps/distance augmentent.
- Programmation de la console : La console aide l'utilisateur à atteindre un objectif en fonction de la valeur de Watts cible qu'il a prédéfinie pendant l'entraînement. Lorsque la valeur de Watts réelle est > à la valeur cible, le système réduit la valeur de Watts ; à l'inverse, il augmente la valeur de Watts si la valeur de Watts réelle est < à la valeur cible

Pour arrêter votre entraînement, reportez-vous à la section :  
"Fin de l'entraînement "

## T-Ride

- Tourner la molette et sélectionner "T-Ride".
- Appuyer sur la molette pour confirmer la sélection et ouvrir directement l'écran d'configuration(1) (Fig F-13).
- Tournez la molette pour sélectionner: Haut et bas (top and down) - Trail - Easy Ride - Marathon - Boucle courte (short loop).
- Appuyez sur la molette pour confirmer la sélection et entrez dans l'écran Configuration (2) (Fig. F-14)
- Choisissez le point de départ de l'entraînement : faites tourner la molette pour régler la ligne pointillée blanche de gauche et appuyez sur le bouton de la molette pour confirmer..
- Choisissez le point final de l'entraînement : faites tourner la molette pour régler la ligne pointillée blanche de droite et appuyez sur le bouton de la molette pour confirmer. Entrez ensuite dans l'écran d'entraînement. (Fig. F-15)

L'abscisse est affichée en unité de distance (Km dans le système métrique et mile dans le système impérial).

- Pendant que vous faites de l'exercice, appuyez sur le bouton de la molette pour que l'ordonnée affiche les m ou les bpm, dans le système métrique, ou les ft ou les bpm, dans le système impérial.
- La ligne pointillée blanche représente la position en cours, qui se déplace vers la droite à mesure que la distance augmente.
- Sur la droite de l'écran, on trouve le changement de vitesse, de 1 à 8.
- Tournez la molette pour changer la vitesse.
- L'icône blanche + 0° en bas à gauche de l'écran représente le niveau d'inclinaison. Il varie lorsque le niveau d'inclinaison du Profil change.
- L'écran Dernière séance affiche les données de l'entraînement. Appuyez sur le bouton de la molette pour retourner au Menu principal.

Pour arrêter votre entraînement, reportez-vous à la section :  
"Fin de l'entraînement "

## Preset Programmes

- Tourner la molette et sélectionner "Preset programmes".
- Appuyer sur la molette pour confirmer la sélection et ouvrir directement l'écran d'configuration(1) (Fig. F-16).
- Tournez la molette pour sélectionner :
- Effort Constant: Rolling Hills - Hill Climb - Cross Country - Stamina - Power Éléments Interval et

Contrôle du rythme cardiaque :  
Fat burner 1 - Fat burner 2 - Cardio Strength - Cardio Climb - Cardio Interval.

- Appuyez sur la molette pour confirmer la sélection et entrez dans l'écran Configuration (2). (Fig. F-17).
- Tournez la molette pour sélectionner un élément.
- Appuyez sur le bouton de la molette pour confirmer et continuer à définir les paramètres de droite.
- Tournez la molette pour changer les paramètres.
- Appuyez sur la molette pour confirmer la sélection et entrez dans l'écran d'entraînement. (Fig F-18).



### NOTE

#### Écran d'entraînement :

L'écran d'entraînement dépend du mode d'entraînement dans lequel vous vous trouvez.

Mode Nm manuel :

Ce mode est identique au mode Manuel.

Mode Effort Constant :

Ce mode est identique au mode Watt des programmes prédéfinis.

Mode Pouls Constant :

Ce mode est identique au mode Rythme cardiaque des programmes prédéfinis.

Pour arrêter votre entraînement, reportez-vous à la section :  
"Fin de l'entraînement "

## Profils Personnels

- Tourner la molette et sélectionner "Profils personnels".
- Appuyer sur la molette pour confirmer la sélection et ouvrir directement l'écran d'configuration(1) (Fig. F-20).



### NOTE

- Si aucun entraînement enregistré n'est trouvé, (fig. F-19) la fenêtre ci-dessous s'affichera.
- Appuyez sur la molette pour retourner au menu principal.

L'écran Configuration (1) affiche les éléments et les entraînements que l'utilisateur a enregistrés. Ils s'affichent dans l'écran de droite et de gauche.

- Tournez la molette pour sélectionner un élément.
- Appuyez sur le bouton de la molette pour confirmer la sélection et ouvrir la fenêtre de sélection.. (Fig. F-21).
- Tournez la molette et sélectionnez un élément (Fig. F-22).

**"Relire " (Replay)**

- Appuyez sur le bouton de la molette pour confirmer.  
Entrez dans l'écran d'entraînement et continuez l'entraînement précédent

**"Modifier" ("Edit")**

- Appuyez sur la molette pour confirmer.
- Entrez dans l'écran et modifiez le paramètre.
- Appuyez sur la molette pour confirmer et entrez dans l'écran d'entraînement.

**"Supprimer" (Delete)**

- Tournez la molette pour sélectionner un élément.
- Appuyez sur le bouton de la molette pour confirmer la sélection et ouvrir la fenêtre de sélection.
- Choisissez Oui pour effacer le fichier sélectionné ; choisissez Non pour ne pas effacer le fichier sélectionné.. (Fig. F23).
- Appuyez sur le bouton de la molette pour confirmer.

**Test De Fitness**

- Tourner la molette et sélectionner "Test De Fitness".
- Appuyer sur la molette pour confirmer la sélection et ouvrir directement l'écran d'configuration(1).

**NOTE**

- Pour effectuer un test de forme, l'interface doit disposer des données de l'utilisateur. Si les données de l'utilisateur ne sont pas disponibles, le test de forme ne peut commencer. Le message ci-dessous s'affichera. ( Fig. F-24)
- Appuyez sur la molette pour retourner au menu principal.
- Tournez la molette pour sélectionner un élément. (Inactif / Actif / Mode athlétique). (Fig. F-25).
- Appuyez sur le bouton de la molette pour confirmer la sélection et ouvrir l'écran Configuration (Fig F-26).
- Faites tourner la molette pour définir le rythme cardiaque de l'utilisateur dans la valeur Max Vo2. (La fourchette est entre 68~220bpm.par défaut : 85% du RC max et affiche le RC max (bpm) et le poids (kg) de l'utilisateur.
- Appuyez sur le bouton de la molette pour confirmer la sélection et ouvrir la fenêtre d'information (Fig. F-27).
- Appuyez sur le bouton de la molette pour confirmer la sélection et ouvrir l'écran d'entraînement.

*Écran d'entraînement*

*Ce mode est identique au mode Rythme cardiaque des programmes prédéfinis.*

**L'écran affiche :****"Echec du test!" si:**

La durée de l'entraînement est trop courte.  
La valeur de RPM est trop faible.  
La cible de RC n'est pas atteinte.  
Le RC est inférieur à 110 bpm.

**"Frequence cardiaque non detectee!" si:**

Le rythme cardiaque de l'utilisateur n'est pas détecté.

Appuyez sur Back/stop ou sur le bouton Menu principal pour quitter l'écran d'entraînement

**"Cible FC atteinte! Continuer de pédaler"**

L'utilisateur a atteint sa cible.

Appuyez sur le bouton de la molette pour finir le test et afficher l'écran de données de l'entraînement. (Fig. F-29).

- Appuyez sur la molette pour retourner au menu principal.

Pour arrêter votre entraînement, reportez-vous à la section :  
"Fin de l'entraînement "

**Tableau de résultats du test de VO2 Max**

Homme/ Maximal oxygen uptake (VO2MAX)							
1 = pauvre / 7 = Excellent							
Âge	1	2	3	4	5	6	7
18-19	<33	33-38	39-44	45-51	52-57	58-63	>63
20-24	<32	32-37	38-43	44-50	51-56	57-62	>62
25-29	<31	31-35	36-42	43-48	49-53	54-59	>59
30-34	<29	29-34	35-40	41-45	46-51	52-56	>56
35-39	<28	28-32	33-38	39-43	44-48	49-54	>54
40-44	<26	26-31	32-35	36-41	42-46	47-51	>51
45-49	<25	25-29	30-34	35-39	40-43	44-48	>48
50-54	<24	24-27	28-32	33-36	37-41	42-46	>46
55-59	<22	22-26	27-30	31-34	35-39	40-43	>43
60-65	<21	21-24	25-28	29-32	33-36	37-40	>40

**Femme/ Maximal oxygen update (VO2MAX)**

1 = very poor / 7 = Excellent

Âge	1	2	3	4	5	6	7
18-19	<28	28-32	33-37	38-42	43-47	48-52	>52
20-24	<27	27-31	32-36	37-41	42-46	47-51	>51
25-29	<26	26-30	31-35	36-40	41-44	45-49	>49
30-34	<25	25-29	30-33	34-37	38-42	43-46	>46
35-39	<24	24-27	28-31	32-35	36-40	41-44	>44
40-44	<22	22-25	26-29	30-33	34-37	38-41	>41
45-49	<21	21-23	24-27	28-31	32-35	36-38	>38
50-54	<19	19-22	23-25	26-29	30-32	33-36	>36
55-59	<18	18-20	21-23	24-27	28-30	31-33	>33
60-65	<16	16-18	19-21	22-24	25-27	28-30	>30

**T-Road**

- Tourner la molette et sélectionner "Test De Fitness".
- Appuyer sur la molette pour confirmer la sélection et ouvrir directement l'écran d'configuration(1) (Fig. F-30).

3 parcours peuvent être sélectionnés.

À savoir : Tuscany Sandy Road/ Tuscany Scenrey Road/ Tuscany Country Road.

- Tournez la molette et sélectionnez votre parcours d'entraînement.
- Appuyez sur la molette pour confirmer la sélection et entrez dans l'écran vidéo de l'entraînement
- Appuyez sur la molette pendant l'entraînement pour passer de l'écran Vidéo (fig. F-31) à l'écran Profil (Fig. F-32)

**Dans l'écran Profil :**

- La ligne pointillée blanche représente la position en cours, qui se déplace vers la droite à mesure que la durée de l'entraînement augmente.
- La courbe orange affiche le rythme cardiaque réel de l'utilisateur qui varie à mesure que la fréquence cardiaque augmente ou diminue

**Dans l'écran Vidéo :**

- Sur la droite de l'écran, on trouve le changement de vitesse, de 1 à 8. Tournez la molette pour changer la vitesse.

- L'icône blanche + 0° en bas à gauche de l'écran représente le niveau d'inclinaison. Il varie lorsque le niveau d'inclinaison du Profil change.
- Appuyez sur Back/stop ou Main menu pour quitter l'écran d'entraînement. Cet écran se ferme également lorsque la ligne pointillée blanche aura atteint la valeur cible

Pour arrêter votre entraînement, reportez-vous à la section : "Fin de l'entraînement "

**T-Trainer**

**NOTE**

Cette fonction est disponible uniquement sur les modèles Cross trainer.

- Tourner la molette et sélectionner "T-Trainer".
- Appuyer sur la molette pour confirmer la sélection et entrer dans l'écran d'entraînement, en commençant par le mode à intervalles Free Ride.

**Écran d'entraînement**

- Affiche le mode d'entraînement pendant 10 secondes, puis passe en mode Entraînement.
- Il existe six modes d'entraînement :
- À savoir : Arm Push/ Arm Pull/ Forward Pedal/ Backward Pedal/ Forward Lean/ Squat.
- Entre chaque mode d'entraînement il y a une minute d'intervalle de Free Ride.(Fig. F-36)
- Le message affiché à l'écran : "Slow down" (ralentir) / "Speed up" (accélérer) / "Speed ok" (vitesse ok) informe l'utilisateur qu'il doit accélérer ou ralentir.
- En appuyant sur le bouton de la molette, le programme passe au mode d'entraînement suivant sans afficher aucun message.
- L'abscisse représente la durée en minutes entre 0~30. Les données sont mises à jour toutes les 15 minutes pendant l'entraînement.
- L'ordonnée représente la fréquence cardiaque en bpm.
- Le graphique représente la valeur de couple en Nm. Faire tourner la molette pour régler la valeur de couple.
- La ligne pointillée blanche représente la position en cours, qui se déplace vers la droite à mesure que la durée de l'entraînement augmente. L'écran d'entraînement peut afficher au maximum les données de 5 heures.
- La courbe orange affiche le rythme cardiaque réel de l'utilisateur qui varie à mesure que la fréquence cardiaque augmente ou diminue.

- Dans le coin supérieur droit de l'écran, on trouve le décompte final du mode d'entraînement actif en cours. Il revient à zéro lorsque le programme passe au mode d'entraînement suivant.
- Dans le coin inférieur gauche, on trouve les messages : "Slow down" (ralentir) / "Speed up" (accélérer) / "Speed ok" (vitesse ok) qui rappellent à l'utilisateur qu'il doit accélérer ou ralentir.
- Appuyez sur Back/stop ou sur le bouton Menu principal pour quitter l'écran d'entraînement.

Écran Mode d'entraînement (Fig. 37)

Pour arrêter votre entraînement, reportez-vous à la section :  
"Fin de l'entraînement "

## Paramètres de l'utilisateur

Appuyez sur le bouton "Paramètres de l'utilisateur" pour entrer dans le menu principal Utilisateur/ Paramètres

- Utilisez la molette pour sélectionner l'un des six éléments disponibles.
- Appuyez sur le bouton de la molette pour confirmer et entrer dans l'écran de configuration de l'élément sélectionné

### Journal utilisateur

Sélectionnez "Journal utilisateur" pour visualiser les données d'entraînement de l'utilisateur sélectionné. Vous pouvez afficher soit les données de la dernière séance, soit un récapitulatif de l'ensemble des séances de l'utilisateur. (fig. F-33).

Quittez les données d'entraînement en appuyant sur BACK/STOP.

### Modifier utilisateur

En sélectionnant "Modifier utilisateur" vous pouvez

- Régler la luminosité (50% par défaut).
- Vérifier le kilométrage total de la machine.
- Vérifier la durée d'utilisation totale de la machine.
- Vérifier la version du firmware et du logiciel par défaut de la Console.
- Modifier la langue.
- Choisir d'activer le son des boutons (yes) ou de le désactiver (non).

Fenêtre Paramètres de l'utilisateur. (Fig. F-35).

### Comment modifier les paramètres

- Tournez la molette pour sélectionner un élément modifiable.
- Appuyez sur la molette pour ouvrir l'élément sélectionné dans la partie de droite de l'écran afin de le modifier.
- Tournez la molette pour changer la valeur du paramètre sélectionné.
- Appuyez sur la molette pour confirmer la modification.
- Faites tourner la molette pour sélectionner l'élément suivant ou utilisez le bouton Back/ Stop pour retourner au menu de paramètres.

### Modifier Utilisateur

En sélectionnant Modifier Utilisateur vous pouvez: (Fig. F-34).

#### Le nom d'utilisateur

- Tournez la molette pour sélectionner "Name".
- Appuyez sur la molette pour ouvrir "Nom" edit.
- Tournez la molette pour sélectionner une lettre.
- Appuyez sur la molette pour confirmer.
- Tournez la molette pour sélectionner la lettre suivante.
- Lorsque vous avez terminé de modifier le nom, sélectionnez "✓" pour confirmer le nom et retourner au menu Edit User.

#### Unités, Affichage

- Tournez la molette pour sélectionner "Unités".
- Appuyez sur la molette pour ouvrir "Unités" edit.
- Tournez la molette pour sélectionner
- Metric :. affiche les unités en km/km/h/Kcal
- Imperial : affiche les unités en mile/mph/kcal.
- Appuyez sur la molette pour confirmer et retourner au menu Modifier Utilisateur.

#### Afficher

- Tournez la molette pour sélectionner "Afficher".
- Appuyez sur la molette pour ouvrir "afficher" edit.
- Tournez la molette pour sélectionner
- Chronologique :. le système comptera de zéro jusqu'à la durée/distance prédéfinie
- Compte à rebours: le système comptera depuis la durée/distance définie jusqu'à zéro.
- Appuyez sur la molette pour confirmer et retourner au menu Modifier utilisateur.

#### Sexe

- Tournez la molette pour sélectionner "Sexe".
- Appuyez sur la molette pour ouvrir "Sexe" edit.
- Tournez la molette pour sélectionner Masculin/ Féminin.
- Appuyez sur la molette pour confirmer et retourner au menu Modifier utilisateur.

## Âge

- Tournez la molette pour sélectionner "âge".
- Appuyez sur la molette pour ouvrir "âge" edit.
- Tournez la molette pour changer l'âge.
- Appuyez sur la molette pour confirmer et retourner au menu Modifier utilisateur.

## Taille

- Tournez la molette pour sélectionner "Taille".
- Appuyez sur la molette pour ouvrir "Taille" edit.
- Faites tourner la molette pour modifier la taille (en cm lorsque vous avez choisi le système métrique et en ft/ inch lorsque vous avez choisi le système Impérial).
- Appuyez sur la molette pour confirmer et retourner au menu Modifier utilisateur.

## Poids

- Tournez la molette pour sélectionner "Poids".
- Appuyez sur la molette pour ouvrir "poids" edit.
- Faites tourner la molette pour modifier le poids (en kg lorsque vous avez choisi Métrique et en lbs lorsque vous avez choisi Impérial).
- Appuyez sur la molette pour confirmer et retourner au menu Modifier utilisateur.

## FC Max

- Tournez la molette pour sélectionner "FC Max".
- Appuyez sur la molette pour ouvrir "FC Max" edit.
- Faites tourner la molette pour changer le FC max par défaut, prédéfini comme :  
Pour les hommes: 220-âge  
pour les femmes : 226-âge  
Appuyez sur la molette pour confirmer et retourner au menu Modifier utilisateur.

## Effacer utilisateur

En sélectionnant "Effacer Utilisateur" vous pouvez :

- Supprimer un utilisateur et toutes ses données.
- Faites tourner la molette et sélectionnez l'utilisateur que vous souhaitez supprimer.
- Appuyez sur la molette pour supprimer l'utilisateur sélectionné et retourner au menu de paramètres.



### NOTE

- L'utilisateur sera alors supprimé immédiatement

## Changer Utilisateur

En sélectionnant "changer Utilisateur" vous pouvez

- Sélectionner un autre profil d'utilisateur prédéfini.
- Faites tourner la molette et sélectionnez l'utilisateur que vous souhaitez activer.
- Appuyez sur la molette pour confirmer l'utilisateur sélectionné et retourner au menu de paramètres.

## Créer utilisateur

En sélectionnant "Créer utilisateur" vous pouvez créer un nouveau profil d'utilisateur. Un maximum de 8 utilisateurs peuvent être installés.

Consultez la section Edit User pour savoir comment créer un utilisateur.

## Mode BT (Bluetooth)

Tourner le bouton rotatif pour choisir le mode BT, et appuyer le bouton en mode BT.

## Connexion BT

Le module Bluetooth sera activé et connectera automatiquement le dispositif BT lorsque l'écran sera en mode Bluetooth.

Appuyer sur le bouton rotatif ou le bouton précédent pour quitter la page et désactiver le module Bluetooth.

## Nettoyage et maintenance

Cet équipement ne nécessite aucune maintenance spéciale. L'équipement n'a besoin d'aucune calibration après son assemblage, son utilisation et son entretien conformément aux instructions.



### AVERTISSEMENT

- Avant le nettoyage et la maintenance, retirez l'adaptateur.
- N'utilisez aucun solvant pour nettoyer l'équipement.
- Nettoyez l'équipement avec un chiffon doux et absorbant après chaque usage.
- Vérifiez régulièrement le serrage de tous les écrous et vis.
- Si nécessaire, lubrifiez les joints.

## Défauts et dysfonctionnements

Malgré un contrôle continu de la qualité, des défauts ou des dysfonctionnements peuvent être occasionnés par des composants individuels. La plupart du temps, il vous suffit de remplacer la pièce défectueuse.

- Si l'équipement ne fonctionne pas correctement, contactez immédiatement le revendeur.
- Fournissez le numéro de modèle et le numéro de série de l'équipement au revendeur. Mentionnez la nature du problème, les conditions d'usage et la date d'achat.

## Transport et rangement



### AVERTISSEMENT

- – Avant le transport et le stockage, retirez l'adaptateur.
  - – Deux personnes au moins sont nécessaires pour transporter et déplacer l'équipement.
- En vous tenant devant l'équipement de chaque côté, saisissez fermement ses guidons. Levez l'avant de l'équipement pour que l'arrière repose sur les roues. Déplacez l'équipement et reposez-le prudemment. Placez l'équipement sur une base protectrice pour éviter d'endommager la surface du sol.
- Déplacez prudemment l'équipement sur les surfaces irrégulières. Ne déplacez pas l'équipement sur ses roues pour monter des escaliers mais transportez-le par les guidons.
- Rangez l'équipement dans un endroit sec exposé à des variations de température minimales.

## Informations supplémentaires

### Élimination des emballages

Les réglementations gouvernementales nous demandent de réduire la quantité de matériaux déposés dans les décharges. C'est pour cela que nous faisons appel à votre responsabilité et vous demandons de déposer les emballages dans des centres de recyclage publics.

### Élimination du produit

Chez Tunturi, nous espérons que vous profiterez longtemps de votre appareil de fitness. Cependant, nous savons bien qu'un jour ou l'autre votre machine arrivera au terme de sa vie utile. Selon la directive européenne sur les DEEE, vous êtes responsable de vous séparer correctement de votre appareil de fitness en le déposant dans un site public agréé de récupération des déchets.

## Données techniques

Paramètre	Unité de mesure	Valeur
Longueur	cm inch	146 57.5
Largeur	cm inch	67 26.4
Hauteur	cm inch	164 64.6
Poids	kg lbs	65.9 145
Poids maxi. utilisateur	kg lbs	135 300
Adaptateur	V Ma.	26V-DC 2.3 A

## Garantie

### Garantie du propriétaire d'un équipement de Tunturi

#### Conditions de garantie

Le consommateur dispose des droits légaux accordés par la législation nationale applicable au commerce des produits de consommation courante et cette garantie ne limite ces droits en aucun cas. La « Garantie du propriétaire » est valable uniquement si l'équipement est utilisé dans l'environnement correspondant à celui déterminé par Tunturi New Fitness BV. L'environnement d'utilisation de chaque appareil est mentionné dans le mode d'emploi fourni avec l'appareil en question.

#### Conditions de garantie

Les conditions de garantie sont applicables à compter de la date d'achat et peuvent varier selon les pays. Demandez conseil à votre revendeur.

#### Étendue de la garantie

En aucun cas Tunturi New Fitness BV, le revendeur ou le distributeur Tunturi ne répondra des éventuels dommages spéciaux, indirects, secondaires ou consécutifs, de quelque nature que ce soit, liés à l'utilisation de ou à l'inaptitude à utiliser cet équipement.

## Restrictions de garantie

La garantie couvre les défauts de fabrication et de matériaux dans un équipement d'origine, sorti d'usine et conditionné par Tunturi New Fitness BV. La garantie couvre uniquement les défauts apparaissant lors d'une utilisation normale et conforme aux instructions du manuel du propriétaire, à condition que les instructions de montage, de maintenance et d'utilisation établies par Tunturi New Fitness BV aient été respectées. Tunturi New Fitness BV et les revendeurs Tunturi ne répondent pas des défauts occasionnés par des conditions indépendantes de leur volonté. La garantie est applicable uniquement au premier acheteur et est valable uniquement dans les pays où Tunturi New Fitness BV dispose d'un distributeur agréé. La garantie ne s'étend pas aux équipements de fitness ou aux pièces qui ont été modifiées sans l'autorisation de Tunturi New Fitness BV. La garantie ne s'applique pas aux défauts provenant d'une usure normale, d'une utilisation inadaptée, d'une utilisation dans des conditions non prévues par le fabricant, de la corrosion ou d'un dommage intervenu lors du chargement ou du transport.

La garantie ne couvre pas les sons ou les bruits émis par l'équipement s'ils ne gênent pas son utilisation et s'ils ne sont pas provoqués par un dysfonctionnement.

La garantie ne couvre pas non plus les mesures de maintenance, telles que le nettoyage, la lubrification ou la vérification normale des pièces, ni les actions que le client peut effectuer lui-même et qui n'exigent pas particulièrement de monter/ démonter l'équipement.

Ces actions sont par exemple le changement des compteurs, des pédales ou autres pièces similaires faciles à changer. Seules les réparations sous garantie effectuées par un revendeur ou par le distributeur agréé Tunturi seront prises en charge. Le non-respect des instructions décrites dans le Manuel de l'Utilisateur entraînera l'annulation de la garantie.

## Déclaration du fabricant

Tunturi Fitness BV déclare que le produit est conforme aux directives et normes suivantes : EN 957 (HB), 89/336/CEE. Ce produit porte donc la marque CE.

01-2017

Tunturi New Fitness BV  
Purmerweg 1  
1311 XE Almere  
Pays-Bas

## Limite de responsabilité

© 2017 Tunturi New Fitness BV

Tous les droits réservés.

Le produit et le manuel sont sujets à modifications. Les spécifications peuvent changer sans préavis.



## Inhoud

<b>Crosstrainer</b> .....	<b>57</b>
<b>Veiligheidswaarschuwingen</b> .....	<b>57</b>
Elektrische veiligheid	58
Beschrijving (fig. A)	58
Inhoud van de verpakking (fig. B & C)	58
Assemblage (fig. D)	58
<b>Trainingen</b> .....	<b>58</b>
Instructies	59
<b>Gebruik</b> .....	<b>60</b>
Voeding (Fig. E)	60
<b>Console (fig F)</b> .....	<b>61</b>
Button functies	61
Bediening	61
<b>Programma's</b> .....	<b>62</b>
Snel start	62
Stop de training	62
Doelhartslag	62
Manueel.	62
Watt gestuurd	63
T-Ride.....	63
Preset Programma's	63
Eigen trainingen	64
Fitnessstest	64
T-Road ...	65
T-Trainer.	66
<b>Gebruiker/ instellingen</b> .....	<b>66</b>
Dagboek	66
Gebruikersinstellingen	66
Aanpassen	66
Verwijderen	67
Kies gebruiker	67
Aanmaken	67
Modus BT (Bluetooth)	68
<b>Reiniging en onderhoud</b> .....	<b>68</b>
Defecten en storingen	68
<b>Transport en opslag</b> .....	<b>68</b>
Aanvullende informatie	68
<b>Technische gegevens</b> .....	<b>69</b>
<b>Garantie</b> .....	<b>69</b>
<b>Verklaring van de fabrikant</b> .....	<b>69</b>
<b>Disclaimer</b> .....	<b>70</b>

### Nederlands

Deze Nederlandse handleiding is een vertaling van de Engelse tekst. Aan deze vertaling kunnen geen rechten ontleend worden. De originele Engelse tekst blijft leidend.

## Crosstrainer

Welkom in de wereld van Tunturi Fitness!  
Hartelijk dank voor uw aankoop van dit Tunturi-toestel. Tunturi biedt een grote verscheidenheid aan professionele toestellen zoals crosstrainers, loopbanden, fietstrainers, roeimachines en accessoires. Het Tunturi-toestel is geschikt voor de hele familie, onafhankelijk van de conditie. Meer informatie vindt u op de website [www.tunturi.com](http://www.tunturi.com)

## Veiligheidswaarschuwingen



### WAARSCHUWING

*Lees de veiligheid-waarschuwingen en de instructies. Het niet opvolgen van de veiligheid-waarschuwingen en de instructies kan persoonlijk letsel of beschadiging van het toestel veroorzaken. Bewaar de veiligheid-waarschuwingen en instructies voor toekomstig gebruik.*



### WAARSCHUWING

*Hartslag-bewakingssystemen kunnen onnauwkeurig zijn. Overmatig trainen kan leiden tot ernstig letsel of de dood. Als u zich duizelig voelt, stop dan onmiddellijk met trainen.*

- Het toestel is uitsluitend geschikt voor huishoudelijk en professioneel gebruik (bijv. ziekenhuizen, brandweerkazernes, hotels, scholen, etc.). Het maximum gebruik is beperkt tot 6 uur per dag. Het toestel is niet geschikt voor volledig commercieel gebruik (bijv. grote sportscholen).
- Het gebruik van dit toestel door kinderen of personen met fysieke, sensorische, geestelijke of motorische handicaps, of met gebrek aan ervaring en kennis kan gevaar veroorzaken. De personen die verantwoordelijk zijn voor hun veiligheid moeten uitdrukkelijke instructies geven of toezicht houden op het gebruik van het toestel.
- Laat uw gezondheid door een arts controleren voordat u met uw training begint.
- Als u misselijkheid, duizeligheid of andere abnormale symptomen ervaart, stop dan onmiddellijk met uw training en raadpleeg een arts.
- Om spierpijn en te zware belasting te voorkomen, moet u elke training beginnen met een warming-up en eindigen met een cooling-down. Vergeet niet om uw spieren te strekken aan het einde van de training.
- Het toestel is uitsluitend geschikt voor gebruik binnenshuis. Het toestel is niet geschikt voor gebruik buitenshuis.
- Gebruik het toestel alleen in een omgeving met voldoende ventilatie. Gebruik het toestel niet in een tochtige omgeving om geen kou te vatten.

- Gebruik het toestel alleen in een omgeving met een omgevingstemperatuur tussen 10 °C en 35 °C. Berg het toestel alleen op bij een omgevingstemperatuur tussen 5 °C en 45 °C.
- Gebruik het toestel niet in een vochtige omgeving. Berg het toestel niet op in een vochtige omgeving. De luchtvochtigheid mag nooit meer zijn dan 80%.
- Gebruik het toestel alleen voor het doel waarvoor het gemaakt is. Gebruik het toestel niet voor andere doelstellingen dan beschreven in de handleiding.
- Gebruik het toestel niet als een onderdeel is beschadigd of niet goed werkt. Raadpleeg uw dealer als een onderdeel is beschadigd of niet goed werkt.
- Houd uw handen, voeten en andere lichaamsdelen uit de buurt van de bewegende delen.
- Houd uw haar uit de buurt van de bewegende delen.
- Draag geschikte kleding en schoenen.
- Houd kleding, sieraden en andere voorwerpen uit de buurt van de bewegende delen.
- Zorg ervoor dat het toestel slechts door één persoon tegelijk wordt gebruikt. Het toestel mag niet worden gebruikt door personen die meer dan 135 kg (300 lbs) wegen.
- Maak het toestel niet open zonder eerst uw dealer te raadplegen.

## Elektrische veiligheid

(Uitsluitend voor toestellen met elektrisch vermogen)

- Controleer voor gebruik altijd of de netspanning gelijk is aan de spanning op het typeplaatje van het toestel.
- Gebruik geen verlengsnoer.
- Houd het snoer uit de buurt van warmte, olie en scherpe randen.
- Verander of wijzig het snoer of de stekker niet.
- Gebruik het toestel niet als het snoer of de stekker beschadigd is of niet goed werkt. Als het snoer of de stekker is beschadigd of niet goed werkt, raadpleeg dan uw dealer.
- Rol het snoer altijd helemaal uit.
- Laat het snoer niet onder het toestel door lopen. Laat het snoer niet onder een kleed door lopen. Plaats geen voorwerpen op het snoer.
- Zorg ervoor dat het snoer niet over de rand van een tafel hangt. Zorg ervoor dat niemand per ongeluk achter het snoer kan blijven haken of erover kan struikelen.
- Laat het toestel niet onbewaakt achter wanneer de stekker in het stopcontact zit.
- Trek niet aan het snoer als u de stekker uit het stopcontact wilt halen.
- Verwijder de stekker uit het stopcontact wanneer het toestel niet in gebruik is, vóór montage of demontage en vóór reiniging en onderhoud.

## Beschrijving (fig. A)

Uw crosstrainer is een stationair fitnessstoestel dat wordt gebruikt voor het nabootsen van lopen of hardlopen zonder dat de gewrichten te veel belast worden.

## Inhoud van de verpakking (fig. B & C)

- De verpakking bevat de onderdelen zoals aangegeven in fig. B.
- De verpakking bevat de bevestigingsmiddelen zoals aangegeven in fig. C. Raadpleeg het gedeelte "Beschrijving".



### LET OP

- Raadpleeg uw dealer als een onderdeel ontbreekt.

## Assemblage (fig. D)



### WAARSCHUWING

- Monteer het apparaat in de aangegeven volgorde.
- Draag en verplaats het toestel met minstens twee personen.



### VOORZICHTIG

- Zet het toestel op een stevige, vlakke ondergrond.
- Zorg voor een beschermende laag onder het toestel om schade aan het vloeroppervlak te voorkomen.
- Houd rondom de apparatuur ten minste een bewegingsruimte van 100 cm.

- Raadpleeg de illustraties voor de juiste assemblage van het toestel.



### LET OP

- Bewaar, nadat u het apparaat in elkaar hebt gezet, het gereedschap dat bij dit product is geleverd. Dit met het oog op service op een later tijdstip.

## Trainingen

De training moet licht genoeg zijn, maar wel langdurig. Aerobische training is gebaseerd op verbetering van de maximale zuurstofopname van het lichaam, die dan het uithoudingsvermogen en de conditie weer verbetert.

U moet tijdens de training wel transpireren, maar u mag niet buiten adem raken. Voor het bereiken en in stand houden van een basisconditie moet u minstens drie keer per week steeds 30 minuten trainen. Verhoog het aantal trainingssessies ter verbetering van uw conditie. Het is de moeite waard om regelmatige lichaamsbeweging met gezonde voeding te combineren. Iemand die zich goed aan een dieet houdt, zou elke dag moeten trainen te beginnen met 30 minuten of korter, en de dagelijkse trainingsduur geleidelijk opvoeren tot één uur. Begin uw training bij een lage snelheid en een lage weerstand om te voorkomen dat uw hart en bloedvaten te sterk belast worden. Naarmate uw conditie verbetert, kunnen snelheid en weerstand geleidelijk worden verhoogd. De doelmatigheid van uw training kan worden gemeten door uw hartslag.

## Instructies

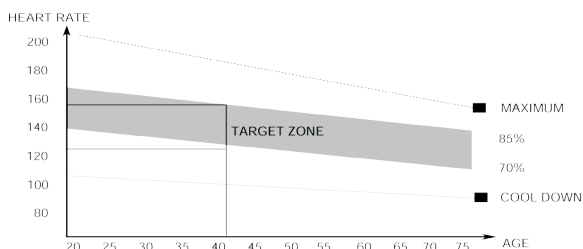
Het gebruik van dit fitness apparaat biedt meerdere voordelen: u verbetert uw fysieke conditie, u versterkt uw spieren en u valt in combinatie met een caloriearm dieet af.

### De warming-up

In deze fase wordt uw bloedsomloop gestimuleerd voor een juiste werking van de spieren. Tevens wordt het risico op kramp en spier-letsel verminderd. Wij raden u aan enkele stretch oefeningen te doen, zoals hieronder beschreven. Houd elke stretch oefening ongeveer 30 seconden vol. Forceer uw spieren niet bij het stretchen. STOP als het pijn doet

### De training fase

Dit is de fase waarin u de meeste inspanning levert. Na regelmatig gebruik worden de spieren in uw benen flexibeler. Het is in deze fase zeer belangrijk dat u een gelijkmatig tempo aanhoudt. De snelheid moet voldoende zijn om uw hartslag te laten stijgen naar de doel zone die in de onderstaande grafiek te zien is.



Deze fase moet minimaal 12 minuten duren, maar de meeste mensen beginnen met ongeveer 15-20 minuten.

### De cooling down

In deze fase ontspant u uw cardiovasculaire systeem en spieren. Dit is een herhaling van de warming-uptraining. Verlaag dus uw tempo en ga ongeveer 5 minuten door. Herhaal nu de stretch-oefeningen.

Forceer uw spieren niet tijdens het stretchen. Naarmate u fitter wordt, moet u langer en harder trainen. Het is raadzaam minstens drie keer per week te trainen en zo nodig uw oefeningen gelijkmatig over de week te verspreiden.

### Spierversteviging

Als u uw spieren wilt verstevigen met behulp van dit fitnessapparaat, stelt u de weerstand in op hoog. Zo komt er meer spanning op uw beenspieren. Mogelijk kunt u niet zo lang trainen als u zou willen. Als u ook uw conditie wilt verbeteren, moet u het trainingsprogramma aanpassen. Tijdens de warming-up en cooling-down traint u zoals normaal, maar tegen het eind van de trainingsfase verhoogt u de weerstand zodat uw benen harder moeten werken. Verlaag hierbij de snelheid zodat uw hartslag in de doelzone blijft.

### Gewichtverlies

Hierbij is het van belang hoeveel inspanning u levert. Hoe harder en langer u werkt, hoe meer calorieën u verbrandt. In feite is dit hetzelfde als wanneer u zou trainen om uw conditie te verbeteren. Het doel is alleen anders.

### Hartslagmeting (handgreepsensoren)

De hartslag wordt gemeten door sensoren in de handgrepen wanneer de gebruiker beide sensoren tegelijkertijd aanraakt. Voor de meest nauwkeurige hartslagmeting moet de huid enigszins vochtig zijn en moet u de handgreepsensoren voortdurend aanraken. Bij een te droge of te vochtige huid kan de hartslagmeting minder nauwkeurig worden.



#### LET OP

- Gebruik de handgreepsensoren niet in combinatie met een hartslagborstband.
- Als u een hartslag-limiet hebt ingesteld voor uw training, klinkt er een alarm wanneer deze wordt overschreden.

### Hartslagmeting (hartslagborstband)

De meest nauwkeurige hartslagmeting wordt bereikt met een hartslagborstband. De hartslag wordt gemeten met een hartslagontvanger in combinatie met een band die de hartslag verzendt. Voor een nauwkeurige hartslagmeting moeten de elektroden op de borstband enigszins vochtig zijn en de huid constant aanraken. Bij te droge of te natte elektroden kan de hartslagmeting minder nauwkeurig worden.



#### WAARSCHUWING

- Als u een pacemaker hebt, moet u het eerst met uw dokter bespreken voordat u een hartslagborstband gebruikt.

**VOORZICHTIG**

- Als er verscheidene hartslagmeetapparaten naast elkaar staan, zorg er dan voor dat de tussenafstand minstens 2 meter is.
- Als er slechts één hartslagontvanger en verscheidene hartslagzenders zijn, zorg dan dat er slechts één persoon met een zender in het zendbereik is.

**LET OP**

- Gebruik de hartslagborstband niet in combinatie met de handgreepsensoren.
- Draag de hartslagborstband altijd onder uw kleding, direct op uw huid. Draag de hartslagborstband niet boven uw kleding. Als u de hartslagborstband boven uw kleding draagt, zal er geen signaal komen.
- Als u een hartslaglimiet hebt ingesteld voor uw training, klinkt er een alarm wanneer deze wordt overschreden.
- De zender verzendt de hartslag naar de console tot over een afstand van 1,5 meter. Als de elektroden niet vochtig zijn, verschijnt de hartslag niet op de display.
- Sommige vezels in kleding (bijv. polyester, polyamide) produceren statische elektriciteit die een nauwkeurige hartslagmeting kan hinderen.
- Mobiele telefoons, televisies en andere elektrische apparaten creëren een elektromagnetisch veld dat een nauwkeurige hartslagmeting kan hinderen.

**Maximale hartslag (tijdens de training)**

De maximale hartslag is de hoogste hartslag die iemand veilig kan bereiken door de belasting van de training. De volgende formule wordt gebruikt voor het berekenen van de gemiddelde maximale hartslag:  $220 - \text{LEEFTIJD}$ . De maximale hartslag varieert van persoon tot persoon.

**WAARSCHUWING**

- Zorg ervoor dat u tijdens uw training niet boven uw maximale hartslag komt. Als u bij een risicogroep hoort, moet u een arts raadplegen.

**Beginner 50-60% van de maximale hartslag**

Geschikt voor beginners, mensen die willen afvallen, herstellende patiënten en personen die lange tijd niet getraind hebben. Train minstens drie keer per week, 30 minuten per keer.

**Gevorderd 60-70% van de maximale hartslag**

Geschikt voor personen die hun conditie willen verbeteren en in stand houden. Train minstens drie keer per week, 30 minuten per keer.

**Expert 70-80% van de maximale hartslag**

Geschikt voor de fitste personen die gewend zijn aan langdurige duurtraining.

## Gebruik

**Afstellen van de steunvoeten**

Het toestel is voorzien van 4 steunvoeten. Als het toestel niet stabiel is, kunnen de steunvoeten worden versteld.

- Draai de steunvoeten zo ver in of uit als nodig is om het toestel in een stabiele positie te krijgen.
- Draai de borgmoeren vast om de steunvoeten te vergrendelen.

**LET OP**

Het toestel is het meest stabiel wanneer alle steunvoeten volledig zijn ingedraaid. Nivelleer het toestel eerst door alle steunvoeten volledig in te draaien alvorens de nodige steunvoeten uit te draaien om het toestel te stabiliseren.

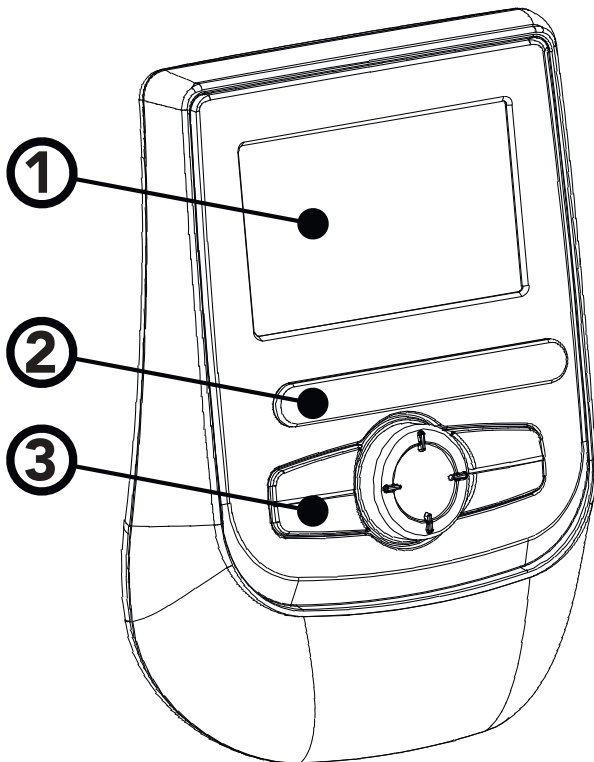
**Voeding (Fig. E)**

De trainer werkt op stroom van een extern voedingsnet. Op de illustratie wordt de plaats van de aansluiting op de trainer weergegeven.

**LET OP**

- Sluit de adapter eerst aan op de trainer voordat u deze aansluit op de wandcontactdoos.
- Verwijder altijd de stroomkabel wanneer de trainer niet in gebruik is.

## Console (fig F)



1. Display
2. Steun voor tablet/boek
3. Knoppen



### VOORZICHTIG

- Houd de console uit de buurt van direct zonlicht.
- Droog het oppervlak van de console wanneer het met zweetdruppels is bedekt.
- Leun niet op de console.
- Raak de display alleen met uw vingertop aan. Raak de display niet aan met uw nagels of een scherp voorwerp.



### LET OP

- De console gaat naar standby wanneer het toestel gedurende 4 minuten niet wordt gebruikt.

## Button functies

### BACK/ STOP

- Ga terug naar het vorige scherm.
- top de huidige training.

### QUICK START

- Training wordt gestart zonder instelde doelen. Alle training informatie telt op.

### MAIN MENU

- Monitor gaat terug naar het hoofdmenu.
- tijdens trainen: trainer gaat in "Stop de training" modus.

### USER SETTING

- Druk deze toets om naar het Gebruiker/ Instellingen scherm te gaan.
- Tijdens training heeft deze toets geen functie

### MODE/ ENTER

#### Draai functies

- Kies het trainingsprogramma in het hoofdmenu.
- Gebruiker/Instellingen scherm optie selectie.
- Kies het werkende item op het instellingenschermb.
- Verhoog of verlaag de ingestelde waarde.
- Aanpassen van de streefwaarden (hoger/lager) tijdens de training.
- Opschakelen of terugschakelen tijdens T-Ride™ of T-Road training.

#### Horizontaal

- Draai met de klok mee om naar rechtst te gaan;
- Draai tegen de klok in om naar links te gaan.

#### Verticaal

- Draai met de klok mee om naar boven te gaan.
- Draai tegen de klok in om naar beneden te gaan.

### Druk funties

- Sport modus bevestiging.
- Optie bevestigen in Gebruiker/ instellingen modus.
- Bevestigen van het werkende item op het scherm.
- Ingestelde waarde bevestigen.
- Scherm wisselen tussen slagen per minuut-Nm of slagen per minuut-W tijdens training.
- Scherm wisselen tussen slagen per minuut-m of slagen per minuut-ft tijdens T-Ride™.
- Scherm wisselen tussen Video-Profiel tijdens T-Road.
- Wisselen naar volgende oefening tijdens T-Trainer.

### Externe aansluitingen

#### USB ingang

Usb ingang kan gebruikt worden voor:

- USB oplaad functie.
- Service zaken, zoals updaten van software.



### LET OP

- USB formaat mag geen NTFS zijn.

## Bediening

### Inschakelen

- Druk op een willekeurige toets om de console in te schakelen als deze in stand-by modus is.

Na het laden van monitor applicatie (fig. F-01), wordt het hoofdmenu weergegeven. (fig. F-02).

Trainer is nu klaar om uw training te beginnen of selecteer Snel Start.

## Programma's

### Snel start

- Draai aan de draaiknop en selecteer "Snel Start".
- Druk de draaiknop in om te bevestigen en kom snel in het trainingsscherm.

(fig. F-03)

De X-as duidt de tijd in minuten tussen 0~30 aan. Dit wordt elke 15 minuten ge-update tijdens training.

- Wanneer u tijdens het trainen op de draaiknop drukt dan kunt u de Y-as switchen tussen Nm-bpm.
- Het staafdiagram toont het koppel in Nm. Draai aan de draaiknop om de Nm waarde aan te passen.
- De witte gestreepte lijn toont de huidige positie, welke naar rechts beweegt wanneer de training voortduurt. Het trainingsscherm kan tot 5 uur weergeven.

### Stop de training

Het training eind scherm komt naar voren wanneer u op de Terug/Stop of Menu toets drukt of wanneer de witte gestreepte lijn de streefwaarde bereikt. (Fig. F-04)

#### Doorgaan: (Continue)

Kies "Doorgaan" om terug te keren naar het trainingsscherm.

#### Verlaat menu: (Exit)

Kies "Verlaat menu" om af te sluiten en naar het scherm van de laatste sessie te gaan.

#### Opslaan en terug: (Save&Exit)

Kies "Opslaan en terug" en voer een bestandsnaam in onderin het scherm: gebruik de draaiknop om A~Z of 0~9 te selecteren, sla alle training data op en geef het bestand een naam voor een nieuwe training modus.

#### Training datascherm (fig. F-05)

Druk de draaiknop om terug te keren naar het hoofdmenu.

### Doelhartslag

- Draai aan de draaiknop en selecteer "Doelhartslag".
- Druk op de draaiknop om de keuze te bevestigen en ga naar het instellingenscherf (Fig. F-06)

- Draai aan de draaiknop om de hartslag streefwaarde aan te passen. (Het percentage varieert met slagen per minuut).
- Druk de draaiknop om keuze te bevestigen en ga naar instellingenscherf (2). (Fig F-07)
- Draai de draaiknop om een item te selecteren.
- Druk op de draaiknop om te bevestigen en ga verder met het instellen van het bereik rechts.
- Draai de draaiknop om de bereik instellingen te wijzigen.
- Druk op de draaiknop om te bevestigen en ga naar het trainingsscherf. (Fig. F-08)

De X-as toont, afhankelijk van de selectie, de Energie/ Tijd/ Afstand in het Set scherm:

Energie Unit:	kcal	
Tijd Unit:	min	
Afstand Unit:	km	(in Metrisch)
	mijl	(in Imperial)

- Druk tijdens de training op de draaiknop om de Y-as te wisselen tussen W-bpm.
- De staafdiagram toont de hartslag streefwaarde in slagen per minuut. Draai aan de draaiknop om de streefwaarde aan te passen.
- De witte gestreepte lijn toont de huidige positie, welke naar rechts beweegt wanneer de calorieën/ tijd/ afstand stijgt.
- De blauwe curve toont de huidige Watt waarde.
- Monitor programmering: Ondersteund de gebruiker om de streefwaarde te bereiken aan de hand van de hartslag streefwaarde tijdens training. Wanneer de huidige hartslag hoger wordt dan de ingestelde streefwaarde, zal het systeem de Watt waarde verlagen en verhogen wanneer de hartslag lager is dan de streefwaarde.
- Het bericht "Hartslag niet gedetecteerd!" wordt getoond wanneer de hartslag niet gedetecteerd wordt tijdens de training.

Om de training te stoppen zie "Stop de training".

### Manueel

- Draai aan de draaiknop en selecteer "Manueel".
- Druk op de draaiknop om de keuze te bevestigen en ga naar het instellingenscherf (Fig. F-09).
- Draai de draaiknop om een item te selecteren.
- Druk op de draaiknop om te bevestigen en ga verder met het instellen van het bereik rechts.
- Draai de draaiknop om de bereik instellingen te wijzigen.
- Druk op de draaiknop om te bevestigen en ga naar het trainingsscherf (Fig. F-03)

De X-as toont, afhankelijk van de selectie, de Energie/ Tijd/ Afstand in het Set scherm:

Energie Unit:	kcal	
Tijd Unit:	min	
Afstand Unit:	km	(in Metrisch)
	mijl	(in Imperial)

- Wanneer u tijdens het trainen op de draaiknop drukt dan kunt u de Y-as switchen tussen Nm bpm.
- Het staafdiagram toont het koppel in Nm. Draai aan de draaiknop om de Nm waarde aan te passen.
- De witte gestreepte lijn toont de huidige positie, welke naar rechts beweegt wanneer de calorieën/ tijd/afstand stijgt.

Om de training te stoppen zie "Stop de training".

## Watt gestuurd

- Draai aan de draaiknop en selecteer "Watt gestuurd".
- Druk op de draaiknop om de keuze te bevestigen en ga naar het instellingenscherf (Fig.F-10).
- Draai aan de draaiknop om de Watt streefwaarde aan te passen.
- Druk de draaiknop om keuze te bevestigen en ga naar instellingenscherf (2).) (Fig. F-11)
- Draai de draaiknop om een item te selecteren.
- Druk op de draaiknop om te bevestigen en ga verder met het instellen van het bereik rechts.
- Draai de draaiknop om de bereik instellingen te wijzigen.
- Druk op de draaiknop om te bevestigen en ga naar het trainingsscherf (Fig. F-12)

De X-as toont, afhankelijk van de selectie, de Energie/ Tijd/ Afstand in het Set scherm:

Energie Unit:	kcal	
Tijd Unit:	min	
Afstand Unit:	km	(in Metrisch)
	mijl	(in Imperial)

- Wanneer u tijdens het trainen op de draaiknop drukt dan kunt u de Y-as switchen tussen Nm-bpm.
- Het staafdiagram toont het aantal Watt. Draai aan de draaiknop om de Watt waarde aan te passen.
- De witte gestreepte lijn toont de huidige positie, welke naar rechts beweegt wanneer de calorieën/ tijd/afstand stijgt.
- Monitor programmering: Ondersteund de gebruiker om de ingestelde streefwaarde te bereiken aan de hand van de Watt streefwaarde tijdens training. Wanneer de werkelijke Watt waarde hoger ligt dan de streefwaarde wordt de Watt waarde verlaagd. Wanneer de werkelijke Watt waarde lager ligt dan streefwaarde wordt de Watt waarde verhoogt.

Om de training te stoppen zie "Stop de training".

## T-Ride

- Draai aan de draaiknop en selecteer "T-Ride".
- Druk op de draaiknop om de keuze te bevestigen en ga naar het instellingenscherf (Fig F-13).
- Draai aan de draaiknop om te kiezen tussen: Top & Down – Trail – Easy ride – Marathon – Short Loop.
- Druk de draaiknop om keuze te bevestigen en ga naar instellingenscherf (2). (Fig. F-14)
- Stel het startpunt van de training in: Draai aan de draaiknop om de linker witte gestreepte lijn te verplaatsen, druk op de draaiknop om te bevestigen.
- Stel het eindpunt van de training in: Draai aan de draaiknop om de rechter witte gestreepte lijn te verplaatsen, druk op de draaiknop om te bevestigen (Fig. F-15)

De X-as toont de afstand in km bij metrisch en mijl bij Imperial

- Druk tijdens de training op de draaiknop om de Y-as te wisselen tussen m-bpm bij metrisch, ft-bpm bij Imperial.
- De witte gestreepte lijn toont de huidige positie, welke naar rechts beweegt wanneer de training voortduurt.
- De oranje curve toont de hartslag van de gebruiker, welke varieert wanneer de hartslag op en neer gaat.
- Rechts in het scherm is de versnelling schakelaar te zien van 1~8, Draai aan de draaiknop om te wisselen.
- Het witte icoontje + 0° in de linker onder hoek toont de hellingsgraad, deze varieert aan de hand van de Profiel hellingsgraad.
- Het laatste sessie scherm toont de trainingsdata. Druk op de draaiknop om terug te gaan naar het hoofdmenu.

Om de training te stoppen zie "Stop de training".

## Preset Programma's

- Draai aan de draaiknop en selecteer "Preset Programma's".
- Druk op de draaiknop om de keuze te bevestigen en ga naar het instellingenscherf (Fig. F-16).
- Draai aan de draaiknop om te kiezen tussen: Watt gestuurd: Rolling Hills - Hill Climb - Cross Country - Stamina - Power Interval items en, Hartslag gestuurd: Fat burner 1 - Fat burner 2 - Cardio Strength - Cardio Climb - Cardio Interval.
- Druk op de draaiknop om de keuze te bevestigen en ga naar het instellingenscherf (2) (Fig. F-17)

- Draai de draaiknop om een item te selecteren.
- Druk op de draaiknop om te bevestigen en ga verder met het instellen van het bereik rechts.
- Draai de draaiknop om de bereik instellingen te wijzigen.
- Druk op de draaiknop om te bevestigen en ga naar het trainingsscherm. (Fig F-18)

**LET OP****Trainingsscherm:**

Het trainingsscherm is afhankelijk van welk trainingsprogramma gekozen wordt.

Nm Manuele modus:

Is hetzelfde als bij "Manuele modus".

Watt Constant modus:

Is hetzelfde als bij "Preset programma's Watt Modus.

Target HR Mode:

Is hetzelfde als bij "Preset programma's Hartslag gestuurde Modus".

Om de training te stoppen zie "Stop de training".

## Eigen trainingen

---

- Draai aan de draaiknop en selecteer "Eigen Trainingen".
- Druk op de draaiknop om de keuze te bevestigen en ga naar het instellingenschermb. (Fig. F-20)

**LET OP**

- Wanneer er geen opgeslagen trainingen gevonden worden zal een waarschuwings scherm (fig. F-19) worden weergegeven..
- Druk op de draaiknop om terug te gaan naar het hoofdmenu.

Instellingenschermb (1) is voor door gebruikers opgeslagen items en trainingen.

Deze worden getoond op het rechter en linker scherm.

- Draai aan de draaiknop om een item te selecteren.
- Druk op de draaiknop om te bevestigen en om het selectiescherm te openen. (Fig. F-21)
- Draai aan de draaiknop en selecteer (Fig. F-22)

**Kies "Herhaal" (Replay)**

- Druk de draaiknop om te bevestigen om naar het trainingsscherm te gaan en de vorige training te hervatten.

**Kies "Bewerk" (Edit)**

- Druk op de draaiknop om te bevestigen.
- Gaan naar en pas de bereik instellingen aan.
- Druk op de draaiknop om te bevestigen en om naar het trainingsscherm te gaan.

**Kies "Verwijder" (Delete)**

- Draai aan de draaiknop om een item te selecteren.
- Druk op de draaiknop om te bevestigen en om het selectiescherm te openen.
- Kies "Ja" om het geselecteerde item te verwijderen. Kies "Nee" om het geselecteerde item niet te verwijderen.
- Druk op de draaiknop om te bevestigen.

## Fitnessstest

---

- Draai aan de draaiknop en selecteer "Fitnessstest".
- Druk op de draaiknop om de keuze te bevestigen en ga naar het instellingenschermb.

**LET OP**

- De monitor heeft gebruikersgegevens nodig om de Fitnessstest uit te kunnen voeren. Wanneer er geen gebruikersgegevens beschikbaar zijn kan de Fitnessstest niet starten. Er zal een melding worden weergegeven. ( Fig. F-24)
- Druk op de draaiknop om terug te gaan naar het hoofdmenu.

- Draai aan de draaiknop om een item te selecteren. (Inctief / Actief / Atleet modus). (Fig. F-25)
- Druk op de draaiknop om de keuze te bevestigen en ga naar het instellingenschermb (2) (Fig F-26)
- Draai aan de draaiknop om de gebruikers hartslag streefwaarde in te stellen binnen de Vo2 Max waarde. (Het bereik ligt tussen de 28~220 hartslagen per minuut) Standaard: 85% van de Maximale hartslag en toont de gebruikers maximale hartslag (hartslagen per minuut) en gewicht (kg)
- Druk op de draaiknop om te bevestigen en naar het informatie scherm te gaan. (Fig. F-27)
- Druk op de draaiknop om te bevestigen en naar het trainingsscherm.

*Training scherm:*

*Is hetzelfde als bij "Preset programma's Hartslag gestuurde Modus".*

Het scherm toont:

**Fitnessstest mislukt!" wanneer:**

- De trainingsduur te kort is.
- Hartslag per minuut waarde is te laag.
- Hartslag streefwaarde is niet bereikt.
- Hartslag is lager dan 110 hartslagen per minuut.

**"Hartslag niet gedetecteerd" wanneer:**

- De hartslag van de gebruiker niet waargenomen wordt.
- Druk Terug/Stop of Hoofdmenu toets om het trainingsscherm te verlaten.



**"Doelhartslag bereikt!" wanneer**

- Gebruiker de streefwaarde bereikt heeft.
- Druk op de draaiknop om de test te beëindigen en om het trainingsdata scherm te openen.

Trainingscherm (Fig. F-28)

Press jog wheel to go to VO2 Max test result screen (Fig. F-29)

- Druk op de draaiknop om naar het Vo2 Max test resultaten scherm te gaan.

Om de training te stoppen zie "Stop de training".

**VO2 Max test resultaten tabel.**

Heren/ Maximale zuurstof opname (VO2MAX)							
1 = Zeer slecht/ 7 = Zeer goed							
leeftijd	1	2	3	4	5	6	7
18-19	<33	33-38	39-44	45-51	52-57	58-63	>63
20-24	<32	32-37	38-43	44-50	51-56	57-62	>62
25-29	<31	31-35	36-42	43-48	49-53	54-59	>59
30-34	<29	29-34	35-40	41-45	46-51	52-56	>56
35-39	<28	28-32	33-38	39-43	44-48	49-54	>54
40-44	<26	26-31	32-35	36-41	42-46	47-51	>51
45-49	<25	25-29	30-34	35-39	40-43	44-48	>48
50-54	<24	24-27	28-32	33-36	37-41	42-46	>46
55-59	<22	22-26	27-30	31-34	35-39	40-43	>43
60-65	<21	21-24	25-28	29-32	33-36	37-40	>40

**Dames/ Maximale zuurstof opname (VO2MAX)**

1 = Zeer slecht/ 7 = Zeer goed

Leeftijd	1	2	3	4	5	6	7
18-19	<28	28-32	33-37	38-42	43-47	48-52	>52
20-24	<27	27-31	32-36	37-41	42-46	47-51	>51
25-29	<26	26-30	31-35	36-40	41-44	45-49	>49
30-34	<25	25-29	30-33	34-37	38-42	43-46	>46
35-39	<24	24-27	28-31	32-35	36-40	41-44	>44
40-44	<22	22-25	26-29	30-33	34-37	38-41	>41
45-49	<21	21-23	24-27	28-31	32-35	36-38	>38
50-54	<19	19-22	23-25	26-29	30-32	33-36	>36
55-59	<18	18-20	21-23	24-27	28-30	31-33	>33
60-65	<16	16-18	19-21	22-24	25-27	28-30	>30

**T-Road**

- Draai aan de draaiknop en selecteer "T-road".
- Druk op de draaiknop om de keuze te bevestigen en ga naar het instellingenscherm (Fig. F-30).

Er zijn 3 selecteerbare routes beschikbaar. Namelijk: Tuscany Sand Road/ Tuscany Scenrey Road/ Tuscany Country Road.

- Draai aan de draaiknop om de trainingsroute te selecteren.
- Druk op de draaiknop om te bevestigen en naar het trainingsscherm te gaan.
- Druk op de draaiknop tijdens training om te wisselen tussen het video-(fig. F-31) en profielscherm. (Fig. F-32).

**In profiel scherm:**

- De witte stippellijn toont de huidige positie, welke naar rechts beweegt zolang de training voortduurt.
- De oranje curve toont de hartslag van de gebruiker, welke varieert wanneer de hartslag op en neer gaat.

**In video scherm:**

- Rechts in het scherm is de versnelling schakelaar te zien van 1~8, draai aan de draaiknop om te wisselen.
- Het witte icoontje + 0° in de linker onder hoek toont de hellingsgraad, deze varieert aan de hand van de Profiel hellingsgraad.

- Druk Terug/Stop, Hoofdmenu of wanneer de witte stippellijn de streefwaarde bereikt stopt de training.

Om de training te stoppen zie "Stop de training".

## T-Trainer



### LET OP

Deze functie is enkel beschikbaar voor cross trainer modellen.

- Draai aan de draaiknop en selecteer "T-Trainer"
- Druk op de draaiknop om de keuze te bevestigen en ga naar het instellingenscherf (1)

### Workout screen.

- Geeft training modus weer voor duur van 10 seconden en schakelt dan over naar oefen modus. Er zijn 6 oefen modi
- Te weten: Arm Push/ Arm Pull/ Forward Pedal/ Backward Pedal/ Forward Lean/ Squat
- Tussen elke training modus is er een vrije modus van 1 minuut. free ride interval (Fig. F-36)
- De informatie berichten: "Slow down"/ "Speed up"/ "Speed ok" adviseert de snelheid aan te passen. indien nodig..
- Door op de draaiknop de drukken gaat u direct naar de volgende oefen modus.
- de X as geeft de tijd weer in minuten met een bereik van 0~30. Deze wordt elke 15 minuten ververs.
- De Y as geeft weerstand in Nm weer.
- De staaftogram geeft de weerstand weer in NM. Draai de draaiknop opm weerstand aan te passen.
- De witte stippellijn geeft de huidige positie weer tijdens uw training, deze zal zich naar rechts verplaatsen tijdens uw training. maximale weergave is 5 uur.
- De rechter boven hoek telt de tijd van uw oefening af tot nul. Deze zal herstarten bij de volgende oefen modus.
- De linker onderhoek geeft de De informatie berichten: "Slow down"/ "Speed up"/ "Speed ok" weer.u
- Druk "Back/stop", om de training af te breken.

Training mode screen (Fig. 37)

Om de training te stoppen zie "Stop de training".

## Gebruiker/ instellingen

Druk "gebruiker/instellingen" toets om het Gebruikersinstellingen

- Gebruik de draaiknop om één van de zes mogelijke items te selecteren.
- Druk op de draaiknop om te bevestigen en om het geselecteerde item scherm te openen.

## Dagboek

Door "Dagboek" te selecteren kunt u de trainingsdata van de gebruiker bekijken.

Of u kunt de data van de laatste training bekijken of een totaal van alle trainingen. (fig. F-33)

Verlaat de trainingsdata door op Terug/Stop te drukken.

## Gebruikersinstellingen

Door "Gebruikersinstellingen" te selecteren kunt u:

- Het contrast aanpassen (Standaard 50%).
- De totaal afgelegde afstand bekijken.
- De totaal getrainde tijd bekijken.
- De standaard firmware en software versie van de console bekijken.
- De taal instelling aanpassen.
- Geluidinstellingen: systeem geluid "Ja" aan of "Nee" voor uit.

Gebruikers instellingenscherf (Fig. F-35)

### Instellingen wijzigen:

- Draai aan de draaiknop om het te wijzigen item te selecteren.
- Druk op de draaiknop om het geselecteerde item rechts in het scherm te open voor wijzigingen.
- Draai aan de draaiknop om de waarde te wijzigen van het geselecteerde item.
- Druk op de draaiknop om de wijziging te bevestigen.
- Draai aan de draaiknop om het volgende item te selecteren, of druk op Terug/stop knop om terug te keren naar het instellingenscherf.

## Aanpassen

Door "Aanpassen" te selecteren kunt u wijzigen: (Fig. F-34)

**Naam:**

- Draai aan de draaiknop en selecteer "Naam".
- Druk op de draaiknop om "Naam" wijzigen te openen.
- Draai aan de draaiknop om een letter te selecteren.
- Druk op de draaiknop om te bevestigen.
- Draai aan de draaiknop om de volgende letter te selecteren.
- Wanneer de naam correct is gewijzigd selecteert u "✓" om te bevestigen en terug te keren naar het Edit user menu.

**Eenheden:**

- Draai de draaiknop om "Eenheden" te selecteren.
- Druk op de draaiknop om "Eenheden" wijzigen te openen.
- Draai de draaiknop om te selecteren:  
Metrisch: Toont units in km/kph/Kcal.  
Imperial: Toont units in mile/mpg/kcal.
- Druk op de draaiknop om te bevestigen en terug te keren naar het Edit user menu.
- 
- Tonen:
- Draai aan de draaiknop om "Tonen" te selecteren.
- Druk op de draaiknop om "Tonen" wijzigen te openen.
- Draai aan de draaiknop om te selecteren:  
Oplopend:  
ingestelde tijd/ afstand telt op.  
Aftellend: ingestelde tijd/ afstand telt af.
- Druk op de draaiknop om te bevestigen en terug te keren naar het Aanpassen menu.

**Geslacht:**

- Draai aan de draaiknop om "Geslacht" te selecteren.
- Druk op de draaiknop om "Geslacht" wijzigen te openen.
- Draai aan de draaiknop om "Man/Vrouw" te selecteren.
- Druk op de draaiknop om te bevestigen en terug te keren naar het Aanpassen menu.

**Leeftijd:**

- Draai aan de draaiknop om "Leeftijd" te selecteren.
- Druk op de draaiknop om "Leeftijd" wijzigen te openen.
- Draai aan de draaiknop om de leeftijd te wijzigen.
- Druk op de draaiknop om te bevestigen en terug te keren naar het Aanpassen menu.

**Lengte:**

- Draai aan de draaiknop om "Lengte" te selecteren.
- Druk op de draaiknop om "Lengte" wijzigen te openen.
- Draai aan de draaiknop om de lengte te wijzigen.  
Cm wanneer Metrisch is ingesteld  
ft/ inch wanneer Imperial is ingesteld.
- Druk op de draaiknop om te bevestigen en terug te keren naar het Aanpassen menu.

**Gewicht:**

- Draai aan de draaiknop om "Gewicht" te selecteren.
- Druk op de draaiknop om "Gewicht" wijzigen te openen.
- Draai aan de draaiknop om het gewicht te wijzigen.  
kg wanneer Metrisch is ingesteld  
lbs wanneer Imperial is ingesteld.
- Druk op de draaiknop om te bevestigen en terug te keren naar het Aanpassen menu.

**Maximale HR:**

- Draai aan de draaiknop om "Maximale-HR" te selecteren.
- Druk op de draaiknop om "Maximale HR" wijzigen te openen.
- Draai aan de draaiknop om de maximale hartslag te wijzigen.  
Wanneer man geselecteerd: (220-leeftijd)  
Wanneer vrouw geselecteerd: (226-leeftijd).
- Druk op de draaiknop om te bevestigen en terug te keren naar het Aanpassen menu.

**Verwijderen**

Door "Verwijderen" te selecteren kunt u een gebruiker inclusief alle gegevens verwijderen.

- Draai aan de draaiknop en selecteer de gebruiker welke u wilt verwijderen.
- Druk op de draaiknop om de geselecteerde gebruiker te verwijderen en terug te keren naar het instellingen menu..

**LET OP**

- De gebruiker zal verwijderd worden zonder verdere mededelingen.

**Kies gebruiker**

Door "Kies gebruiker" te selecteren kunt u een ander eerder opgesteld gebruikersprofiel kiezen.

- Draai aan de draaiknop en selecteer de gebruiker welke u wilt activeren.
- Druk op de draaiknop om te bevestigen en terug te keren naar het instellingen menu.

**Aanmaken**

Door "Aanmaken" te selecteren kunt u een nieuwe gebruiker aanmaken.  
Er kunnen maximaal 8 gebruikers geïnstalleerd worden.  
Zie "Aanpassen" voor instructies hoe de gebruiker aan te maken.

## Modus BT (Bluetooth)

Draai aan het keuzewiel om de modus BT te kiezen en druk op de knop in de modus BT.

### Bluetooth-verbinding

De Bluetooth-module wordt ingeschakeld en het BT-apparaat wordt in het display van de Bluetooth-modus automatisch gekoppeld.

Druk op het keuzewiel of op de back-knop om deze pagina te sluiten. De Bluetooth-module wordt nu uitgeschakeld.

## Reiniging en onderhoud

Het toestel vereist geen speciaal onderhoud. Het toestel behoeft geen kalibratie wanneer het wordt geassembleerd, gebruikt en onderhouden overeenkomstig de instructies.



### WAARSCHUWING

- Verwijder voor reiniging of onderhoud de adapter.
  - Gebruik geen oplosmiddelen om het toestel te reinigen.
- Reinig het toestel na elk gebruik met een zachte absorberende doek.
  - Controleer regelmatig of alle schroeven en moeren goed vast zitten.
  - Smeer indien nodig de draaipunten.

## Defecten en storingen

Ondanks voortdurende kwaliteitscontrole kan het gebeuren dat het toestel door individuele onderdelen defect is of niet goed werkt. In de meeste gevallen zal het voldoende zijn om het defecte onderdeel te vervangen.

- Als het toestel niet goed werkt, neem dan onmiddellijk contact op met de dealer.
- Geef het modelnummer en serienummer van het toestel op aan de dealer. Vertel wat de aard van het probleem is, hoe het toestel wordt gebruikt en wanneer u het toestel heeft gekocht.

## Transport en opslag



### WAARSCHUWING

- Verwijder voor transport en opslag de adapter.
  - Draag en verplaats het toestel met minstens twee personen.
- Blijf aan weerskanten aan de voorkant van het toestel staan en pak de handgrepen stevig vast. Til de voorkant van het toestel op zodat de achterkant van het toestel op de wielen komt te rusten. Verplaats het toestel en zet het voorzichtig neer. Zorg voor een beschermende laag onder het toestel om schade aan het vloeroppervlak te voorkomen.
  - Verplaats het toestel voorzichtig over een ongelijke ondergrond. Breng het toestel niet met behulp van de wielen naar boven, maar draag het toestel bij de handgrepen.
  - Berg het toestel op een droge plaats op met zo weinig mogelijk temperatuurwisselingen.

## Aanvullende informatie

### Afvoeren van verpakkingsmateriaal

Overheids-richtlijnen geven aan dat we de hoeveelheid afvalmateriaal afgevoerd naar stortplaatsen moeten verminderen. Daarom vragen we u al het afvalmateriaal op verantwoordelijke wijze af te voeren naar openbare recycling-centra.

### Verrwijdering aan het eind van de levensduur.

We hopen dat u jarenlang plezier hebt van uw fitnessapparaat. Er komt echter een moment waarop het fitnessapparaat het eind van de bruikbare levensduur heeft bereikt. Onder de Europese AEEA-wetgeving bent u verantwoordelijk voor het op de juiste wijze afvoeren van uw fitnessapparaat naar een erkend openbaar inzamelpunt.

## Technische gegevens

Parameter	Meeteenheid	Waarde
Lengte	cm inch	146 57.5
Breedte	cm inch	67 26.4
Hoogte	cm inch	164 64.6
Gewicht	kg lbs	65.9 145
Max. gewicht gebruiker	kg lbs	135 300
Adapter Spanning Sterkte	V Ma.	26V-DC 2.3 A

## Garantie

### Garantie voor eigenaars van Tunturi trainingsapparatuur

#### Garantievoorwaarden

De consument ontleent wettelijke rechten aan de van toepassing zijnde nationale wetgeving aangaande de handel in consumentengoederen en de garantie zal deze rechten niet beperken.

De "Garantie voor de Eigenaar" geldt alleen dan wanneer het toestel wordt gebruikt in de door Tunturi New Fitness BV voor dat toestel toegestane gebruiksomgeving. Voor elk toestel wordt de toegestane gebruiksomgeving beschreven in de gebruiksaanwijzing van het toestel.

#### Garantievoorwaarden

De garantievoorwaarden gaan in vanaf de datum van aankoop. Deze kunnen per land verschillen. Vraag in de winkel bij u in de buurt naar de garantievoorwaarden.

#### Garantiedekking

In geen enkele omstandigheid zal Tunturi New Fitness BV of een wederverkoper van Tunturi aansprakelijk zijn voor eventuele indirecte schade geleden door de koper, zoals verlies van gebruiksnut of inkomstenderving of andere indirecte economische gevolgen.

### Garantiebeperkingen

De garantie dekt defecten van het toestel die het gevolg zijn van materiaalfouten of onjuist uitgevoerd werk, mits het toestel zijn originele samenstelling heeft. De garantie betreft alleen defecten die blijken tijdens normaal gebruik overeenkomstig de meegeleverde gebruiksaanwijzing, mits de montage-, onderhouds- en gebruiksaanwijzingen van Tunturi zijn opgevolgd. Tunturi New Fitness BV en zijn wederverkopers zijn niet aansprakelijk voor defecten tengevolge van factoren waarop zij geen invloed kunnen uitoefenen. De garantie betreft alleen de eerste eigenaar van het toestel en is alleen geldig in landen waar een geautoriseerde importeur van Tunturi New Fitness BV is gevestigd. De garantie betreft geen trainingstoestellen of onderdelen die zijn gewijzigd zonder toestemming van Tunturi New Fitness BV. De garantie dekt geen defecten tengevolge van normale slijtage, onjuist gebruik, gebruik in omstandigheden waarvoor het toestel niet is bedoeld, corrosie of schade ontstaan tijdens laden of transport. De garantie geldt niet voor geluiden die ontstaan door het gebruik, als ze het gebruik van het apparaat niet wezenlijk belemmeren en niet veroorzaakt zijn door een defect aan het apparaat.

De garantie omvat ook geen onderhoudsmaatregelen, zoals reiniging, smering of normale inspectie van onderdelen, noch dergelijke montagewerkzaamheden die de klant zelf kan uitvoeren en die geen speciale demontage en montage van het toestel vereisen. Dit soort maatregelen zijn bijv. vervanging van monitoren, pedalen of andere vergelijkbare eenvoudige onderdelen. Garantieherstel dat is uitgevoerd door een ander dan de geautoriseerde Tunturi-vertegenwoordiger wordt niet vergoed. De garantie geldt alleen voor normaal, voorgeschreven gebruik van het product zoals beschreven in de handleiding.

## Verklaring van de fabrikant

Tunturi New Fitness BV verklaart dat het product voldoet aan de volgende normen en richtlijnen: EN 957 (HA), 89/336/EEG. Het product is derhalve voorzien van het CE-label.

01-2017

Tunturi New Fitness BV  
Purmerweg 1  
1311 XE Almere  
The Netherlands

## Disclaimer

---

© 2017 Tunturi New Fitness BV  
Alle rechten voorbehouden.

Het product en de handleiding zijn aan veranderingen onderhevig. Specificaties kunnen zonder verdere kennisgeving worden veranderd.

## Índice

<b>Bicicleta elíptica .....</b>	<b>71</b>
<b>Advertencias de seguridad.....</b>	<b>71</b>
Seguridad eléctrica	72
Descripción (fig. A)	72
Package contents (fig. B & C)	72
Montaje (fig. D)	72
<b>Sesiones de ejercicio.....</b>	<b>72</b>
Ejercicio Instrucciones	73
Del ritmo cardíaco	73
<b>Uso.....</b>	<b>74</b>
Fuente de alimentación (Fig. E)	74
<b>Consola (fig F) .....</b>	<b>75</b>
Explicación de los botones	75
Funcionamiento	76
<b>Programas.....</b>	<b>76</b>
Comenzar	76
Finalizar su ejercicio	76
Objetivo Ritmo Cardíaco	76
Manual...	77
Control potencia	77
T-Ride.....	77
Programas prefijados	78
Entrenamientos	78
Test Fitness	78
T-Road ...	80
T-Trainer.	80
<b>Parametros usuario.....</b>	<b>80</b>
Datos usuario	81
Editar usuario	81
Editar usuario	81
Borrar usuario	82
Cambiar usuario	82
Crear usuario	82
Modo BT (Bluetooth)	82
<b>Limpieza y mantenimiento.....</b>	<b>82</b>
Defectos y fallos	82
<b>Transporte y almacenamiento.....</b>	<b>82</b>
Información adicional	83
<b>Datos técnicos .....</b>	<b>83</b>
<b>Garantía .....</b>	<b>83</b>
<b>Declaración del fabricante.....</b>	<b>84</b>
<b>Descargo de responsabilidad .....</b>	<b>84</b>

### Español

Este manual español es una traducción del texto inglés. No se pueden derivar derechos de esta traducción. El texto original en inglés prevalecerá.

## Bicicleta elíptica

¡Bienvenido al mundo de Tunturi Fitness!  
Le agradecemos la compra de esta máquina Tunturi. Tunturi ofrece una amplia gama de máquinas de fitness profesionales como bicicletas elípticas, cintas de correr y bicicletas de ejercicio. La máquina Tunturi es adecuada para toda la familia, independientemente del nivel de forma física. Si desea información adicional, visite nuestro sitio web [www.tunturi.com](http://www.tunturi.com)

## Advertencias de seguridad



### ADVERTENCIA

*Lea las advertencias de seguridad y las instrucciones. De no seguirse las advertencias de seguridad y las instrucciones pueden producirse lesiones personales o daños en la máquina. Conserve las advertencias de seguridad y las instrucciones para su consulta posterior.*



### ADVERTENCIA

*Los sistemas de motorización de frecuencia cardíaca pueden ser imprecisos. Un exceso de ejercicio puede provocar lesiones graves o incluso la muerte. Si se siente mareado, deje de hacer ejercicio inmediatamente.*

- La máquina es adecuada únicamente para uso doméstico y profesional (p. ej. hospitales, cuarteles de bomberos, hoteles, colegios, etc.). El uso máximo está limitado a 6 horas al día. La máquina no es adecuada para un uso comercial completo (p. ej. gimnasios de gran tamaño).
- El uso de esta máquina por niños o por personas con una discapacidad física, sensorial o motora, o falta de experiencia y conocimientos, puede dar lugar a situaciones de riesgo. Las personas responsables de su seguridad deben dar instrucciones explícitas o supervisar el uso de la máquina.
- Antes de empezar a hacer ejercicio, consulte con un médico para comprobar su estado de salud.
- Si experimenta náuseas, mareos u otros síntomas anormales, deje de hacer ejercicio inmediatamente y consulte con un médico.
- Para evitar dolor y tensión muscular, realice un calentamiento antes de empezar a hacer ejercicio y termine haciendo relajación. Recuerde hacer estiramientos al final de la sesión de ejercicio.
- La máquina es adecuada únicamente para uso en interior. La máquina no es adecuada para un uso en exterior.
- Utilice la máquina únicamente en lugares con una ventilación adecuada. No utilice la máquina en lugares donde haya corriente para no resfriarse.

- Utilice la máquina únicamente en lugares con una temperatura ambiente entre 10 °C y 35 °C. Almacene la máquina únicamente en lugares con una temperatura ambiente entre 5 °C y 45 °C.
- No utilice ni almacene la máquina en espacios húmedos. La humedad del aire no debe ser superior al 80%.
- Utilice la máquina sólo para su uso previsto. No la utilice para otros fines que no sean los descritos en el manual.
- La máquina no debe utilizarse si alguna de las piezas ha sufrido daños o tiene algún defecto. Contacte con su proveedor si alguna de las piezas ha sufrido daños o tiene algún defecto.
- Mantenga las manos, los pies y demás partes del cuerpo alejadas de las piezas móviles.
- Mantenga el pelo alejado de las piezas móviles.
- Lleve ropa y calzado adecuado.
- Mantenga la ropa, las joyas y otros objetos alejados de las piezas móviles.
- Asegúrese de que sólo una persona utilice la máquina cada vez. La máquina no debe ser utilizada por personas cuyo peso supere los 135 kg (300 lbs).
- No abra la máquina sin consultar con su proveedor.

## Seguridad eléctrica

(Aplicable sólo para máquinas con limitación eléctrica)

- Antes del uso, compruebe siempre que la tensión de red sea la misma que la tensión indicada en la placa de características de la máquina.
- No utilice un cable alargador.
- Mantenga el cable de red alejado del calor, de aceite y de bordes afilados.
- No altere ni modifique el cable de red o el enchufe de red.
- No utilice la máquina si el cable de red o el enchufe de red ha sufrido daños o tiene algún defecto. Si el cable de red o el enchufe de red ha sufrido daños o tiene algún defecto, contacte con su proveedor.
- Desenrolle siempre el cable de red en su totalidad.
- No pase el cable de red debajo de la máquina. No pase el cable de red debajo de una alfombra. No coloque ningún objeto sobre el cable de red.
- Asegúrese de que el cable de red no cuelgue sobre el borde de una mesa. Asegúrese de que el cable de red no quede atrapado y que no sea posible tropezarse con él.
- No deje la máquina desatendida cuando el enchufe de red esté insertado en la toma de pared.
- No tire del cable de red para sacar el enchufe de la toma de pared.
- Retire el enchufe de red de la toma de pared cuando la máquina no se esté utilizando, antes del montaje o el desmontaje o antes de la limpieza y el mantenimiento.

## Descripción (fig. A)

La bicicleta elíptica es una máquina estacionaria de fitness que se utiliza para simular la acción de caminar o correr sin generar una presión excesiva en las articulaciones.

## Package contents (fig. B & C)

- El paquete contiene los elementos que se muestran en la fig. B.
- El paquete contiene los elementos de fijación que se muestran en la fig. C. consulte la sección "Descripción".



### NOTA

- Si falta una pieza, contacte con su proveedor.

## Montaje (fig. D)



### ADVERTENCIA

- Monte la máquina en el orden indicado.
- Al menos dos personas deben transportar y mover la máquina.



### PRECAUCIÓN

- Coloque la máquina sobre una superficie firme y nivelada.
- Coloque la máquina sobre una base protectora para evitar daños en la superficie del suelo.
- Deje unos 100 cm de espacio alrededor de la máquina.

- Consulte las ilustraciones para el correcto montaje de la máquina.



### NOTA

- Guarde las herramientas suministradas con este producto una vez que haya completado el montaje del producto, para futuros fines de servicio.

## Sesiones de ejercicio

La sesión de ejercicio debe ser ligera, pero de larga duración. El ejercicio aeróbico se basa en mejorar el consumo de oxígeno máximo del cuerpo, lo que a su vez mejora la resistencia y la forma física. Debe transpirar, pero no debe quedarse sin aliento durante la sesión de ejercicio.



Para lograr y mantener un nivel de forma física básico, debe realizar ejercicio al menos tres veces a la semana, 30 minutos cada vez. Aumente el número de sesiones de ejercicio para mejorar su nivel de forma física. Vale la pena combinar el ejercicio regular con una dieta sana. Una persona que se encuentre a dieta debe realizar ejercicio a diario, al principio 30 minutos o menos cada vez, aumentando gradualmente el tiempo de ejercicio diario hasta una hora. Empiece la sesión de ejercicio a velocidad baja y resistencia baja para evitar que el sistema cardiovascular se vea sometido a una tensión excesiva. A medida que mejore el nivel de forma física, pueden aumentarse gradualmente la velocidad y la resistencia. La eficiencia de su ejercicio puede medirse supervisando su frecuencia cardíaca y sus pulsaciones.

## Ejercicio Instrucciones

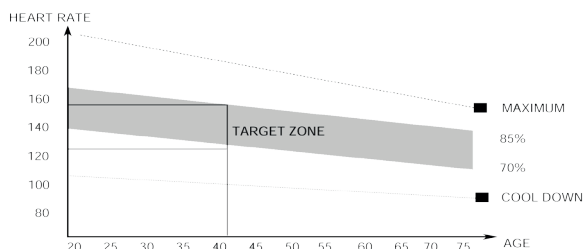
El uso de su entrenador le aportará muchas ventajas, mejorará su tono físico, tonificará los músculos y, combinado con una dieta con un consumo controlado de calorías, le ayudará a perder peso.

### Fase de calentamiento

Esta fase mejora la circulación y favorece el buen funcionamiento de los músculos. Asimismo, reduce el riesgo de calambres y de lesiones musculares. Es conveniente realizar una serie de ejercicios de estiramiento, como se muestra más abajo. Al estirar se debe mantener la posición durante unos 30 segundos; no fuerce los músculos ni realice movimientos bruscos para estirarlos, si duele, PARE inmediatamente.

### Fase de ejercicio

Esta es la fase de esfuerzo. Tras un uso regular, los músculos de las piernas irán ganando flexibilidad. Es importante mantener un ritmo estable durante toda esta fase. El ejercicio debe ser lo suficientemente fuerte como para incrementar el ritmo cardíaco hasta el objetivo que se muestra en el siguiente cuadro.



Esta fase debe tener una duración mínima de 12 minutos, aunque la mayoría de las personas empiezan a los 15-20 minutos.

### Fase de enfriamiento

La finalidad de esta fase es permitir que se relaje el sistema cardiovascular y los músculos. Es una repetición del ejercicio de calentamiento, por lo que debe ir reduciendo el ritmo de manera constante durante unos 5 minutos. En este momento debe repetir también los

ejercicios de estiramiento, evitando de nuevo forzar los músculos o hacer movimientos bruscos. A medida que vaya mejorando su forma física, es posible que el entrenamiento tenga que ser más largo e intenso. Es aconsejable entrenarse al menos tres veces a la semana, espaciando de manera uniforme, en la medida de lo posible, los entrenamientos durante la semana.

### Tonificación muscular

Si quiere tonificar los músculos mientras trabaja con el aparato, deberá ajustar la resistencia en un nivel bastante alto. Así aumentará la tensión sobre los músculos de las piernas, con lo que es posible que no pueda entrenarse durante todo el tiempo que le gustaría. Si quiere mejorar su condición física, tendrá que modificar también el programa de entrenamiento. El entrenamiento durante las fases de calentamiento y enfriamiento será igual, pero debe aumentar la resistencia hacia el final de la fase de ejercicio para incrementar el esfuerzo del tren inferior. Tendrá que reducir la velocidad para mantener el ritmo cardíaco en la zona objetivo.

### Pérdida de peso

El factor determinante en este sentido es el esfuerzo realizado. Cuanto más intenso y prolongado sea el ejercicio físico, más calorías quemará. En realidad, es lo mismo que si se entrenara para mejorar la condición física, lo que cambia es el objetivo.

## Del ritmo cardíaco

### Medición de las pulsaciones (sensor de pulsaciones de mano)

Las pulsaciones se miden con unos sensores en los manillares cuando el usuario toca ambos sensores al mismo tiempo.

ligeramente húmeda y tocar constantemente los sensores de pulsaciones de mano. Si la piel está demasiado seca o demasiado húmeda, la medición de las pulsaciones puede resultar menos precisa.



#### NOTA

- No utilice los sensores de pulsaciones de mano en combinación con una correa en el pecho para la frecuencia cardíaca.
- Si define un límite de frecuencia cardíaca para su sesión de ejercicio, cada vez que éste se supere sonará una alarma.

### Medición de la frecuencia cardíaca (correa en el pecho para la frecuencia cardíaca)

La medición más precisa de la frecuencia cardíaca se logra con una correa en el pecho para la frecuencia cardíaca.

La frecuencia cardíaca se mide con un receptor de frecuencia cardíaca en combinación con una correa transmisora de la frecuencia cardíaca. Para una medición precisa de la frecuencia cardíaca es necesario que los electrodos de la correa transmisora estén ligeramente húmedos y que toquen constantemente la piel. Si los electrodos están demasiado secos o demasiado húmedos, la medición de la frecuencia cardíaca puede resultar menos precisa.



### ADVERTENCIA

- Si usted tiene un marcapasos, consulte con un médico antes de utilizar una correa en el pecho para la frecuencia cardíaca.



### PRECAUCIÓN

- Si hay varios dispositivos de medición de frecuencia cardíaca en proximidad, asegúrese de que la distancia entre ellos sea de al menos 2 metros.
- Si sólo hay un receptor de frecuencia cardíaca y varios transmisores, asegúrese de que sólo una persona con un transmisor se encuentre en la zona de transmisión.



### NOTA

- No utilice una correa en el pecho para la frecuencia cardíaca en combinación con sensores de pulsaciones de mano.
- Lleve siempre la correa en el pecho para la frecuencia cardíaca debajo de la ropa, en contacto directo con la piel. No lleve la correa en el pecho para la frecuencia cardíaca por encima de la ropa. Si lleva la correa en el pecho para la frecuencia cardíaca por encima de la ropa, no habrá señal.
- Si define un límite de frecuencia cardíaca para su sesión de ejercicio, cada vez que éste se supere sonará una alarma.
- El transmisor transmite la frecuencia cardíaca a la consola hasta una distancia de 1,5 metro. Si los electrodos no están húmedos, la frecuencia cardíaca no aparece en la pantalla.
- Algunas fibras de la ropa (p. ej. poliéster, poliamida) generan electricidad estática, la cual puede impedir la medición precisa de la frecuencia cardíaca.
- Los teléfonos móviles, las televisiones y otros aparatos eléctricos generan un campo electromagnético que puede impedir la medición precisa de la frecuencia cardíaca.

### Frecuencia cardíaca máxima (durante el entrenamiento)

alcanzar una persona de forma segura por la tensión del ejercicio. Se utiliza la siguiente fórmula para calcular la frecuencia cardíaca máxima media:  $220 - \text{EDAD}$ . La frecuencia cardíaca máxima varía según la persona.



### ADVERTENCIA

- Asegúrese de no superar la frecuencia cardíaca máxima durante la sesión de ejercicio. Si usted se encuentra en un grupo de riesgo, consulte con un médico.

### Principiante 50-60% de frecuencia cardíaca máxima

Adecuada para principiantes, personas que cuidan la línea, convalecientes y personas que no han hecho ejercicio en mucho tiempo. Haga ejercicio al menos tres veces a la semana, 30 minutos cada vez.

### Avanzado 60-70% de frecuencia cardíaca máxima

Adecuada para personas que desean mejorar y mantener la forma física. Haga ejercicio al menos tres veces a la semana, 30 minutos cada vez.

### Experto 70-80% de frecuencia cardíaca máxima

Adecuado para personas con muy buena forma física que están acostumbradas a sesiones de ejercicio de gran resistencia.

## Uso

### Ajuste de los pies de soporte

La máquina está equipada con 4 pies de soporte. Si la máquina no está estable, es posible ajustar los pies de soporte.

- Gire los pies de soporte tanto como sea necesario para estabilizar la máquina.
- Apriete las contratueras para bloquear los pies de soporte.



### NOTA

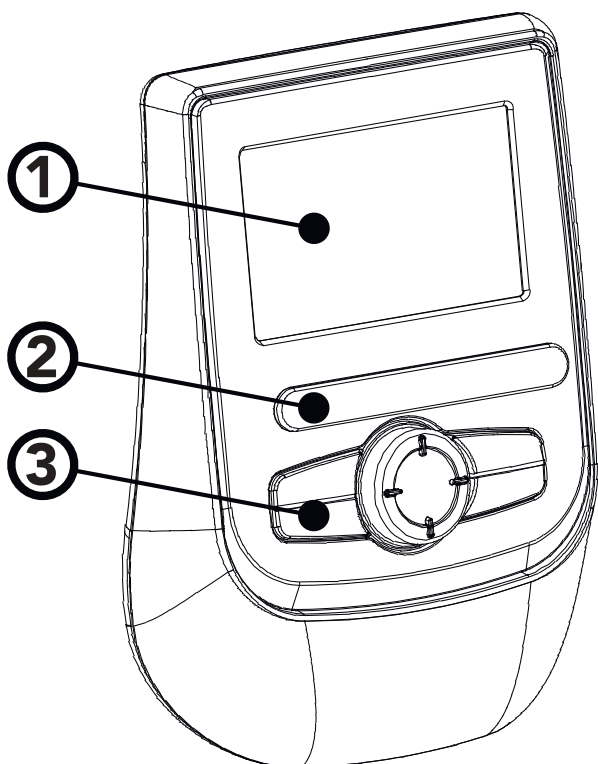
La máquina es más estable cuando todos los pies de soporte están totalmente girados hacia dentro. Por tanto, empiece a nivelar la máquina girando totalmente hacia dentro todos los pies de soporte, antes de girar hacia fuera el pie de soporte necesario para estabilizar la máquina.

### Fuente de alimentación (Fig. E)

El entrenador se alimenta desde una fuente de alimentación externa. Consulte la ilustración para ubicar la entrada de alimentación del entrenador.

**NOTA**

- Conecte la fuente de alimentación al entrenador antes de enchufarlo a una toma de corriente de la pared.
- Quite siempre el cable de alimentación cuando no utilice la máquina.

**Consola (fig F)**

1. Pantalla
2. Soporte de tableta/libro
3. Botones

**PRECAUCIÓN**

- Mantenga la consola alejada de la luz solar directa.
- Seque la superficie de la consola cuando esté cubierta de gotas de sudor.
- No se apoye en la consola.
- Toque la pantalla únicamente con la punta del dedo. Asegúrese de no tocar la pantalla con las uñas ni objetos afilados.

**NOTA**

- La consola pasa al modo de espera activa cuando la máquina no se usa durante 4 minutos.

**Explicación de los botones****BACK/ STOP**

- Volver hacia la pantalla previa.
- Parar el entrenamiento activado.

**QUICK START**

- Iniciar el entrenamiento sin ajustes presentes. Se contabilizará toda la información del ejercicio

**MAIN MENU**

- Se volverá al menú principal.
- Durante el entrenamiento, ponga la consola en el modo "Finalizar su ejercicio".

**USER SETTING**

- Presionar este botón para introducir el Usuario/ Fijar el modo pantalla.
- Este botón esta fuera de servicio durante el ejercicio.

**MODE/ ENTER**  
**Activar funciones**

- Elegir el modo de entrenamiento en el menú principal.
- Usuario/ajuste de selección de opción de modo.
- Elegir el ejercicio en la pantalla de ajuste.
- Incrementar o disminuir los valores de ajuste.
- Ajustar el valor de objetivo (alto/bajo) durante el ejercicio.
- Cambiar hacia arriba o abajo durante el ejercicio con T-Ride™ o T-Road.

**Horizontal**

Girar en el sentido de la agujas del reloj para elegir opciones a la derecha; en sentido contrario para opciones de la izquierda.

**Vertical**

En el sentido de la agujas del reloj para desplazarse hacia arriba; en sentido contrario para desplazarse hacia abajo.

**Presionar funciones**

- Confirmación modo Sport.
- Opción de confirmación en el modo usuario/ajuste.
- Confirmación del punto de trabajo en la pantalla de ajuste.
- Confirmación de los valores de ajuste.
- Cambio de pantalla entre ppm(pulsaciones por minuto)-durante el ejercicio.
- Cambio de pantalla entre ppm-m o ppm-ft(pies) durante T-Ride™.
- Cambio de pantalla entre Video-Perfil durante T-Road.
- Cambio al siguiente modo tutorial durante T-Trainer™.

## Conexiones externas

### Puerto USB

El puerto USB puede utilizarse para:

- Punto de carga USB.
- Propuestas de servicio como actualizar software.



#### NOTA

- El formato no debe ser NTFS.

## Funcionamiento

### Encendido

- Pulse cualquier tecla para encender la consola cuando se está en el modo dormir

Después de cargar la aplicación (fig. F-01) el monitor mostrará la pantalla del menú principal. (fig. F-02).

El entrenador comienza su tarea con el ejercicio programado o sólo seleccionar comienzo rápido y empezar.

## Programas

### Comenzar

- Girar la ruleta y seleccionar "comenzar". (comienzo rapido)
- Presionar la ruleta para confirmar y entrar en la pantalla de entrenamiento de forma rápida
- 

(fig. F-03)

El eje X señala el tiempo en minutos entre 0~30.

Se actualiza cada 15 minutos en la pantalla de entrenamiento.

- Durante el ejercicio presionar el botón de ruleta para cambiar el eje Y entre Nm-bmp.
- El gráfico de barras muestra el valor Nm. Girar la ruleta para ajustar el valor Nm.
- La línea de puntos blancos muestra la posición actual; la cual se
- mueve hacia la derecha según se incrementa el tiempo de ejercicio.

## Finalizar su ejercicio

La pantalla de finalización de ejercicio aparece cuando el botón Atrás/ parar o de menú principal es presionado o cuando la línea de puntos blancos alcanza el valor de objetivo (Fig. F-04)

### Continue:

Elegir "Continue" para volver a la pantalla de entrenamiento.

### Exit:

Elegir "Exit" para salir de la última pantalla de sesión.

### Save&Exit:

Elegir "Save&Exit" y entrar en el archivo del nombre en la parte inferior de la pantalla: usar la ruleta para seleccionar A~Z o 0~9, guardar todos los datos del ejercicio y nombrar el fichero para un nuevo modo de entrenamiento

### Pantalla de entrenamiento (fig. F-05)

Muestra los datos del ejercicio en la última pantalla.. Presionar el botón de ruleta para volver al menú principal

## Objetivo Ritmo Cardíaco

- Girar la ruleta y seleccionar "Objetivo RC".
- Presionar la ruleta para confirmar y entrar en la pantalla de ajustes (Fig. F-06)
- Girar la ruleta para ajustar los valores del ritmo cardíaco.
- (El porcentaje varia con los valores ppm)
- Presionar la ruleta para confirmar y entrar en la pantalla de ajustes (2) (Fig F-07)
- Girar la ruleta para seleccionar.
- Presionar el botón de ruleta para confirmación y continuar con el ajuste fijado en la derecha.
- Girar la ruleta para cambiar el rango de ajuste.
- Presionar el botón de ruleta para confirmar y entrar en la pantalla de entrenamiento. (Fig. F-08)

En el eje X las unidades son mostradas de acuerdo con la selección de Energía/ Tiempo/Distancia en la pantalla de ajustes:

Unidad energía: Kcal

Unidad tiempo: min

Unidad distancia: km ( en sistema métrico. )  
milla ( en sistema imperial )

- Durante el entrenamiento, presionar el botón de ruleta para cambiar al eje Y entre W-ppm
- El gráfico de barras muestra el valor del objetivo de ritmo cardíaco ppm. Girar el botón de ruleta para ajustar los valores del objetivo del ritmo cardíaco.

- La línea de puntos blancos muestra la posición actual; la cual se
- mueve hacia la derecha cuando se incrementan calorías /tiempo/ distancia.
- La curva azul muestra el valor actual de vatios (esfuerzo).
- Programación del monitor; ayuda al usuario a alcanzar el objetivo de acuerdo con sus objetivos de ritmo cardíaco durante el ejercicio.
- Cuando el ritmo cardíaco es mayor que el objetivo del ritmo cardíaco, el sistema disminuiría el valor vatios; mientras lo incrementaría cuando el ritmo cardíaco actual está por debajo del objetivo
- Un mensaje de "No Ritmo Cardíaco" es mostrado si el ritmo cardíaco del. suario no es detectado durante el entrenamiento.

Para finalizar su entrenamiento ver:  
"Finalizar su entrenamiento"

## Manual

- Girar la ruleta y seleccionar "Manual"
- Presionar la ruleta para confirmar y entrar en la pantalla de ajustes (Fig. F-09).
- Girar la ruleta para seleccionar.
- Presionar el botón de ruleta para confirmar los valores de rango en la derecha.
- Girar la ruleta para cambiar los valores.
- Presionar el botón de ruleta para confirmar y entrar en la pantalla de entrenamiento (Fig. F-03)

El eje X señala el tiempo en minutos entre 0~30.  
Se actualiza cada 15 minutos en la pantalla de entrenamiento.

- Durante el entrenamiento, presionar el botón de ruleta para cambiar al eje Y entre W-ppm.
- El gráfico de barras muestra el valor del objetivo de ritmo cardíaco ppm. Girar el botón de ruleta para ajustar los valores del objetivo del ritmo cardíaco.
- La línea de puntos blancos muestra la posición actual; la cual se
- mueve hacia la derecha cuando se incrementa caloría/ tiempo/ distancia.

Para finalizar su entrenamiento ver:  
"Finalizar su entrenamiento"

## Control potencia

- Girar la ruleta y seleccionar "Control potencia.
- Presionar la ruleta para confirmar y entrar en la pantalla de ajustes (Fig.F-10).
- Girar la ruleta para ajustar el objetivo de esfuerzo.
- Presionar el botón de ruleta para confirmar y entrar en la pantalla de ajustes (2) (Fig. F-11)

- Girar la ruleta para seleccionar.
- Presionar el botón de ruleta para confirmación y continuar con el rango establecido en la derecha.
- Girar la ruleta para cambiar los valores de rango.
- Presionar el botón de ruleta para confirmar y entrar en la pantalla de entrenamiento (Fig. F-12)

En el eje X las unidades son mostradas de acuerdo con la selección de Energía/ Tiempo/Distancia en la pantalla de ajustes:

Unidad energía: Kcal

Unidad tiempo: min

Unidad distancia: km ( en sistema métrico. )  
milla ( en sistema imperial )

- Durante el ejercicio presionar el botón de ruleta para ajustar el eje Y entre Nm-bmp.
- El gráfico de barras muestra el valor vatio (esfuerzo). Girar la ruleta para ajustar el valor.
- La línea de puntos blancos muestra la posición actual; la cual se
- mueve hacia la derecha según se incrementa calorías/tiempo/distancia.
- Programación del monitor; ayuda al usuario a alcanzar el objetivo de acuerdo con sus límites de ritmo cardíaco durante el ejercicio.
- Cuando el ritmo cardíaco es mayor que el objetivo marcado, el sistema disminuiría el valor vatios; mientras lo incrementaría cuando el ritmo cardíaco actual está por debajo del objetivo.

Para finalizar su entrenamiento ver:  
"Finalizar su entrenamiento"

## T-Ride

- Girar la ruleta y seleccionar "T-ride".
- Presionar la ruleta para confirmar y entrar la pantalla de ajustes (1) (Fig F-13).
- Girar la ruleta para seleccionar entre Subir y bajar, Ruta, Circuito corto, Maratón, Paseo.
- Presionar la ruleta para confirmar y acceder a la pantalla de ajustes (2). (Fig. F-14)
- Establecer el punto de partida del entrenamiento girando el botón de ruleta para ajustar el punto blanco de la izquierda
- Establecer el punto final del entrenamiento: rotar el botón giratorio para ajustar la línea de puntos blancos, presionar el botón de ruleta para confirmación, entonces pasará a la pantalla de entrenamiento (Fig. F-15)

El eje X muestra como unidad de distancia kms en sistema métrico y millas en el Imperial.

- Durante el ejercicio; presionar el botón de ruleta para cambiar el eje-Y entre m-ppm en métrico, ft-ppm en imperial.
- La línea de puntos blancos muestra la posición actual; la cual se

- mueve hacia la derecha según se incrementa la distancia.
- La curva naranja muestra el ritmo cardíaco actual del usuario, la cual varía según la frecuencia cardíaca aumenta o disminuye.
- A la derecha de la pantalla está el cambio de marcha de 1~8. Girar el botón de ruleta para activar.
- El icono blanco + 0° en la parte inferior izquierda de la pantalla muestra el nivel de inclinación y este varía con el cambio del nivel de perfil de inclinación.
- La pantalla de la última sesión muestra los datos del ejercicio. Presionar el botón de ruleta para volver al menú principal

Para finalizar su entrenamiento ver:  
"Finalizar su entrenamiento"

## Programas prefijados

- Girar la ruleta y seleccionar "Preset programs"
- Presionar la ruleta para confirmar y entrar en la pantalla de ajustes (Fig. F-16).
- Girar el botón para seleccionar entre: Control de esfuerzo: Colinas, Escalada, Campo a través, Resistencia, Intervalo Energía y Control ritmo cardíaco: Quemar grasas 1, Quemar grasas 2, Fortalecer cárdio, Subir cárdio, Intervalo cárdio.
- Presionar el botón giratorio para confirmar y acceder a la pantalla de ajustes (2) (Fig. F-17)
- Girar la ruleta para seleccionar.
- Presionar el botón ruleta para confirmación y continuar el rango ajustado a la derecha.
- Girar la ruleta para cambiar los rangos fijados.
- Presionar el botón de ruleta para confirmar y entrar en la pantalla de entrenamiento. (Fig F-18)



### NOTE

#### Pantalla de entrenamiento:

La pantalla de entrenamiento depende del modo de entrenamiento en cual se esté.

Nm modo manual:

Es el mismo que el modo Manual.

Modo Esfuerzo Constante:

Es el mismo que el programa prefijado Modo Esfuerzo.

Modo Objetivo Ritmo Cardíaco:

Es el mismo que el programa prefijado Modo Ritmo Cardíaco

Para finalizar su entrenamiento ver:  
"Finalizar su entrenamiento"

## Entrenamientos

- Girar la ruleta y seleccionar "Programas".
- Presionar la ruleta para confirmar y entrar en la pantalla de ajustes. (Fig. F-20)



### NOTE

- Cuando no se encuentren entrenamientos grabados aparecerá la pantalla (fig. F-19) .
- Presionar la ruleta para volver a menú principal

La pantalla de ajustes es para guardar la información del usuario y los entrenamientos grabados. Se muestran en la derecha e izquierda de la pantalla.

- Girar la ruleta para seleccionar.
- Presionar el botón de ruleta para confirmar y abrir la ventana seleccionada (Fig. F-21)
- Girar la ruleta y seleccionar (Fig. F-22)

### Repetir "repeat"

- Presionar el botón de ruleta para confirmar.
- Entrar en la pantalla de ejercicio y continuar con el entrenamiento previo.

### Editar "Edit"

- Presionar la ruleta para confirmar.
- Acceder y editar el rango de parámetro.
- Presionar el botón de ruleta para confirmar y acceder a la pantalla de entrenamiento.

### Borrar "Delete"

- Girar la ruleta y seleccionar.
- Presionar el botón de ruleta para confirmar y abrir la ventana seleccionada.
- Elegir Sí para borrar la información seleccionada, elegir No para no borrar la información seleccionada.

## Test Fitness

- Girar la ruleta y seleccionar "Test Fitness"
- Presionar la ruleta para confirmar y acceder a la pantalla de Ajustes (1).



### NOTE

- El monitor necesita los datos de usuario para proceder con el test de Fitness, si no hay datos de usuario disponibles el test de Fitness no puede comenzar. ( Fig. F-24)
- Presionar la ruleta para volver al menú principal.
- Girar la ruleta para seleccionar. (modo Inactivo/ Activo/Atlético)(Fig. F-25)
- Presionar el botón de ruleta para confirmar y abrir la pantalla de ajuste (Fig F-26)

- Girar la ruleta y seleccionar el objetivo de ritmo cardíaco (El rango está entre 68~220 ppm) por defecto; 85% del ritmo cardíaco máximo y muestra el ritmo cardíaco máximo (ppm) y peso (kg).
- Presionar el botón de ruleta para confirmar y abrir la ventana de información. (Fig. F-27)
- Presionar el botón de ruleta para confirmar y abrir la pantalla de entrenamiento.

#### *Pantalla de entrenamiento:*

Es el mismo que el programa prefijado Modo Ritmo Cardíaco.

La pantalla muestra.

#### **"Test Failed"! si:**

- El tiempo de ejercicio es demasiado corto.
- El valor de RPM es demasiado corto.
- El objetivo de ritmo cardíaco no es alcanzado.
- El ritmo cardíaco es menos de 110 ppm.

#### **"No Heart Rate detected" si:**

- El ritmo cardíaco del usuario no es detectado.
- Presionar Back/stop o el botón del Menú principal para salir de la pantalla de ejercicio.

#### **"Target HR reached! Stop or Continue"**

- El usuario ha alcanzado el objetivo.
- Presionar el botón de ruleta para finalizar el test y mostrar los datos de entrenamiento en pantalla.

Datos de entrenamiento en pantalla (Fig. F-28)

Presionar el botón de ruleta para volver a la pantalla de los resultados del test VO2 Max. (Fig. F-29)

- Presionar el botón de ruleta para volver al menú principal.

Para finalizar su entrenamiento ver:  
"Finalizar su entrenamiento"

### Tabla de resultado de test VO2 Max

Hombres/ Inspiración máxima de oxígeno (VO2MAX)							
1 = muy escaso / 7 = excelente							
Edad	1	2	3	4	5	6	7
18-19	<33	33-38	39-44	45-51	52-57	58-63	>63
20-24	<32	32-37	38-43	44-50	51-56	57-62	>62
25-29	<31	31-35	36-42	43-48	49-53	54-59	>59
30-34	<29	29-34	35-40	41-45	46-51	52-56	>56
35-39	<28	28-32	33-38	39-43	44-48	49-54	>54
40-44	<26	26-31	32-35	36-41	42-46	47-51	>51
45-49	<25	25-29	30-34	35-39	40-43	44-48	>48
50-54	<24	24-27	28-32	33-36	37-41	42-46	>46
55-59	<22	22-26	27-30	31-34	35-39	40-43	>43
60-65	<21	21-24	25-28	29-32	33-36	37-40	>40

Mujeres/ Inspiración máxima de oxígeno (VO2MAX)							
1 = muy escaso / 7 = excelente							
Edad	1	2	3	4	5	6	7
18-19	<28	28-32	33-37	38-42	43-47	48-52	>52
20-24	<27	27-31	32-36	37-41	42-46	47-51	>51
25-29	<26	26-30	31-35	36-40	41-44	45-49	>49
30-34	<25	25-29	30-33	34-37	38-42	43-46	>46
35-39	<24	24-27	28-31	32-35	36-40	41-44	>44
40-44	<22	22-25	26-29	30-33	34-37	38-41	>41
45-49	<21	21-23	24-27	28-31	32-35	36-38	>38
50-54	<19	19-22	23-25	26-29	30-32	33-36	>36
55-59	<18	18-20	21-23	24-27	28-30	31-33	>33
60-65	<16	16-18	19-21	22-24	25-27	28-30	>30

## T-Road

- Girar el botón de ruleta y seleccionar "T-Road".
- Presionar la ruleta para confirmar y acceder a la pantalla de ajustes. (Fig. F-30)

Hay 3 pistas disponibles a seleccionar. Sabiendo: Tuscany Sandy Road/ Tuscany Scenrey Road/ Tuscany Country Road.

- Girar la ruleta y seleccionar su pista de entrenamiento.
- Presionar la ruleta para confirmar y acceder a la pantalla de vídeo del entrenamiento.
- Presionar la ruleta durante el entrenamiento para cambiar entre pantalla video (fig. F-31) o pantalla perfil. (Fig. F-32)

### Pantalla en perfil:

- La línea de puntos blancos muestra la posición actual, la cual se mueve hacia delante cuando se incrementa el tiempo de entrenamiento.
- La curva naranja muestra el ritmo cardíaco del usuario, el cual varía si la frecuencia de ritmo cardíaco sube y baja.

### Pantalla en video:

- En la derecha de la pantalla está el cambio de marcha 1~8, usar el botón de ruleta para cambiar.
- El icono blanco + 0° en la parte inferior izquierda de la pantalla muestra el nivel de inclinación y este varía con el cambio del nivel de perfil de inclinación.
- Al presionar Back/ stop, Menú principal o la línea de puntos blancos alcanza el valor del objetivo puede salir de su pantalla de entrenamiento.

Para finalizar su entrenamiento ver:  
"Finalizar su entrenamiento"

## T-Trainer



NOTE

Esta función está solo disponible para elípticos.

- Girar la ruleta y seleccionar "T-Trainer".
- Presionar la ruleta para confirmar y comenzar el ejercicio en la pantalla, comenzando con el modo Free Ride.

### Pantalla de entrenamiento.

- Muestra el modo de entrenamiento durante 10 segundos y cambia a modo de ejercicio.
- Hay 6 modos de entrenamiento.
- Sabiendo: Empujar brazo/ brazada/ pedalada hacia delante/ pedalada hacia atrás/ inclinarse/ agacharse
- Entre cada modo de entrenamiento hay un minuto de intervalo de pedalada libre. (Fig. F-36)

- El mensaje de entrada en la pantalla: "Ralentizar"/"Acelerar"/"Velocidad, "ok" informa al usuario si la velocidad debe ser incrementada o disminuida.
- Cuando presiona el botón de la ruleta el programa se activa en el siguiente modo de entrenamiento sin mensaje previo.
- El eje X señala el tiempo en minutos ente 0~30. Se actualiza cada 15 minutos en la pantalla de entrenamiento.
- En el eje Y la unidad en Nm.
- El gráfico de barras muestra el valor Nm. Girar la ruleta para ajustar el valor Nm.
- La línea de puntos blancos muestra la posición actual; la cual se mueve hacia la derecha según se incrementa el tiempo de ejercicio. La pantalla de entrenamiento podría mostrar datos de 5 horas a lo sumo.
- La curva naranja muestra el ritmo cardíaco actual del usuario, el cual varía cuando la frecuencia cardíaca sube o baja.
- La esquina superior de la pantalla muestra el final de la cuenta atrás del valor actual del modo de entrenamiento, el cual se pone a cero cuando se activa el siguiente modo de entrenamiento.
- La esquina de la izquierda de la pantalla muestra un breve mensaje; Decelerar/Acelerar/Velocidad ok para recordarle al usuario que suba o baje la velocidad.
- Presionar el botón Back/stop, botón del menú principal para salir de la pantalla de entrenamiento.

Pantalla modo de entrenamient (Fig. 37)

Para finalizar su entrenamiento ver:  
"Finalizar su entrenamiento"

## Parametros usuario

Presionar el botón "User/Settings" para acceder al menú principal de Usuario/ Parámetros.

- Usar el botón giratorio para seleccionar una de las seis opciones disponibles.
- Presionar el botón giratorio para confirmación y acceder en pantalla a los parámetros seleccionados.



## Datos usuario

---

Seleccionando "Datos usuario" usted puede ver los datos de entrenamiento del usuario seleccionado. Usted puede ver los datos de la última sesión de entrenamiento o una suma de todas las sesiones del usuario. (fig. F-33)

Salir de los datos de entrenamiento presionando BACK/STOP.

## Editar usuario

---

Seleccionando "Editar usuario" usted puede.

- Ajustar el brillo (Por defecto=50%).
- Revisar el kilometraje total de la máquina.
- Revisar el tiempo de uso de la máquina.
- Revisar el soporte por defecto y la versión de software del monitor.
- Cambiar el idioma.
- Seleccionar el botón de sonido encendido o apagado.

Ventana parámetros de usuario (Fig. F-35)

### Cómo modificar parámetros.

- Girar la ruleta para seleccionar el parámetro a cambiar.
- Presionar ruleta para abrir la opción elegida en el lado derecho de la pantalla.
- Girar ruleta para cambiar el valor seleccionado.
- Presionar el botón para confirmar el cambio.
- Girar la ruleta para seleccionar el siguiente dato o usar Back/Stop para volver al menú principal.

## Editar usuario

---

Seleccionando "Editar usuario" usted puede editar: (Fig. F-34)

### Nombre de usuario:

- Girar la ruleta y seleccionar "Name" (nombre).
- Presionar ruleta para abrir "Name".
- Girar la ruleta para seleccionar letra.
- Presionar ruleta para confirmar.
- Girar ruleta para seleccionar siguiente letra.
- Cuando el nombre esté correctamente editado seleccionar "✓" para confirmar nombre y volver al menú de editar usuario.

### Unidades, Visualizar

- Girar la ruleta y seleccionar "Units"(unidades).
- Presionar el botón giratorio para abrir la edición "Units".
- Girar la ruleta para seleccionar.
- Métrica: muestra unidades en km/ kmh/ Kcal.

- Imperial: muestra unidades en millas/ mph/Kcal.
- Presionar ruleta para confirmar y volver al menú "editar usuario".

### Visualizar

- Girar ruleta y seleccionar "Display".
- Presionar ruleta para abrir "Display".
- Girar ruleta para seleccionar
- Cuenta atrás: fijar tiempo/ distancia será contada hacia atrás.
- Presionar ruleta para confirmar y volver al menú "editar usuario".

### Género

- Girar la ruleta y seleccionar "Gender".
- Presionar ruleta para editar "Gender".
- Girar botón ruleta para seleccionar Male (masculino)/Female (femenino).

### Edad

- Girar ruleta y seleccionar "Age".
- Presionar ruleta para editar "Age".
- Girar ruleta para cambiar la edad.
- Presionar para confirmar e ir al menú "editar usuario".

### Altura

- Girar ruleta y seleccionar "Height".
- Presionar ruleta para editar "Height".
- Girar ruleta para cambiar altura en cm cuando las unidades están en sistema métrico, en pies cuando las unidades están en Imperial.
- Presionar ruleta para confirmar y volver al menú "editar usuario".

### Peso

- Girar ruleta y seleccionar "Weight".
- Presionar ruleta para editar "Weight".
- Girar ruleta para cambiar Peso en kg cuando las unidades están en sistema métrico, en libras cuando las unidades están en Imperial.
- Presionar ruleta para confirmar y volver al menú "editar usuario".

### Ritmo cardíaco máximo

- Girar ruleta y seleccionar "Max HR".
- Presionar ruleta para editar "Max HR".
- Girar ruleta para cambiar el ritmo cardíaco máximo prefijado por defecto;
- cuando es seleccionado masculino: 220 menos la edad. Cuando es seleccionado femenino: 226 menos la edad
- Presionar ruleta para confirmar y volver al menú "editar usuario".

## Borrar usuario

Seleccionado "Borrar usuario" usted puede:

- Borrar un usuario y todos sus datos.
- Girar ruleta y seleccionar el usuario que quiere borrar.
- Presionar ruleta para eliminar el usuario seleccionado y volver al menú.



### NOTE

- El usuario será eliminado sin más trámites.

## Cambiar usuario

Seleccionando "Change User" usted puede:  
Seleccionar otro perfil de usuario prefijado.

- Girar ruleta y seleccionar el usuario que usted quiere activar.
- Presionar ruleta para confirmar el usuario seleccionado y volver atrás para acceder a menú.

## Crear usuario

Seleccionando "Crear usuario" usted puede crear un perfil de usuario nuevo. Un máximo de 8 usuarios pueden ser instalados.

Ver editar usuario para saber como crear usuario

## Modo BT (Bluetooth)

Gire el botón de control para elegir Modo BT y pulse el botón en el modo BT.

### Conexión BT

Se encenderá el módulo Bluetooth y se conectará el dispositivo BT automáticamente.

Pulse el botón de control o el botón atrás para salir de esta página y el módulo Bluetooth se apagará.

## Limpieza y mantenimiento

La máquina no requiere un mantenimiento especial. No es necesario recalibrar la máquina cuando ésta se ha montado, utilizado y mantenido según las instrucciones.



### ADVERTENCIA

- Antes de la limpieza y el mantenimiento, retire el adaptador.
- No utilice disolventes para limpiar la máquina.
- Limpie la máquina con un paño suave y absorbente tras cada uso.
- Compruebe periódicamente que todos los tornillos y las tuercas estén apretados.
- En caso necesario, lubrique las juntas.

## Defectos y fallos

A pesar del control de calidad continuo, la máquina puede presentar defectos y fallos ebidos a piezas individuales. En la mayoría de los casos, será suficiente sustituir la pieza defectuosa.

- Si la máquina no funciona correctamente, contacte inmediatamente con su proveedor.
- Facilite al proveedor el número de modelo y el número de serie de la máquina. Indique la naturaleza del problema, las condiciones de uso y la fecha de compra.

## Transporte y almacenamiento



### ADVERTENCIA

- Antes del transporte y el almacenamiento, retire el adaptador.
- Al menos dos personas deben transportar y mover la máquina.
- Hay que colocarse de pie delante de la máquina en cada lado y agarrar bien por los manillares. Levante la parte delantera de la máquina para poder levantar la parte trasera sobre las ruedas. Mueva la máquina y bájela con cuidado. Coloque la máquina sobre una base protectora para evitar daños en la superficie del suelo.
- Mueva la máquina con cuidado sobre superficies irregulares. No suba la máquina por las escaleras usando las ruedas; transporte la máquina por los manillares.
- Almacene la máquina en un lugar seco con la menor variación de temperatura posible.

## Información adicional

### Eliminación de embalajes

Las pautas gubernamentales exigen reducir la cantidad de residuos que se depositan en los basureros. Por este motivo, le rogamos que deseche los embalajes de manera responsable en centros públicos de reciclaje.

### Eliminación al final de la vida útil

Desde Tunturi esperamos que disfrute de su equipo de entrenamiento durante muchos años. No obstante, llegará un momento en que éste llegue al final de su vida útil. Conforme a la Directiva WEEE (relativa a la gestión de residuos procedentes de equipos eléctricos y electrónicos) le corresponde a usted la responsabilidad de desechar adecuadamente su equipo de entrenamiento en un centro público autorizado de recogida.

## Datos técnicos

Parámetro	Unidad de medición	Valor
Longitud	cm inch	146 57.5
Anchura	cm inch	67 26.4
Altura	cm inch	164 64.6
Peso	kg lbs	65.9 145
Peso máx. del usuario	kg lbs	135 300
Adaptador	V Ma.	26V-DC 2.3 A

## Garantía

### Garantía del propietario del equipo Tunturi

#### Condiciones de la garantía

El consumidor tiene derecho a la aplicación de los derechos legales específicos de la legislación nacional concernientes al comercio de bienes de consumo y esta garantía no limita dichos derechos. La Garantía del Propietario sólo estará en vigor cuando el equipo se utilice en el entorno de uso permitido por Tunturi New Fitness BV para dicho equipo de ejercicio. En las instrucciones de uso de cada aparato se especifica el entorno de uso permitido para el mismo.

#### Términos de la garantía

Los términos de la garantía comenzarán el día de la compra. Los términos de garantía pueden variar por país, así que consulte con su distribuidor local para ver cuáles son los términos de la garantía.

#### Cobertura de la garantía

Tunturi New Fitness BV o los distribuidores Tunturi no responderán en ninguna circunstancia a causa de esta garantía por los eventuales daños indirectos, secundarios, resultantes o especiales de ningún tipo derivados del uso o la imposibilidad de uso de este equipo.

#### Restricciones a la garantía

La garantía cubre los fallos debidos a la fabricación y los materiales en un equipo de ejercicio que esté en su ensambladura original. La garantía cubre solamente defectos que se manifiesten durante un uso normal, conforme a las instrucciones dadas en la guía suministrada con el equipo, a condición de que se hayan observado las instrucciones de montaje, mantenimiento y utilización proporcionadas por Tunturi. Tunturi New Fitness BV y los distribuidores Tunturi no pueden responder de fallos ocasionados por circunstancias ajenas a su control. La presente garantía sólo es válida para el comprador original del equipo de ejercicio y tiene vigencia solamente en los países en los que Tunturi New Fitness BV cuenta con un importador autorizado. La garantía no cubre los equipos de ejercicio o sus partes que hayan sido modificados sin el consentimiento previo de Tunturi New Fitness BV. La garantía no cubre fallos derivados del desgaste normal, de un uso indebido, de su uso en condiciones para las que el equipo no ha sido concebido, corrosión o daños sufridos durante la carga o el transporte.

La garantía no cubre los sonidos o ruidos emitidos durante el uso que no impidan de forma sustancial la utilización del equipo y que no estén provocados por un fallo del mismo

La garantía no cubre las actividades de mantenimiento tales como limpieza, lubricación o el ajuste normal de las piezas, ni los procedimientos de instalación que el cliente pueda realizar por sí mismo y que no requieran un desmontaje / montaje especial del equipo de ejercicio. Estos procedimientos son, por ejemplo, el cambio de contadores, pedales o de otras piezas simples similares. No se reembolsarán las reparaciones realizadas durante el periodo de garantía por agentes no autorizados por Tunturi. Si no se siguen adecuadamente las instrucciones dadas en el Manual del Propietario se invalidará la garantía del producto.

## **Declaración del fabricante**

---

Tunturi New Fitness BV declara que el producto es conforme con las siguientes normas y directivas: EN 957 (HB), 89/336/CEE. Por tanto, el producto dispone de marcado CE.

01-2017

Tunturi New Fitness BV  
Purmerweg 1  
1311 XE Almere  
The Netherlands

## **Descargo de responsabilidad**

---

© 2017 Tunturi New Fitness BV  
Reservados todos los derechos.

El producto y el manual están sujetos a cambios. Las especificaciones pueden cambiarse sin previo aviso.

## Index

<b>Crosstrainer</b> .....	<b>85</b>
<b>Säkerhetsvarningar</b> .....	<b>85</b>
Elsäkerhet	86
Beskrivning (fig. A)	86
Förpackningens innehåll (fig. B & C)	86
Montering (fig. D)	86
<b>Träning</b> .....	<b>86</b>
Övning Instruktioner	87
Hjärtfrekvens	87
<b>Användning</b> .....	<b>88</b>
Strömförsörjning (fig. E)	88
<b>Panel (fig F)</b> .....	<b>88</b>
Förklaring av knappar	89
Manövrering	89
<b>Program</b> .....	<b>89</b>
Quick start	89
Avsluta träningen	89
Konstant puls	90
Manuell..	90
Konstant watt	90
T-Ride.....	91
Preset Programs	91
Egna program	91
Fitness test	92
T-Road ...	93
T-Trainer.	93
<b>Editera Användare</b> .....	<b>93</b>
Användarlog	93
Användarlog	94
Editer användare	94
Stryk användare	94
Byt användare	95
Skapa användare	95
Mode BT (Bluetooth)	95
<b>Rengöring och underhåll</b> .....	<b>95</b>
Fel och funktionsstörningar	95
<b>Transport och lagring</b> .....	<b>95</b>
Ytterligare information	95
<b>Teknisk information</b> .....	<b>96</b>
<b>Garanti</b> .....	<b>96</b>
<b>Försäkran från tillverkaren</b> .....	<b>96</b>
<b>Friskrivning</b> .....	<b>96</b>

### På svenska

Denna handbok är en översättning av den engelska texten. Vi förbehåller oss rätten till eventuella översättningsfel. Den engelska originaltexten råder.

## Crosstrainer

Välkommen till Tunturi Fitness värld!

Tack för att du köpte denna utrustning från Tunturi.

Tunturi erbjuder ett stort utbud av professionell träningsutrustning, exempelvis crosstrainers, löpband, träningscyklar och roddmaskiner. Utrustning från Tunturi passar hela familjen, oavsett träningsnivå. Mer information finns på vår webbplats, [www.tunturi.com](http://www.tunturi.com)

## Säkerhetsvarningar



### VARNING

Läs säkerhetsvarningarna och instruktionerna. Om inte säkerhetsvarningarna och instruktionerna följs kan det medföra skador på personer eller utrustningen. Behåll säkerhetsvarningarna och instruktionerna för framtida bruk.



### VARNING

System för övervakning av hjärtfrekvensen är inte alltid exakta. Överträning kan medföra allvarlig skada eller död. Sluta omedelbart att träna om du känner dig svag.

- Utrustningen är lämplig för hemmet och för professionellt bruk (t.ex. sjukhus, brandstationer, hotell, skolor etc.). Maximal användning är begränsad till 6 timmar per dag. Utrustningen är inte anpassad för fullständig kommersiell användning (t.ex. stora gym).
- Om utrustningen används av barn eller personer med fysiska, sensoriska, mentala eller motoriska handikapp, eller som saknar erfarenhet och kunskap, kan detta medföra risker. Personer som är ansvariga för deras säkerhet måste ge tydliga instruktioner, eller övervaka användningen av utrustningen.
- Innan du påbörjar din träning, uppsök en läkare som kan kontrollera din hälsa.
- Om du upplever illamående, yrsel eller andra onormala symptom, avsluta genast din träning och kontakta en läkare.
- Börja varje träningspass med att värma upp och avsluta varje träningspass med nedvarvning för att undvika muskelsmärter och sträckningar. Kom ihåg att stretcha i slutet av träningen.
- Utrustningen är endast anpassad för användning inomhus. Utrustningen är inte anpassad för användning utomhus.
- Använd endast utrustningen i miljöer med god ventilation. Använd inte utrustningen i dragiga miljöer för att undvika att bli förkyld.
- Använd endast utrustningen i miljöer med temperatur mellan 10 °C och 35 °C. Förvara endast utrustningen i miljöer med temperatur mellan 5 °C och 45 °C.

- Använd inte och förvara inte utrustningen i fuktig miljö. Luftfuktigheten får aldrig överstiga 80%.
- Använd endast utrustningen för dess avsedda ändamål. Använd inte utrustningen för andra ändamål än de som beskrivs i handboken.
- Använd inte den här utrustningen om någon del är trasig eller skadad. Om någon del är trasig eller skadad, kontakta din återförsäljare.
- Håll undan händer, fötter och andra kroppsdelar från de rörliga delarna.
- Håll undan håret från de rörliga delarna.
- Bär passande kläder och skor.
- Håll undan kläder, smycken och andra föremål från de rörliga delarna.
- Låt bara en person åt gången använda utrustningen. Utrustningen får inte användas av personer som väger mer än 135 kg (300 lbs).
- Öppna inte utrustningen utan att kontakta din återförsäljare.

## Elsäkerhet

(endast elektrisk utrustning)

- Före användning, kontrollera alltid att nätspänningen är densamma som spänningen på utrustningens märkplåt.
- Använd inte en förlängningssladd.
- Håll strömkabeln borta från värme, olja och vassa kanter.
- Ändra inte strömkabeln eller kontakten.
- Använd inte utrustningen om strömkabeln eller kontakten är trasig eller skadad. Om strömkabeln eller kontakten är trasig eller skadad, kontakta din återförsäljare.
- Rulla alltid ut strömkabeln helt.
- Dra inte strömkabeln under utrustningen. Dra inte strömkabeln under en matta. Placera inte några föremål på strömkabeln.
- Kontrollera att strömkabeln inte hänger över en bordskant. Kontrollera att strömkabeln inte kan kommas åt avsiktligt eller snubblas över.
- Lämna inte utrustningen obebakad med kontakten instoppad i vägguttaget.
- Dra inte i strömkabeln för att avlägsna kontakten från vägguttaget.
- Avlägsna stickkontakten från vägguttaget när utrustningen inte används, innan den monteras eller monteras isär och innan den rengörs eller underhålls.

## Beskrivning (fig. A)

Din crosstrainer är en stationär träningsmaskin som används för att simulera promenad eller löpning utan att orsaka kraftigt tryck på lederna.

## Förpackningens innehåll (fig. B & C)

- Förpackningen innehåller delarna som visas i fig. B.
- Förpackningen innehåller de fästdon som visas i fig. C. Se avsnittet "Beskrivning".



### ANMÄRKNING

- Om någon del saknas, kontakta din återförsäljare.

## Montering (fig. D)



### VARNING

- Montera utrustningen i angiven ordning.
- Var två om att bära och förflytta utrustningen.



### OBS.

- Placera utrustningen på en stabil och jämn yta.
- Placera utrustningen på en skyddande grund för att förhindra att golvet skadas.
- Lämna åtminstone 100 cm fritt runt utrustningen.

- Illustrationerna visar det korrekta sättet att montera utrustningen.



### ANMÄRKNING

- Spara verktygen som följer med denna produkt när monteringen är klar så att du kan använda dem för framtida servicearbeten.

## Träning

Träningen måste vara lagom lätt, men hålla på länge. Aerobisk träning är till för att förbättra kroppens maximala syreupptag, vilket förbättrar uthålligheten och konditionen. Du ska svettas, men du ska inte bli andfådd under träningen. För att uppnå och behålla en grundkondition, träna åtminstone tre gånger i veckan, 30 minuter åt gången. Öka antalet träningspass för att förbättra din kondition. Det är bra att kombinera regelbunden träning med hälsosam kost. En person som har bestämt sig för att banta bör träna dagligen, 30 minuter eller mindre till en början och sedan öka den dagliga träningstiden till en timme. Börja din träning i låg hastighet och med lågt motstånd för att förhindra att hjärtkärlsystemet utsätts för kraftig belastning. När konditionen förbättras, kan hastigheten och motståndet ökas gradvis. Din tränings effektivitet kan mätas genom att kontrollera din hjärtfrekvens och din puls.

## Övning Instruktioner

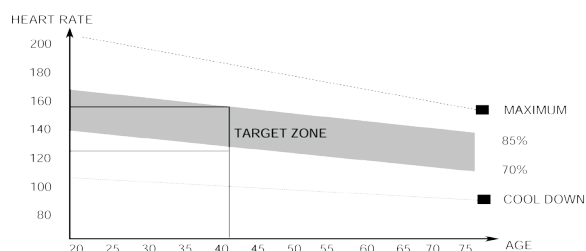
Användningen av ditt träningsredskap kommer att ge dig många fördelar; det kommer att förbättra din fysiska kondition, tona musklerna och tillsammans med en kalorikontrollerad diet hjälpa dig att gå ned i vikt.

### Uppvärmningsfasen

Denna fas får blodet att börja pumpa runt i kroppen och förbereder musklerna på aktivitet. Den minskar även risken för kramp och muskelskada. Det är tillrådligt att göra några stretchövningar som visas nedan. Varje stretchövning ska hållas i ungefär 30 sekunder. Tvinga eller tryck inte in musklerna i en stretchövning. Om det gör ont, SLUTA

### Träningsfasen

Detta är fasen där du jobbar. Efter regelbunden användning, kommer musklerna i dina ben att bli mer flexibla. I denna fas är det mycket viktigt att bibehålla ett jämnt tempo från början till slut. Ansträngningsnivån ska vara tillräcklig för att höja din puls till målzonen som visas i nedanstående figur



Denna fas bör pågå i minst 12 minuter, även om de flesta börjar med ungefär 15-20 minuter.

### Nedvarvningsfasen

Under denna fas får ditt kardiovaskulära system och dina muskler varva ned. Den är en upprepning av uppvärmningsövningen, t.ex. minska ditt tempo, fortsatt i ca 5 minuter. Stretchövningarna ska nu upprepas. Kom ihåg att inte tvinga eller trycka in musklerna i stretchövningen.

När du blir mer vältränad, kan du träna längre och hårdare. Vi rekommenderar att träna minst tre gånger i veckan, och, om möjligt, fördela dina träningstillfällen jämnt under hela veckan.

### Muskeltoning

För att tona musklerna när du använder träningsredskapet, måste du ställa in en ganska hög belastning. Detta belastar benmusklerna mer och kan innebära att du inte kan träna så länge som du vill. Om du även försöker förbättra din kondition, måste du ändra ditt träningsprogram. Du bör träna som vanligt under uppvärmnings- och nedvarvningsfaserna, men mot slutet av träningsfasen kan du öka belastningen så att dina ben får jobba hårdare. Du måste minska hastigheten för att hålla pulsen i målzonen.

## Viktminskning

Den viktigaste faktorn här är hur mycket du anstränger dig. Ju hårdare och längre du tränar, desto fler kalorier bränner du. Detta är i princip detsamma som om du tränade för att förbättra din kondition, skillnaden är målet.

## Hjärtfrekvens

### Pulsmätning (handpulssensorer)

Pulsen mäts av sensorer i handtagen när användaren vidrör båda sensorerna samtidigt. Bäst pulsmätning fås när skinnet är en aning fuktigt och i ständig kontakt med handpulssensorerna. Om skinnet är för torrt eller för fuktigt kan pulsmätningen bli mindre exakt.



#### ANMÄRKNING

- Använd inte handpulssensorer tillsammans med ett pulsbalte.
- Om du har ställt in en begränsning av hjärtfrekvensen för din träning, kommer ett larm att ljuda när den överskrids.

### Hjärtfrekvensmätning (pulsbalte)

Den mest exakta mätningen av hjärtfrekvensen uppnås med ett pulsbalte. Hjärtfrekvensen mäts av en hjärtfrekvensmottagare i kombination med ett pulsbalte med sändare. Korrekt pulsmätning kräver att elektroderna på sändarbaltet är en aning fuktiga och i ständig kontakt med skinnet. Om elektroderna är för torra eller för fuktiga kan pulsmätningen bli mindre exakt.



#### VARNING

- Kontakta en läkare innan du använder ett pulsbalte om du har pacemaker.



#### OBS.

- Om det finns flera enheter för hjärtfrekvensmätning bredvid arandra, kontrollera att avståndet mellan dem är minst 2 meter.
- Om det bara finns en hjärtfrekvensmottagare och flera hjärtfrekvenssändare, kontrollera att bara en person med sändare är inom mottagningsområdet.



#### ANMÄRKNING

- Använd inte ett pulsbalte tillsammans med handpulssensorer.
- Bär alltid pulsbaltet under dina kläder, i direktkontakt med huden. Bär inte pulsbaltet utanpå kläderna. Om du bär pulsbaltet utanpå kläderna kommer det inte att bli någon signal.

- Om du har ställt in en begränsning av hjärtfrekvensen för din träning, kommer ett larm att ljuda när den överskrids.
- Sändaren sänder hjärtfrekvensen till panelen upp till ett avstånd på 1,5 meter. Om elektroderna inte är fuktiga, kommer inte hjärtfrekvensen att visas på displayen.
- Vissa klädfibrer (t.ex. polyester eller polyamid) skapar statisk elektricitet som kan förhindra en korrekt mätning av hjärtfrekvensen.
- Mobiltelefoner, tv-apparater och andra elektriska apparater skapar ett elektromagnetiskt fält som kan förhindra en korrekt mätning av hjärtfrekvensen.

### Maximal hjärtfrekvens (under träning)

Den maximala hjärtfrekvensen är den högsta hjärtfrekvens en person säkert kan få vid träning. Följande formel används för att beräkna den genomsnittliga maximala hjärtfrekvensen:  $220 - \text{ÅLDER}$ . Den maximala hjärtfrekvensen varierar från person till person.



#### VARNING

- Kontrollera att du inte överskrider din maximala hjärtfrekvensen under din träning. Kontakta en läkare om du tillhör en riskgrupp.

### Nybörjarnivå 50-60% av den maximala hjärtfrekvensen

Passar nybörjare, viktväktare, konvalescenter och personer som inte har tränat på länge. Träna åtminstone tre gånger i veckan, 30 minuter åt gången.

### Avanceradnivå 60-70% av den maximala hjärtfrekvensen

Passar personer som vill förbättra och underhålla konditionen. Träna åtminstone tre gånger i veckan, 30 minuter åt gången.

### Expert 70-80% av den maximala hjärtfrekvensen

Passar de mest vältränade, som är vana vid långa och tunga träningspass.

## Användning

### Justera stödfötterna

Utrustningen är utrustad med 4 stödfötter. Om utrustningen inte är stabil, kan stödfötterna justeras..

- Vrid stödfötterna för att placera utrustningen i en stabil position.
- Vrid åt låsmuttrarna för att låsa stödfötterna.



#### ANMÄRKNING

Maskinen är i maximalt stabilt läge när alla stödfötter vrids helt inåt. örja därför att placera maskinen helt plant genom att vrida alla stödfötter helt inåt, innan du vrider ut de nödvändiga stödfötterna för att stabilisera maskinen.

### Strömförsörjning (fig. E)

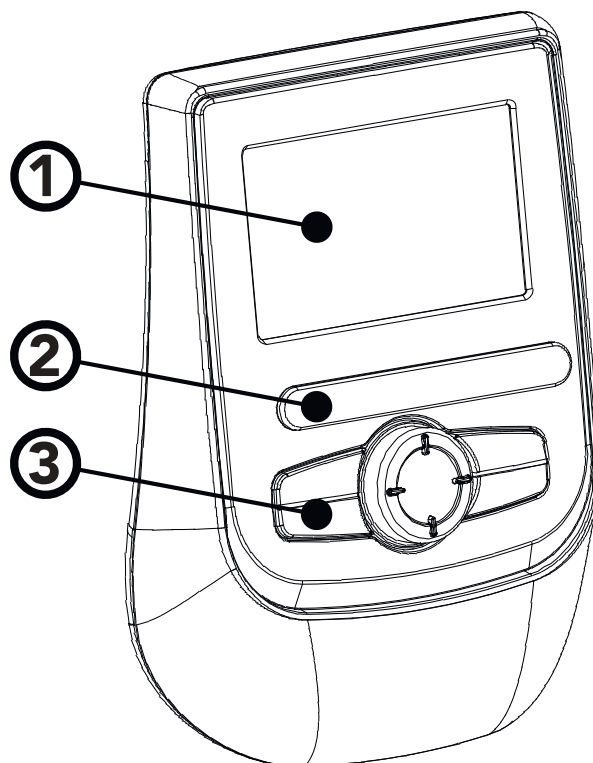
Träningsredskapet försörjs av en extern strömkälla. Illustrationen visar strömingången på träningsredskapet.



#### ANMÄRKNING

- Anslut strömförsörjningen till träningsredskapet innan det ansluts till vägguttaget.
- Dra alltid ut sladden när maskinen inte används.

### Panel (fig F)



1. Skärm
2. Bok/ tablett rack
3. Knappar



#### OBS

- Skydda panelen från direkt solljus.
- Torka av panelens yta när den är täckt av svett droppar.
- Luta dig inte mot panelen.



- Vidrör endast displayen med din fingertopp. Var noga med att inte dina naglar eller vassa föremål vidrör displayen.



### ANMÄRKNING

- Panelen övergår till viloläge när utrustningen inte har använts på 4 minuter.

## Förklaring av knappar

### BACK/ STOP

- Gå tillbaka till föregående fönster.
- Avbryt den aktiva träningen

### QUICK START

- Börja träna utan aktuella inställningar. All träningsinformation kommer att räknas nerifrån och upp.)

### MAIN MENU

- Den går tillbaka till huvudmenyn.
- Under träningen ställer du in konsolen i läget "Avsluta träningen"

### USER SETTING

- Tryck på den här knappen för att öppna lägeskärmen Användare/Inställningar
- Knappen fungerar inte under träning.

### MODE/ ENTER

#### Vridfunktioner:

- Välj träningsläge i huvudmenyn.
- Val av läget Användare/Inställningar
- Välj träningsföremål i inställningsmenyn.
- Öka eller minska inställningsvärdet.
- Justera målvärde (högt/lågt) under träningen.
- Växla upp eller ned under träning med T-Ride™ eller T-Road.
- Låtval, drift och volymjustering skulle kunna

### Horisontellt

Vrid medurs för att välja höger, och moturs för att välja vänster.

### Vertikalt

- Vrid medurs för att växla upp, moturs för att växla ner.

### Knappfunktioner:

- Bekräftelse av Sportläget.
- Alternativbekräftelse i läget Användare/Inställning.
- Bekräftelse av träningsföremål på inställningsskärmen.
- Bekräftelse av inställningsvärde.
- Skärmväxling mellan bpm-Nm eller bpm-W under träningen.

- Skärmväxling mellan bpm-m eller bpm-ft under T-Ride™.
- Skärmväxling mellan Video-Profil under T-Road.
- Växla till nästa handledningsläge under T-Trainer™.

### Externa ljudutgångar

#### USB uttag

USB-porten kan användas för:

- USB-laddningspunkt.
- Serviceändamål såsom ogramvaruuppdatering.



#### OBS

- Formatet ska inte vara NTFS

## Manövrering

### Ström på

- Tryck på valfri knapp för att sätta på strömmen om enheten befinner sig i läget SLEEP..

När programmet har laddats (fig. F-01) visar användargränssnittet huvudmenyn(fig. F-02).

Trainer är nu redo att börja din träningsprogrammering genom att bara välja quick start och sätta igång.

## Program

### Quick start

- Vrid på vridknappen och välj "Quick start".
- Tryck på vridknappen för att bekräfta och snabbt gå till träningskärmen.

(fig. F-03)

X-axeln betecknar tiden i minuter mellan 0~30. Den uppdateras en gång var 15:e minut under träning.

- Tryck under träning på vridknappen för att växla Y-axeln mellan Nm- bpm.
- Stapeldiagrammet betecknar vridmomentet Nm. Vrid på vridknappen för att justera Nm-värde.
- Den vita prickade linjen visar nuvarande position, som rör sig åt höger allteftersom träningstiden ökar. Träningskärmen kan som mest visa uppgifter för fem timmars.

### Avsluta träningen

Skärmen för avsluta träning visas när du trycker på Bakåt/Stopp eller Huvudmenyn, eller när den vita prickade linjen når målvärdet. (Fig. F-04)

**Continue:**

Välj "Continue" för att gå tillbaka till träningskärmen.

**Exit:**

Välj "Exit" för att avsluta och gå till skärmen senaste pass.

**Save&Exit:**

Välj "Save&Exit" och ange ett filnamn längst ned på skärmen: Använd vridknappen för att välja A~Z eller 0~9, spara alla träningsdata och namnge filen för ett nytt träningsläge.

**Sista sessionen (fig. F-05)**

Visa träningsuppgifterna på skärmen Senaste pass. Tryck på vridknappen för att återgå till huvudmenyn

**Konstant puls**

- Vrid på vridknappen och välj "Target heart rate".
- Tryck på vridknappen för att bekräfta och snabbt gå till träningskärmen. (Fig. F-06)
- Vrid på vridknappen för att justera målpulsvärde.
- (Procentandel varierar med bpm-värde)
- Tryck på vridknappen för att bekräfta och gå till inställningsskärmen (2) (Fig F-07)
- Vrid på vridknappen för att välja objekt.
- Tryck på vridknappen för att bekräfta och fortsätta inställningsområdet till höger.
- Vrid på vridknappen för att byta inställningsområden.
- Tryck på vridknappen för att bekräfta och gå till träningskärmen. (Fig. F-08)

X-axelns enhet visas i enlighet med valet av Energi/Tid/ Distans på inställningsskärmen:

Energienhet:	kcal
Tidenhet:	min
Distansenhet:	km (i metriskt)
	mile (i brittiskt)

- Tryck under träning på vridknappen för att växla Y-axeln mellan W - bpm.
- Stapeldiagrammet anger pulsvärde bpm. Vrid på vridknappen för att justera målpulsvärde.
- Den vita prickade linjen visar nuvarande position, som rör sig åt höger allteftersom kalorier/tid/distans ökar.
- Den blå kurvan visar det faktiska Watt-värdet.
- Konsolprogrammering: Hjälper användaren att uppnå målet enligt pulsning under träningen. När den faktiska pulsen är högre än målvärdet, skulle systemet minska Watt-värde; och öka Watt-värde när den faktiska pulsen ligger under målvärdet.
- Meddelandet "Ingen puls" visas om användarens puls inte upptäcks under träningen.

För att avsluta träningen, se: "Avsluta träningen"

**Manuell**

- Vrid på vridknappen och välj "Manual".
- Tryck på vridknappen för att bekräfta och snabbt gå till träningskärmen. (Fig. F-09).
- Vrid på vridknappen för att välja objekt.
- Tryck på vridknappen för att bekräfta och fortsätta inställningsområdet till höger.
- Vrid på vridknappen för att byta inställningsområden.
- Tryck på vridknappen för att bekräfta och gå till träningskärmen. (Fig. F-03)

X-axeln betecknar tiden i minuter mellan 0~30. Den uppdateras en gång var 15:e minut under träning.

- Tryck under träning på vridknappen för att växla Y-axeln mellan Nm- bpm.
- Stapeldiagrammet betecknar vridmoment Nm-värde. Vrid på vridknappen för att justera Nm-värde.
- Den vita prickade linjen visar nuvarande position, som rör sig åt höger allteftersom kalorier/tid/distans ökar.

För att avsluta träningen, se: "Avsluta träningen"

**Konstant watt**

- Vrid på vridknappen och välj "Watt constant".
- Tryck på vridknappen för att bekräfta och snabbt gå till träningskärmen. (Fig.F-10).
- Vrid på vridknappen för att justera mål-Watt-värde.
- ryck på vridknappen för att bekräfta och gå till inställningsskärmen (2) (Fig. F-11)
- Vrid på vridknappen för att välja objekt.
- Tryck på vridknappen för att bekräfta och fortsätta inställningsområdet till höger.
- Vrid på vridknappen för att byta inställningsområden.
- Tryck på vridknappen för att bekräfta och gå till träningskärmen. (Fig. F-12)

X-axelns enhet visas i enlighet med valet av Energi/Tid/ Distans på inställningsskärmen:

Energienhet:	kcal
Tidenhet:	min
Distansenhet:	km (i metriskt)
	mile (i brittiskt)

- Tryck under träning på vridknappen för att växla Y-axeln mellan Nm - bpm.
- Stapeldiagrammet betecknar Watt-värde. Vrid på vridknappen för att justera Watt-värde.
- Den vita prickade linjen visar nuvarande position, som rör sig åt höger allteftersom kalorier/tid/distans ökar.

- Konsolprogrammering: Hjälper användaren att uppnå målet enligt mål-Watt-värde under träningen. När det faktiska Watt-värdet > målvärde, skulle systemet minska Watt-värde; och öka Watt-värde när det faktiska Watt-värdet < målvärdet

För att avsluta träningen, se:  
"Avsluta träningen"

## T-Ride

- Vrid på vridknappen och välj "T-Ride".
- Tryck på vridknappen för att bekräfta och snabbt gå till träningskärmen. (Fig F-13).
- Vrid på vridknappen för att välja mellan: Upp och ned - Trail - Easy Ride - Maraton - Kort runda.
- Tryck på vridknappen för att bekräfta och gå till inställningsskärmen (2) (Fig. F-14)
- Ställ in startpunkten för träningen: vrid på vridknappen för att justera den vänstra vita prickade linjen, tryck på vridknappen för att bekräfta.
- Ställ in slutpunkten för träningen: vrid på vridknappen för att justera den högra vita prickade linjen, tryck på vridknappen för att bekräfta och gå till träningskärmen. (Fig. F-15)

X-axeln visas som avståndsenhet, km i metriskt och mile i brittiskt.

- Tryck under träning på vridknappen för att växla Y-axeln mellan m-bpm i metriskt, ft-bpm i brittiskt.
- Den vita prickade linjen visar nuvarande position, som rör sig åt höger allteftersom distans ökar.
- Den orangefärgade kurvan visar användarens faktiska puls, och varierar allteftersom pulsen går upp och ner.
- Till höger på skärmen finns växelspaken från 1~8.
- Vrid på vridknappen för att växla.
- Den vita ikonen + 0° i den nedre delen till vänster på skärmen visar lutningsgrad och varierar med profilens ändring av lutningen.
- Skärmen senaste pass visar träningsuppgifter. Tryck på vridknappen för att återgå till huvudmenyn.

För att avsluta träningen, se:  
"Avsluta träningen"

## Preset Programs

- Vrid på vridknappen och välj "Preset programs".
- Tryck på vridknappen för att bekräfta och snabbt gå till träningskärmen. (Fig. F-16).
- Turn the jog wheel to select between:
- Vrid på vridknappen för att välja mellan:
- Watt control: Rolling Hills - Hill Climb - Cross Country - Stamina - Power Interval och Puls kontroll: Fat burner 1 - Fat burner 2 - Cardio Strength - Cardio Climb - Cardio Interval.

- Tryck på vridknappen för att bekräfta och gå till inställningsskärmen (2). (Fig. F-17)
- Vrid på vridknappen för att välja objekt.
- Tryck på vridknappen för att bekräfta och fortsätta inställningsområdet till höger.
- Vrid på vridknappen för att byta inställningsområden.
- Tryck på vridknappen för att bekräfta och gå till träningskärmen. (Fig F-18)



**OBS**

### Träningskärmen:

Träningskärmen beror på vilket träningsläge du befinner dig i.

Nm manuellt läge:

Det är samma som manuellt läge.

Watt konstant läge:

Det är samma som förinställda program Watt-läge.

Målpulsläge:

Det är samma som förinställda program pulsläge.

För att avsluta träningen, se:

"Avsluta träningen"

## Egna program

- Vrid på vridknappen och välj "Own trainings".
- Tryck på vridknappen för att bekräfta och snabbt gå till träningskärmen. (Fig. F-20)



**OBS**

- Om det inte finns några sparade pass visar ett meddelandefönster visas.(fig. F-19) .
- Tryck på vridknappen för att återgå till huvudmenyn.

Inställningsskärmen (1) är för användarens sparade objekt och träningsuppgifter.

De visas i den högra och vänstra delen

- Vrid på vridknappen för att välja objekt.
- Tryck på vridknappen för att bekräfta och öppna fönstret för val. (Fig. F-21)
- Vrid på vridknappen och välj objekt (Fig. F-22)

### Välj "Replay"

- Tryck på vridknappen för att bekräfta.
- Gå till träningskärmen och fortsatt föregående träning.

### Välj "Edit"

- Tryck på vridknappen för att bekräfta.
- Gå till och redigera inställningsområde.
- Tryck på vridknappen för att bekräfta och gå till träningskärmen.

## Välj "Delete"

- Vrid på vridknappen för att välja objekt.
- Tryck på vridknappen för att bekräfta och öppna fönstret för val.
- Välj Ja för att radera vald fil, välj nej för att inte radera vald fil.
- Tryck på vridknappen för att bekräfta

## Fitness test

- Vrid på vridknappen och välj "Fitness test".
- Tryck på vridknappen för att bekräfta och snabbt gå till träningskärmen.



### OBS

- Användargränssnittet behöver användarens uppgifter för att behandla Konditionstest, om inga användaruppgifter finns kan Konditionstestet inte starta. ( Fig. F-24)
  - Tryck på vridknappen för att återgå till huvudmenyn.
- Vrid på vridknappen för att välja objekt.
  - (Inaktiv / Aktiv / Atletisk (Fig. F-25)
  - Tryck på vridknappen för att bekräfta och öppna inställningsskärmen (2). (Fig F-26)
  - Vrid på vridknappen för att ställa in användarens målpuls inom Vo2 maxvärde.
  - (Intervallet är mellan 68~220 bpm.) standard: 85 % av maxpuls och användarens maxpuls (bpm) och vikt (kg) visas.
  - Tryck på vridknappen för att bekräfta och öppna informationsfönstret (Fig. F-27)
  - Tryck på vridknappen för att bekräfta och öppna träningskärmen.

*Träningskärmen:*

*Det är samma som förinställda program pulsläge.*

Skärmen visar

### "Test Failed"! om:

- Träningstiden är för kort.
- RPM-värdet är för lågt.
- Målpuls inte uppnås.
- Puls är lägre än 110 bpm.

### "No Heart Rate detected" om:

- Användarens puls inte upptäcks.

Tryck på Bakåt-, stoppknapp:

eller på huvudmenyn för att lämna träningskärmen.

### "Target HR reached! Stop test or Continue"

- Användaren har uppnått målet.
- Tryck på vridknappen för att avsluta testet och visa skärmen träningsuppgifter

Skärmen träningsuppgifter (Fig. F-28)

Tryck på vridknappen för att gå till skärmen Vo2 max testresultat. (Fig. F-29)

- Tryck på vridknappen för att återgå till huvudmenyn.

För att avsluta träningen, se:

"Avsluta träningen"

## Tabell över Vo2 max testresultat

Män/ Maximal syreupptagningsförmåga (VO2MAX)							
1 = Mycket svag / 7 = Utmärkt							
Ålder	1	2	3	4	5	6	7
18-19	<33	33-38	39-44	45-51	52-57	58-63	>63
20-24	<32	32-37	38-43	44-50	51-56	57-62	>62
25-29	<31	31-35	36-42	43-48	49-53	54-59	>59
30-34	<29	29-34	35-40	41-45	46-51	52-56	>56
35-39	<28	28-32	33-38	39-43	44-48	49-54	>54
40-44	<26	26-31	32-35	36-41	42-46	47-51	>51
45-49	<25	25-29	30-34	35-39	40-43	44-48	>48
50-54	<24	24-27	28-32	33-36	37-41	42-46	>46
55-59	<22	22-26	27-30	31-34	35-39	40-43	>43
60-65	<21	21-24	25-28	29-32	33-36	37-40	>40

Kvinnor/ Maximal syreupptagningsförmåga (VO2MAX)							
1 = Mycket svag / 7 = Utmärkt							
Ålder	1	2	3	4	5	6	7
18-19	<28	28-32	33-37	38-42	43-47	48-52	>52
20-24	<27	27-31	32-36	37-41	42-46	47-51	>51
25-29	<26	26-30	31-35	36-40	41-44	45-49	>49
30-34	<25	25-29	30-33	34-37	38-42	43-46	>46
35-39	<24	24-27	28-31	32-35	36-40	41-44	>44
40-44	<22	22-25	26-29	30-33	34-37	38-41	>41
45-49	<21	21-23	24-27	28-31	32-35	36-38	>38
50-54	<19	19-22	23-25	26-29	30-32	33-36	>36
55-59	<18	18-20	21-23	24-27	28-30	31-33	>33
60-65	<16	16-18	19-21	22-24	25-27	28-30	>30

## T-Road

- Vrid på vridknappen och välj "T-Road".
- Tryck på vridknappen för att bekräfta och snabbt gå till träningskärmen. (Fig. F-30).

Det finns 3 valbara låtar.

Nämigen: Tuscany Sandy Road/ Tuscany Scenrey Road/ Tuscany Country Road

- Vrid på vridknappen och välj din träningslåt.
- Tryck på vridknappen för att bekräfta och gå till träningsvideokärmen.
- Tryck på vridknappen under träning för att växla mellan video. (fig. F-31) och profil (Fig. F-32)

### På profilskärmen:

- Den vita prickade linjen visar nuvarande position, som rör sig åt höger allteftersom träningstiden ökar.
- Den orangefärgade kurvan visar användarens faktiska puls, och varierar allteftersom pulsen går upp och ner.

### På videokärmen:

- Till höger på skärmen finns växelspaken från 1~8. Använd vridknappen för att växla.
- Den vita ikonen + 0° i den nedre delen till vänster på skärmen visar lutningsgrad och varierar med profilens ändring av lutningen.
- Genom att trycka på Back/stop, på huvudmenyn, eller när den vita prickade linjen når målvärdet lämnas träningskärmen.

För att avsluta träningen, se:  
"Avsluta träningen"

## T-Trainer



**OBS**

- Denna funktion är enbart avsedd för Crosstrainer modellen.
- Vrid justeringsratten och välj "T-Trainer".
- Tryck ner justeringsratten för att bekräfta ditt val, starta upp träningskärmen och börja med "Free Ride Interval".

### Träningskärmen

- Visar "training mode" i 10 sek och byter därefter till "workout mode".
- Det finns 6 olika träningslägen
- Arm Push/ Arm Pull/ Forward Pedal/ Backward Pedal/ Forward Lean/ Squat.
- Mellan varje träningsläge finns det 1 minuts nedvarvning. (Fig. F-36)

- Meddelandet på skärmen lyder: "Slow down" (Minska)/ "Speed up" (Öka)/ "Speed ok" (Bibehåll hastighet) vilket informerar användaren om rätt hastighet.
- När justeringsratten pressas neråt, byts till nästa träningsläge utan något ytterligare meddelande.
- X-axeln visar på tid i min mellan 0-30. Den uppdateras varje 15:e minut på träningskärmen.
- Y-axeln visar Nm som enhet.
- Stapeln visar vridmomentet i Nm. Vrid på ratten för att justera detta värde.
- Den vita streckade linjen visar nuvarande position, den flyttar sig åt höger efterhand som tiden går. Träningskärmen kan visa data från 5 timmar som mest
- Den orange kurvan visar användarens aktuella hjärtfrekvens, vilken varierar när pulsen stiger och sjunker.
- I det övre högra hörnet av skärmen så är det en nedräkning i tid av den pågående aktiviteten. Denna nedräkning nollställs vid byte till nästa träningsläge.
- I nedre vänstra hörnet visas meddelande som "Slow down / Speed up/ Speed OK – för att motivera användaren.
- Tryck ned Back/ Stop för att lämna träningskärmen.
- träningskärmen. (Fig. F-37)

För att avsluta träningen, se:  
"Avsluta träningen"

## Editera Användare

Tryck på "User/Settings" för att gå till huvudmenyn Användare/Inställningar.

- Använd vridknappen för att välja en av sex tillgängliga objekt.
- Tryck på vridknappen för att bekräfta att öppna inställningsskärm för valt objekt.

## Användarlog

Genom att välja "User Log" kan du: Visa träningsuppgifter för vald användare. Visa antingen uppgifter för senaste träningspasset eller en sammanställning av användares alla pass. (fig. F-33)

Avsluta träningsuppgifter genom att trycka på BACK/ STOP

## Användarlog

---

Genom att välja "Använderlog" kan du:

- Justera ljusstyrkan (standard = 50 %).
- Kontrollera maskinens totala körsträcka.
- Kontrollera maskinens totala använd tid.
- Kontrollera konsolens standardfirmware och mjukvaruversion.
- Byta språk.
- Valknappen pipljud på (ja) eller av (nej).

Fönstret användarinställningar. (Fig. F-35)

### Ändra inställningar

- Vrid på vridknappen för att välja objekt att ändra.
- Tryck på vridknappen för att öppna valt objekt på höger sida av skärmen för redigering.
- Vrid på vridknappen för att ändra värden.
- Tryck på vridknappen för att bekräfta ändring.
- Vrid på vridknappen för att välja nästa objekt, eller använd knappen Back/ Stop för att gå tillbaka till inställningsmenyn.

## Editer användare

---

Genom att välja Edit User kan du:

Redigera: (Fig. F-34)

### Användarnamn:

- Vrid på vridknappen och välj "Namn".
- Tryck på vridknappen för att öppna redigering av "Name".
- Vrid på vridknappen för att välja bokstav.
- Tryck på vridknappen för att bekräfta.
- Vrid på vridknappen för att välja nästa bokstav.
- När namnet angetts korrekt väljer du "✓" för att bekräfta namn och gå tillbaka till menyn redigera användare.

### Enheter, visning

- Vrid på vridknappen och välj "Enheter".
- Tryck på vridknappen för att öppna "Units" edit.
- Vrid på vridknappen för att välja Metric: visar enheter i km/kph/Kcal
- Imperial: visar enheter i mile/mph/kcal.
- Tryck på vridknappen för att bekräfta och gå tillbaka till menyn redigera användare.

### Visa

- Vrid på vridknappen och välj "Visa".
- Tryck på vridknappen för att öppna redigering "Display".
- Vrid på vridknappen för att välja Count up: förinställd tid/distans räknas uppåt
- Count Down: förinställd tid/distans räknas nedåt.
- Tryck på vridknappen för att bekräfta och gå tillbaka till menyn redigera användare.

### Kön

- Vrid på vridknappen och välj "Kön".
- Tryck på vridknappen för att öppna redigering av kön.
- Vrid på vridknappen för att välja Man/Kvinna.
- Tryck på vridknappen för att bekräfta och gå tillbaka till menyn redigera användare.

### Ålder

- Vrid på vridknappen och välj "Ålder".
- Tryck på vridknappen för att öppna redigering av ålder.
- Vrid på vridknappen för att byta ålder.
- Tryck på vridknappen för att bekräfta och gå tillbaka till menyn redigera användare.

### Längd

- Vrid på vridknappen och välj "Längd".
- Tryck på vridknappen för att öppna redigering av längd.
- Vrid på vridknappen för att ändra längd
- I cm vid enheter i metriskt
- I fot/tum vid enheter i brittiskt system.
- Tryck på vridknappen för att bekräfta och gå tillbaka till menyn redigera användare.

### Vikt

- Vrid på vridknappen och välj "Vikt".
- Tryck på vridknappen för att öppna redigering av vikt.
- Vrid på vridknappen för att ändra vikt i kg vid enheter i Metric
- i lbs vid enheter i Imperial.
- Tryck på vridknappen för att bekräfta och gå tillbaka till menyn redigera användare.

### Maxpuls

- Vrid på vridknappen och välj "Maxpuls".
- Tryck på vridknappen för att öppna redigering av maxpuls.
- Vrid på vridknappen för att ändra förinställd standard maxpuls för man: 220-ålder för kvinna: 226-ålder
- Tryck på vridknappen för att bekräfta och gå tillbaka till menyn redigera användare

## Stryk användare

---

Genom att välja "Stryk användare" kan du ta bort en användare och dennes alla uppgifter.

- Vrid på vridknappen och välj den användare du vill ta bort.
- Tryck på vridknappen för att radera den valda användaren och gå tillbaka till inställningsmenyn



**OBS**

- Användaren tas bort utan vidare bekräftelse.

## Byt användare

Genom att välja "Byt användare" kan du välja en annan förinställd användarprofil.

- Vrid på vridknappen och välj den användare du vill aktivera.
- Tryck på vridknappen för att bekräfta vald användare och gå tillbaka till inställningsmenyn.

## Skapa användare

Genom att välja "Skapa användare" kan du skapa en ny användarprofil. Maximalt 8 användare kan installeras.

Se Redigera användare hur du skapar användaren.

## Mode BT (Bluetooth)

Rotation the jog wheel button to choose BT Mode ,and press the button into BT mode.

### BT Connection

The Bluetooth Module will be turned on and connect BT device automatically when this page.

Press the jog wheel button or back button to leave this page ,and Bluetooth Module will be turned off.

## Rengöring och underhåll

Utrustningen kräver inte något särskilt underhåll. Utrustningen kräver inte omkalibrering när den monteras, används eller servas i enlighet med instruktionerna.



### VARNING

- Innan rengöring och underhåll, avlägsna adaptorn.
- Använd inte lösningsmedel för att rengöra utrustningen.
- Rengör utrustningen med en mjuk och absorberande trasa efter varje användning.
- Kontrollera regelbundet att alla skruvar och muttrar är åtdragna.
- Smörj vid behov.

## Fel och funktionsstörningar

Trots ständigt kvalitetskontroller, kan fel och funktionsstörningar inträffa som orsakas av enstaka delar. I de flesta fallen räcker det med att byta ut den felaktiga delen.

- Om utrustningen inte fungerar korrekt, kontakta omedelbart återförsäljaren.
- Lämna utrustningens modellnummer och serienummer till återförsäljaren. Ange problemets art, förhållanden vid användning och inköpsdatum.

## Transport och lagring



### VARNING

- Innan transport och förvaring, avlägsna adaptorn.
- Var två om att bära och förflytta utrustningen.
- Stå framför utrustningen på vardera sidan och ta ett fast grepp i handtagen. Lyft utrustningens framsida så att baksidan lyfts på hjulen. Förflytta utrustningen och sätt ner den försiktigt. Placera utrustningen på en skyddande grund för att förhindra att golvet skadas.
- Förflytta utrustningen försiktigt över ojämna ytor. Förflytta inte utrustningen till övervåningen med hjulen, utan bär utrustningen med handtagen.
- Förvara utrustningen på en torr plats med så liten temperaturvariation som möjligt.

## Ytterligare information

### Bortskaffande av förpackning

Riktlinjer från myndigheter uppmanar att vi minskar mängden avfall som placeras i deponier. Vi ber dig därför att bortskaffa allt förpackningsavfall på ett ansvarsfullt sätt på allmänna återvinningscentraler.

### Bortskaffande av uttjänt redskap

Vi på Tunturi hoppas att du får många års trevlig användning av ditt träningsredskap. Men det kommer en tid när ditt träningsredskap är uttjänt. Enligt den europeiska WEEE-lagstiftningen, ansvarar du för korrekt bortskaffande av ditt träningsredskap på en allmän återvinningsanläggning.

## Teknisk information

Parameter	Måttenhet	Värde
Längd	cm inch	146 57.5
Bredd	cm inch	67 26.4
Höjd	cm inch	164 64.6
Vikt	kg lbs	65.9 145
Max användarvikt	kg lbs	135 300
Adapter Spänning Strömstyrka		26V-DC 2.3 A

## Garanti

### Tunturis ágargarantitunt

#### Garantivillkor

Konsumenten har rätt att tillämpa de nationellt lagstadgade rättigheterna gällande konsumentvaror och denna garanti begränsar inte dessa rättigheter. Ägargarantin är giltig endast om Tunturis träningsredskap används i de miljöer som tillåts enligt Tunturi. Vilka miljöer som är tillåtna står i träningsredskapets bruksanvisning.

#### Garantivillkor

Garantivillkoren börjar att gälla från inköpsdatumet. Garantivillkoren kan variera mellan olika länder. Kontakta en lokal återförsäljare om garantivillkoren.

#### Garantins omfattning

Oavsett omständigheter, ansvarar inte Tunturi New Fitness BV eller Tunturis återförsäljare för uppkomna personskador som påverkar köparen, och som innebär inkomstförlust eller andra ekonomiska följdverkningar.

#### Gegränsningar i garantin

Garantin gäller för arbets- och materialfel, förutsatt att redskapet är i originalmonterat skick. Garantin gäller endast fel som uppstår vid normalt bruk och då den använts enligt Tunturis instruktioner gällande montering, skötsel och användning.

Tunturi New Fitness BV och Tunturis återförsäljare ansvarar ej för fel som uppkommer utanför deras kontroll.

Garantin gäller endast redskapets ursprungliga ägare och är gällande endast i de länder där det finns en godkänd Tunturi New Fitness BV återförsäljare.

Garantin gäller ej för redskap eller delar som har ändrats utan Tunturi New Fitness BV:s godkännande. Garantin gäller ej för fel som beror på normalt slitage, felaktig användning, användning i förhållanden som inte är avsett för redskapet, korrosion eller lastnings- och transportskador.

Garantin täcker inte ljud som uppstår under användning såvida dessa inte väsentligt hindrar utrustningens användning eller har orsakas av ett fel i utrustningen. Garantin gäller inte för underhållsarbete, som rengöring, smörjning eller normal kontroll av komponenterna och inte heller för monteringsarbete som kunden själv kan göra och som inte kräver att redskapet plockas isär/sätts ihop. Det gäller till exempel byte av mätare, trampor eller andra motsvarande enkla delar. Garantireparationer utförda av andra än en godkänd Tunturi-representant, ersätts inte. Ifall instruktionerna i manualen inte följs upphävs produktens garanti.

## Försäkran från tillverkaren

Tunturi New Fitness BV försäkrar att produkten uppfyller följande standarder och direktiv: EN 957 (HB), 89/336/EEG. Produkten är därför CE-märkt.

01-2017

Tunturi New Fitness BV  
Purmerweg 1  
1311 XE Almere  
Nederländerna

## Friskrivning

© 2017 Tunturi New Fitness BV  
Alla rättigheter förbehållna.

Produkten och handboken kan komma att ändras. Specifikationer kan ändras utan förvarning.



## Sisältö

<b>Crosstrainer</b> .....	<b>97</b>
<b>Turvallisuusvaroitukset</b> .....	<b>97</b>
Sähköturvallisuus	98
Kuvaus (kuva. A)	98
Pakkauksen sisältö (kuva. B & C)	98
Kokoonpano (kuva. D)	98
<b>Harjoitukset</b> .....	<b>98</b>
Ohjeita harjoittelua varten	99
Syke .....	99
<b>Käyttö</b> .....	<b>100</b>
virtalähde (kuva. E)	100
<b>Ohjauspaneeli (kuva F)</b> .....	<b>101</b>
Painikkeiden selitykset	101
Toiminta.	101
<b>Ohjelma</b> .....	<b>102</b>
Pika-aloitus	102
Harjoituksen päättäminen	102
Vakiosyke	102
Manuaali	102
Vakioteho	103
T-Ride.....	103
Valmisohjelmat	103
Omat ohjelmat	104
Kuntotesti	104
T-Road ...	105
T-Trainer.	106
<b>Käyttäjäasetukset</b> .....	<b>106</b>
Käyttäjälöki	106
Muokkaa käyttäjä	106
Muokkaa Käyttäjää	106
Poista käyttäjä	107
Vaihda käyttäjä	107
Luo käyttäjä	107
BT-tila (Bluetooth)	107
<b>Puhdistus ja huolto</b> .....	<b>108</b>
Viat ja häiriöt	108
<b>Kuljetus ja säilytys</b> .....	<b>108</b>
Lisätietoa laitteen omistajalle	108
<b>Tekniset tiedot</b> .....	<b>108</b>
<b>Takuu</b> .....	<b>109</b>
<b>Valmistajan vakuutus</b> .....	<b>109</b>
<b>Vastuuvapauslauseke</b> .....	<b>109</b>

### Suomeksi

Tämä suomennettu käyttöohje on käännetty Englannin kielestä. Pidätämme oikeudet mahdollisiin käännösvirheisiin. Käännös tehty virallisen, englanninkielisen version pohjalta.

## Crosstrainer

Tervetuloa Tunturi Fitness -maailmaan!  
Kiitämme sinua tämän Tunturi-laitteen ostosta.  
Tunturi tarjoaa laajan valikoiman ammattimaisia kuntoilulaitteita, mukaan lukien crosstrainerit, juoksumatot, kuntopyörät ja soutulaitteet.  
Tunturi-laite sopii koko perheelle kuntotasosta riippumatta. Katso lisätiedot verkkosivuiltamme [www.tunturi.com](http://www.tunturi.com)

## Turvallisuusvaroitukset



### VAROITUS

*Lue turvallisuusvaroitukset ja -ohjeet.  
Turvallisuusvaroitusten ja -ohjeiden jättäminen noudattamatta voi aiheuttaa henkilön loukkaantumisen tai laiteaurion. Säilytä turvallisuusvaroitukset ja -ohjeet myöhempää käyttöä varten.*



### VAROITUS

*Sykkeenvälöntäjäjärjestelmät saattavat olla epätarkkoja.  
Liiallinen harjoittelu saattaa aiheuttaa vakavia vammoja tai kuoleman. Jos tunnet olosi heikoksi, lopeta harjoittelu heti.*

- Tämä laite soveltuu sekä koti- että ammattikäyttöön (esim. sairaaloihin, paloasemille, hotelleihin, kouluihin). Enimmäiskäyttö on rajoitettu 6 tuntiin päivässä. Laite ei sovellu täyteen kaupalliseen käyttöön (esim. suuriin kuntosaleihin).
- Tämän laitteen käyttö lasten tai fyysisesti, aistillisesti, henkisesti, tai liikunnallisesti rajoittuneiden, tai kokemukseltaan ja tiedoiltaan puutteellisten henkilöiden toimesta voi aiheuttaa vaaratilanteita. Heidän turvallisuudestaan vastuussa olevien henkilöiden on annettava selkeät ja tarkat ohjeet laitteen käytöstä ja valvottava laitteen käyttöä.
- Ennen harjoituksen aloittamista ota yhteys lääkäriin terveystarkastusta varten.
- Jos sinulla on pahoinvointia, huimausta, tai muita epätavallisia oireita, lopeta välittömästi harjoitus ja ota yhteys lääkäriin.
- Vältä lihaskipuja ja venähdyksiä aloittamalla jokainen harjoitus lämmittelyjaksolla ja päätä jokainen harjoitus jäähdyttelyjaksolla. Muista venytellä harjoittelun lopuksi.
- Laite on sopiva vain sisäkäyttöön. Laite ei ole sopiva ulkokäyttöön.
- Käytä laitetta riittävällä tuuletuksella varustetuissa tiloissa. Älä käytä laitetta vetoisissa tiloissa välttääksesi kylmetymisen.
- Käytä laitetta vain ympäristölämpötilassa 10 °C - 35 °C. Säilytä laitetta vain ympäristölämpötilassa 5 °C - 45 °C.

- Älä käytä tai säilytä laitetta kosteissa tiloissa. Ilmankosteus ei saa koskaan olla yli 80 %.
- Käytä laitetta vain sen aiottuun tarkoitukseen. Älä käytä laitetta muihin, kuin tässä käyttöoppaassa esitettyihin tarkoituksiin.
- Älä käytä laitetta, jos sen jokin osa on vaurioitunut tai viallinen. Jos osa on vaurioitunut tai viallinen, ota yhteys jälleenmyyjään.
- Pidä kätesi, jalkasi ja kehon muut osat pois liikkuvista osista.
- Pidä hiuksesi pois liikkuvista osista.
- Käytä asianmukaista vaatetusta ja kenkiä.
- Pidä vaatteet, korut ja muut esineet pois liikkuvista osista.
- Varmista, että vain yksi henkilö kerrallaan käyttää laitetta. Yli 135 kg (300 lbs) ainava henkilö ei saa käyttää laitetta.
- Älä avaa laitetta ilman yhteydenottoa jälleenmyyjäsi.

## Sähköturvallisuus

(koskee vain sähköistä laitetta)

- Varmista aina ennen käyttöä, että sähkölähteen jännite on sama kuin laitekilvessä ilmoitettu laitteen nimellisjännite.
- Älä käytä jatkojohtoa.
- Pidä virtajohto pois kuumasta, öljystä ja terävistä kulmista.
- Älä tee muutoksia virtajohtoon tai pistokkeeseen.
- Älä käytä laitetta, jos virtajohto tai virtajohdon pistoke on vaurioitunut tai viallinen. Jos virtajohto tai virtajohdon pistoke on vaurioitunut tai viallinen, ota yhteys jälleenmyyjäsi.
- Suorista aina virtajohto täysin.
- Älä vie virtajohtoa laitteen alitse. Älä laita virtajohtoa maton alle. Älä laita virtajohdon päälle mitään esineitä.
- Varmista, ettei virtajohto roiku pöydän kulman yli. Varmista, ettei virtajohtoon voi vahingossa tarttua kiinni tai kompastua.
- Älä jätä laitetta ilman valvontaa virtajohdon ollessa liitettynä pistorasiaan.
- Älä vedä pistoketta irti pistorasiasta virtajohdosta vetämällä.
- Irrota pistoke pistorasiasta, kun laite ei ole käytössä, ennen asennusta tai purkamista ja ennen puhdistusta sekä huoltoa.

## Kuvaus (kuva. A)

Crosstrainer on paikallaan pysyvä kuntoilulaite, jota käytetään simuloimaan kävelyä tai juoksua ilman liiallista räsytystä tasoon.

## Pakkauksen sisältö (kuva. B & C)

- Pakkaus sisältää kuvassa B näytetyt osat.
- Pakkaus sisältää kuvassa C näytetyt kiinnittimet. Katso "Kuvaus"-osiota.



### ILMOITUS

- Jos osa puuttuu, ota yhteys jälleenmyyjään.

## Kokoonpano (kuva. D)



### VAROITUS

- Kokoonpane laite esitetyssä järjestyksessä.
- Vähintään kahden henkilön on kannettava ja siirrettävä laitetta.



### HUOMAUTUS

- Sijoita laite kovalle, tasaiselle alustalle.
- Asettakaa laite suojalustalle lattiapinnan vaurioiden estämiseksi.
- Varaa vähintään 100 cm tilaa laitteen ympärille.



Katso piirroksista laitteen oikea asennus.

### ANMÄRKNING

- Spara verktygen som följer med denna produkt när monteringen är klar så att du kan använda dem för framtida servicearbeten.

## Harjoitukset

Harjoituksen on oltava sopivan kevyt, mutta pitkäkestoinen. Aerobic-harjoitus perustuu kehon maksimi hapenottokyvyn parantamiseen, mikä puolestaan parantaa kestävyyttä ja kuntotasoa. Harjoituksen aikana sinun tulisi hikoilla, mutta sinun ei tulisi hengästyä. Harjoittele vähintään kolme kertaa viikossa 30 minuuttia peruskuntotason saavuttamiseksi ja ylläpitämiseksi. Paranna kuntotasoasi lisäämällä harjoituskertojen määrää. On hyödyllistä yhdistää säännöllinen harjoitus terveelliseen dieettiin. Dieettiin sitoutuneen henkilön tulisi harjoitella päivittäin, ensi alkuun korkeintaan 30 minuuttia ja vähitellen lisäten päivittäinen harjoitusaika yhteen tuntiin. Aloita harjoituksesi hitaalla nopeudella ja pienellä vastuksella estääksesi liiallisen rasituksen sydän-verisuonijärjestelmään. Nopeutta ja vastusta voidaan vähitellen lisätä kuntotason parantuessa. Harjoituksesi tehokkuus voidaan mitata seuraamalla sydämesi lyöntinopeutta ja pulssisi nopeutta.

Lisää nopeutta ja vastusta vähitellen oman kuntosi mukaan. Pidä pää pystyssä ja kaula suorana välttääksesi stressiä kaulassa, hartioissa ja selässä. Pidä selkäsi suorana. Varmista, että jalkasi ovat keskellä polkimia ja että lantio, polvet, nilkat ja varpaat ovat suoraan eteenpäin. Pidä painosi alaruumiin yläpuolella, huolimatta siitä, nojaatko eteenpäin vai seisotko suorana. Lopeta harjoitusjaksosi vähentämällä nopeutta ja vastusta vähitellen. Muista venyttellä harjoittelun lopuksi.

## Ohjeita harjoittelua varten

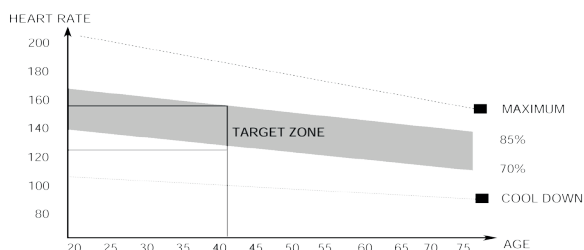
Kuntolaitteen käyttö tarjoaa monia etuja: se parantaa fyysistä kuntoa, kiinteyttää lihaksia ja hallittuun ruokavalion yhdistettynä se auttaa myös pudottamaan painoa.

### Lämmittelyvaihe

Tämän vaiheen tarkoituksena on saada veri virtaamaan nopeammin ympäri kehoa ja panna lihakset tekemään työtä. Lämmittely vähentää myös krampmien ja lihasvammojen riskiä. Suosittelemme, että teet muutaman venyttelyharjoituksen alla olevan kuvan mukaisesti. Jokaisen venytyksen tulisi kestää noin 30 sekuntia. Älä tee venytyksiä väkisin tai nykäisten - jos tunnet kipua, LOPETA.

### Harjoitteluvaihe

Tämä on se vaihe, jossa ponnistat. Säännöllisen harjoittelun tuloksena jalkojesi lihakset tulevat joustavammiksi. Tässä vaiheessa on hyvin tärkeää ylläpitää tasaista nopeutta koko ajan. Rasituksen tulisi olla riittävän suuri, jotta sykkeesi nousee tavoitealueelle alla olevan kaavion mukaisesti



Tämän vaiheen tulisi kestää vähintään 12 minuuttia, mutta useimmilla aloittelijoilla se on noin 15-20 minuuttia.

### Jäähdyttelyvaihe

Tämän vaiheen tarkoituksena on antaa verenkiertojärjestelmäsi ja lihaksiesi palautua. Jäähdyttelyssä toistetaan lämmittelyvaiheen harjoitukset vähentämällä ensin nopeutta ja jatkamalla tällä nopeudella noin 5 minuuttia. Toista sitten venyttelyharjoitukset pitäen mielessä, että venytyksiä ei saa tehdä väkisin tai nykäisten. Kun kuntosi nousee, voit tarvita pidempiä ja raskaampia harjoituksia. On suositeltavaa treenata vähintään kolme kertaa viikossa, ja harjoittelut olisi hyvä jakaa tasaisesti viikon varrelle.

## Lihasten kiinteytys

Jos tavoitteenasi on lihasten kiinteytys, sinun pitää asettaa vastus suureksi. Silloin jalkojesi lihakset rasittuvat enemmän, etkä ehkä pysty treenaamaan niin pitkään kuin haluaisit. Jos tavoitteenasi on myös kunnan kohentaminen, sinun pitää muuttaa harjoitteluohjelmaasi. Harjoittele lämmittely- ja jäähdyttelyvaiheissa normaalisti, mutta lisää vastusta harjoitteluvaiheessa, jotta jalkasi joutuvat tekemään enemmän työtä. Vähennä tarvittaessa nopeutta, jotta sykkeesi pysyy tavoitealueella.

## Painon pudotus

Ratkaisevaa on se, miten rasittavaa harjoittelu on. Mitä enemmän ja mitä pidempään harjoittelet, sitä enemmän poltat kaloreita. Vaikutus on sama kuin jos harjoittelisit kunnan kohentamiseksi, vaikka tavoite on nyt toinen.

## Syke

### Pulssinopeuden mittaus (käsipulssianturit)

Pulssinopeus mitataan käsitukiäntureilla käyttäjän koskettaessa kumpaakin anturia samanaikaisesti. Pulssi saadaan mitattua mahdollisimman tarkasti, kun iho on hieman kostea ja se koskettaa koko ajan käsipulssiantureita. Jos iho on liian kuiva tai liian kostea, pulssinopeuden mittaus voi olla epätarkempi.



#### ILMOITUS

- Älä käytä käsipulssiantureita yhdessä sykevyön kanssa.
- Jos asetat rajan sydämen lyöntinopeudelle, rajan ylittyessä kuuluu äänihälytys.

### Sykkeen mittaus (sykevyö)

Tarkin sydämen lyöntinopeus saadaan sykevyöllä. Sykemittaus tapahtuu käyttöliittymän sykevastaanottimen ja sykevyön lähettimen avulla. Tarkka sydänmittaus edellyttää lähettinyön elektrodien olevan hieman kosteita ja jatkuvassa kosketuksessa ihoon. Jos elektrodit ovat liian kuivia tai liian kosteita, sykkeen mittaus voi olla epätarkempi.



#### VAROITUS

- Jos sinulla on sydäntahdistin, ota yhteys lääkäriin ennen sykevyön käyttöä.



#### HUOMAUTUS

- Jos useita sykemittauslaitteita on vierekkäin, varmista, että niiden keskinäinen etäisyys on vähintään 2 metriä.
- Varmistu, että laitteen sykevastaanottimen ja sykevyön lähettimen kantomatkan sisällä ei ole muita lähettämiä, jotka voisivat aiheuttaa häiriöitä mittauksessa.

**ILMOITUS**

- Älä käytä sykevyötä yhdessä käsipulssiantureiden kanssa.
- Pidä aina sykevyötä vaatteitasi alla suorassa kosketuksessa ihoosi. Älä pidä sykevyötä vaatteitasi päällä. Jos pidät sykevyötä vaatteitasi päällä, signaalia ei ole.
- Jos asetat rajan sydämen lyöntinopeudelle, rajan ylityessä kuuluu äänihälytys.
- Lähetin lähettää sykkeen korkeintaan 1,5 metrin etäisyydellä olevaan ohjauspaneeliin. Jos elektrodit eivät ole kosteita, sydämen lyöntinopeus ei tule näytölle.
- Jotkin vaatteiden kuidut (esim. polyesteri, polyamidi) synnyttävät staattista sähköä, mikä voi estää tarkan sydämen lyöntinopeuden mittauksen.
- Matkapuhelimet, televisiot ja muut sähkölaitteet luovat sähkömagneettisen kentän, joka voi estää tarkan sydämen lyöntinopeuden mittauksen.

**Suurin sallittu sydämen lyöntinopeus (harjoituksen aikana)**

Suurin sallittu sydämen lyöntinopeus on suurin lyöntinopeus, jonka henkilö voi turvallisesti saavuttaa harjoituksen rasituksella. Seuraavaa kaavaa käytetään laskemaan keskimääräinen suurin sallittu sydämen lyöntinopeus: 220 - IKÄ. Suurin sallittu sydämen lyöntinopeus vaihtelee henkilöstä toiseen.

**VAROITUS**

- Varmista, ettet ylitä sydämesi suurinta sallittua lyöntinopeutta harjoituksen aikana. Jos kuulut riskiryhmään, ota yhteys lääkäriin.

**Aloittelija  
50-60% suurimmasta sallitusta sydämen lyöntinopeudesta**

Sopiva aloittelijoille, painonvartijoille, toipilaille, ja henkilöille, jotka eivät ole harjoitelleet pitkään aikaan. Harjoittele vähintään kolme kertaa viikossa, 30 minuuttia kerrallaan.

**Edistynyt  
60-70% suurimmasta allitusta sydämen lyöntinopeudesta**

Sopiva henkilöille, jotka haluavat parantaa ja ylläpitää kuntoaan. Harjoittele vähintään kolme kertaa viikossa, 30 minuuttia kerrallaan..

**Ekspertti  
70-80 % suurimmasta sallitusta sydämen lyöntinopeudesta**

Sopiva kunnoltaan erittäin hyvälle henkilöille, jotka ovat tottuneet pitkäkestosiin harjoituksiin.

## Käyttö

**Tukijalkojen säätäminen**

Laite on varustettu 4 tukijalalla. Tukijalkoja voidaan säätää, jos laite ei ole vakaa.

- Käännä tukijalkoja tarpeen mukaan, jotta laite on vakaasti lattialla.
- Lukitse tukijalat kiristämällä lukkomutterit.

**ILMOITUS**

Laite on vakain, kun kaikki tukijalat on kierretty täysin sisään. Tämän vuoksi, aloita laitteen säätäminen vaakasuoraan kiertämällä kaikki tukijalat ensin täysin sisään, ennen kuin kierrät tarvittavia jalkoja ulospäin laitteen saamiseksi vakaaksi.

**Istuimen säätö vaakasuunnassa**

Istuinta voidaan säätää vaakasuorassa asettamalla istuin haluttuun kohtaan.

- Löysää istuimen säätönappia.
- Siirrä istuin haluttuun kohtaan.
- Kiristä istuimen säätönappi.

**Istuimen säätö pystysuunnassa**

Istuinta voidaan säätää pystysuorassa asettamalla istuin haluttuun kohtaan. Jalka lähes suorana jalkaholvin on kosketettava jalkapoljinta sen alimmassa pisteessä.

- Löysää istuinputken säätönappia.
- Siirrä istuinputki haluttuun kohtaan.
- Kiristä istuinputken säätönappi.

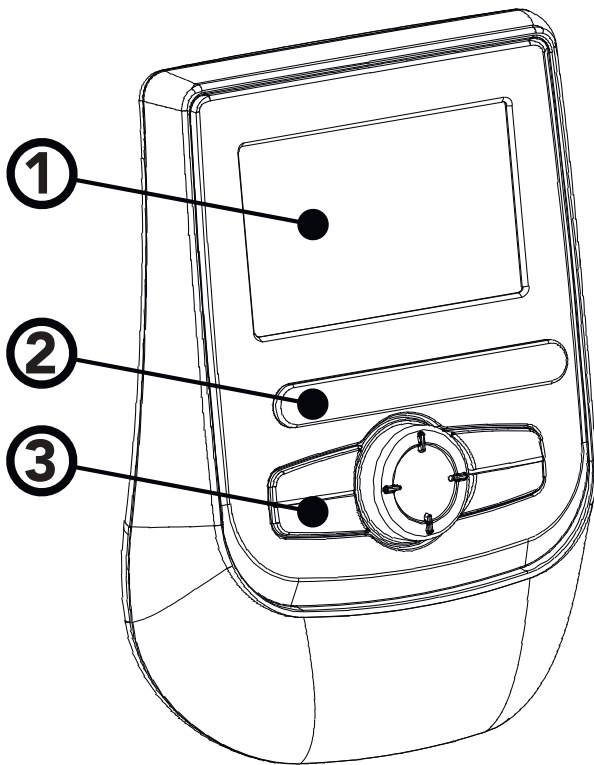
**virtalähde (kuva. E)**

VirtalähdeKuntolaitteessa on ulkoinen virtalähde. Katso oheisesta kuvasta, missä kuntolaitteesi virtapiste sijaitsee.

**ILMOITUS**

- Kiinnitä muuntaja laitteeseen ennen kuin yhdistät sen pistorasiaan.
- Irrota virtajohto seinästä aina kun laitetta ei käytetä.

## Ohjauspaneeli (kuva F)



1. Näyttö
2. taulu/ kirja teline
3. painikkeet



### HUOMAUTUS

- – Pidä ohjauspaneeli pois suorasta auringonvalosta.
- – Kuivaa ohjauspaneelin pinta, jos siihen on tippunut hikeä.
- – Älä nojaa ohjauspaneeliin.
- – Kosketa näyttöä vain sormenpäälläsi. Älä kosketa näyttöä kynsilläsi tai terävillä esineillä.



### ILMOITUS

- – Ohjauspaneeli siirtyä valmiustilaan, kun laitetta ei ole käytetty 4 minuuttiin.

## Painikkeiden selitykset

### BACK/ STOP

- Siirry takaisin edelliseen näyttöön.
- Pysäytä harjoitus.

### QUICK START

- Aloita harjoittelu ilman asetuksia. Kaikki harjoittelutiedot lasketaan eteenpäin.

### MAIN MENU

- Se siirtyä takaisin päävalikkoon.
- Harjoittelun aikana asettaa konsolin tilaan "Harjoituksen päättäminen".

## USER SETTING

- Siirry käyttäjäasetuksiin.
- Ei käytettävissä harjoituksen aikana.

## MODE/ ENTER

### Pyöritystoiminnot

- Harjoituksen valinta päävalikossa.
- Käyttäjäasetusten valinnat.
- Harjoitusprofiilin valinta asetusvalikossa.
- Kasvata tai pienennä asetettavaa arvoa.
- Harjoitustavoitteen säätäminen (kasvattaminen/ pienentäminen) harjoituksen aikana.
- T-Ride™ ja T-Road –harjoituksen aikana ylös/alas-säädöt.

### Horizontaalinen valinta

Pyöritä myötäpäivään siirtäksesi vaihtoehtoissa oikealle; pyöritä vastapäivään siirtäksesi vaihtoehtoissa vasemmalle.

### Vertikaalinen valinta

Pyöritä myötäpäivään kasvattaaksesi asetettavaa arvoa; pyöritä vastapäivään pienentääksesi sitä.

## Painiketoiminnot

- Harjoitusvalinnan vahvistus.
- Käyttäjäasetuksen vahvistus.
- Harjoitusprofiilin vahvistus asetusvalikossa.
- Asetettavan arvon vahvistus.
- Näyttöjen välillä siirtyminen harjoituksen aikana: bpm-Nm tai bpm-W.
- Näyttöjen välillä siirtyminen
- T-Ride™:n aikana: bpm-m tai bpm-ft.
- Näyttöjen välillä siirtyminen T-Road:n aikana: video-profiili.
- Siirtyminen seuraavaan tutoriaaliin T-Trainer™:n aikana.

## Ulkoiset liitännät

### USB Liitäntä

USB-porttia voidaan käyttää seuraaviin kohteisiin:

- USB-latauspiste.
- Palveluihin, kuten ohjelmistopäivityksiin.



### ILMOITUS

- USB ei saa olla muotoa NTFS.

## Toiminta

### Laitteen kytkeminen päälle

- Voit aktivoida virransäätötilassa olevan konsolin painamalla mitä tahansa näppäintä.

Kun konsoli käynnistyy, sovellus latautumis ruutuun näytetään (fig. F01)

Kun sovellus on valmis käytettäväksi, päävalikko avautuu näyttöön. (fig. F-02).

Nyt voit ohjelmoida haluamasi harjoituksen tai aloittaa treenin saman tien pika-aloituksella.

## Ohjelma

### Pika-aloitus

- Pyöritä ohjelmavalitsinta ja valitse "Pika-aloitus"
- Painamalla ohjelmavalitsimesta vahvistaaksesi valinnan ja etenet saman tien harjoitusnäytölle.

(fig. F-03)

X-akseli esittää aikaa minuutteina 0 – 30.

- Painamalla ohjelmavalitsimesta harjoituksen aikana voit vaihtaa Y-akselia: Nm - bpm.
- Pylväsdiagrammi esittää vääntömomentin arvon Newton-metreinä (Nm). Pyöritä ohjelmavalitsinta säätääksesi Nm-arvoa.
- Valkoinen katkoviiva osoittaa harjoituksen nykytilan ja liikkuu oikealle harjoituksen edetessä. Harjoitusnäyttö voi näyttää tiedot enintään viiden tunnin ajalta.

### Harjoituksen päättäminen

Kun käyttäjä painaa takaisin/stop/päävalikko-painiketta, hän siirtyy harjoituksen päättymisestä ilmoittavalle näytölle. Sama näyttö näkyy myös, kun harjoitus ja valkoinen katkoviiva saavuttavat harjoitustavoitteen. (Fig. F-04)

Valitse "Jatka" Continue) palataksesi harjoitukseen.

Valitse "Lopeta" (Exit) lopettaaksesi harjoituksen ja siirtyäksesi viimeiselle harjoitusnäytölle.

Valitse "tallenna ja lopeta" (Save&Exit) tallentaaksesi harjoituksen. Anna harjoitukselle nimi: pyöritä ohjelmavalitsinta valitaksesi A–Z tai 0–9 . Harjoituksen tiedot ja nimi tallentuvat uudeksi harjoitustilaksi.

Harjoituksen tiedot näkyvät viimeisellä harjoitusnäytöllä

### Harjoituksen tiedot (fig. F-05)

Paina säätöpyörää palataksesi päävalikkoon

### Vakiosyke

- Pyöritä ohjelmavalitsinta ja valitse "Vakiosyke"
- Painamalla ohjelmavalitsimesta vahvistaaksesi valinnan ja etenet saman tien harjoitusnäytölle. (Fig. F-06)

- Pyöritä ohjelmavalitsinta asettaaksesi tavoitesykkeen. (Prosenttiosuus vaihtelee bpm-arvon mukaan.)
- Paina ohjelmavalitsinta vahvistaaksesi valinnan ja edetäksesi Asetusnäyttöön 2. (Fig F-07)
- Pyöritä ohjelmavalitsinta valitaksesi asetusten välillä.
- Paina ohjelmavalitsinta vahvistaaksesi valinnan ja edetäksesi arvon asettamiseen.
- Pyöritä ohjelmavalitsinta vaihtaaksesi arvoa.
- Paina ohjelmavalitsinta vahvistaaksesi valinnan ja edetäksesi harjoitusnäytölle. (Fig. F-08)

X-akseli esittää valinnasta riippuen Energiaa/Aikaa/ Matkaa.

Energian yksikkö	kcal	
Ajan yksikkö	min	
Matkan yksikkö	km	(Metrijärjestelmässä)
	mailit	(UK-järjestelmässä)

- Voit vaihtaa Y-akselin W- bpm harjoituksen aikana painamalla ohjelmavalitsimesta.
- Pylväsdiagrammi esittää tavoitesykettä. Käännä ohjelmavalitsimesta säätääksesi tavoitesykearvoa.
- Valkoinen katkoviiva osoittaa harjoituksen nykytilan ja liikkuu oikealle kun kalorit/aika/matka kasvaa.
- Sininen käytä esittää todellisen Watt-arvon.
- Ohjelma avustaa tavoitteen saavuttamisessa seuraten tavoitesykettä harjoituksen aikana. Kun todellinen syke on tavoitesykettä korkeampi, ohjelma pienentää Watt-arvoa. Kun taas syke on tavoitesykkeen alapuolella, ohjelma kasvattaa vastusta.
- Viesti: "No Heart Rate" (Ei sykettä) näkyy, jos käyttäjän sykettä ei havaita harjoituksen aikana.

Lopettaaksesi harjoituksen katso: "Harjoituksen päättäminen".

### Manuaali

- Pyöritä ohjelmavalitsinta ja valitse "Manuaali" (Manual)
- Painamalla ohjelmavalitsimesta vahvistaaksesi valinnan ja etenet saman tien harjoitusnäytölle. (Fig. F-09)
- Pyöritä ohjelmavalitsinta valitaksesi asetusten välillä.
- Paina ohjelmavalitsinta vahvistaaksesi valinnan ja edetäksesi arvon asettamiseen.
- Pyöritä ohjelmavalitsinta vaihtaaksesi arvoa.
- Paina ohjelmavalitsinta vahvistaaksesi valinnan ja edetäksesi harjoitusnäytölle. (Fig. F-03)

X-akseli esittää valinnasta riippuen Energiaa/Aikaa/ Matkaa.

Energian yksikkö	kcal	
Ajan yksikkö	min	
Matkan yksikkö	km	(Metrijärjestelmässä)
	mailit	(UK-järjestelmässä)

- Voit vaihtaa Y-akselin W- bpm harjoituksen aikana painamalla ohjelmavalitsimesta.
- Pylväsdiagrammi esittää tavoitesykettä. Käänä ohjelmavalitsimesta säätääksesi tavoitesykearvoa.
- Valkoinen katkoviiva osoittaa harjoituksen nykytilan ja liikkuu oikealle kun kalorit/aika/matka kasvaa.

Lopettaaksesi harjoituksen katso:  
"Harjoituksen päättäminen".

## Vakioteho

- Pyöritä ohjelmavalitsinta ja valitse "Vakioteho" (Watt Constant)
- Painamalla ohjelmavalitsimesta vahvistaaksesi valinnan ja etenet saman tien harjoitusnäytölle (Fig.F-10).
- Pyöritä ohjelmavalitsinta säätääksesi tavoitevastusta (Watt).
- Paina ohjelmavalitsimesta vahvistaaksesi valinnan ja edetäksesi Asetusnäyttöön 2 (Fig. F-11)
- Pyöritä ohjelmavalitsinta valitaksesi asetusten välillä.
- Paina ohjelmavalitsinta vahvistaaksesi valinnan ja edetäksesi arvon asettamiseen.
- Pyöritä ohjelmavalitsinta vaihtaaksesi arvoa.
- Paina ohjelmavalitsinta vahvistaaksesi valinnan ja edetäksesi harjoitusnäytölle. (Fig. F-12)

X-akseli esittää valinnasta riippuen Energiaa/Aikaa/  
Matkaa.

Energian yksikkö	kcal	
Ajan yksikkö	min	
Matkan yksikkö	km	(Metrijärjestelmässä)
	mailit	(UK-järjestelmässä)

- Painamalla ohjelmavalitsimesta harjoituksen aikana voit vaihtaa Y-akselia: Nm - bpm.
- Pylväsdiagrammi esittää vastuksen (Watt). Pyöritä ohjelmavalitsinta säätääksesi Watt-arvoa.
- Valkoinen katkoviiva osoittaa harjoituksen nykytilan ja liikkuu oikealle harjoituksen edetessä. Harjoitusnäyttö voi näyttää tiedot enintään viiden tunnin ajalta.
- Ohjelma avustaa tavoitteen saavuttamisessa seuraten tavoitevastusta harjoituksen aikana. Kun todellinen vastus on tavoitevastusta korkeampi, ohjelma pienentää Watt-arvoa. Kun taas vastus on tavoitevastuksen alapuolella, ohjelma kasvattaa vastusta.

Lopettaaksesi harjoituksen katso:  
"Harjoituksen päättäminen".

## T-Ride

- Pyöritä ohjelmavalitsinta ja valitse "T-Ride"
- Painamalla ohjelmavalitsimesta vahvistaaksesi valinnan ja etenet saman tien harjoitusnäytölle. (Fig F-13).
- Pyöritä ohjelmavalitsinta valitaksesi seuraavien välillä: Ylös ja alas, Reitti, Lyhyt kierros, Marathooni, Kevyt harjoitus. (Top and Down - Trail - Easy Ride - Marathon - Short Loop.)
- Paina ohjelmavalitsimesta vahvistaaksesi valinnan ja edetäksesi asetusnäyttöön 2 (Fig. F-14)
- Aseta harjoituksen aloituspiste: pyöritä ohjelmavalitsinta säätääksesi valkoista katkoviivaa. Paina ohjelmavalitsimesta vahvistaaksesi valinnan.
- Aseta harjoituksen päätepiste: pyöritä ohjelmavalitsinta säätääksesi valkoista katkoviivaa. Paina ohjelmavalitsimesta vahvistaaksesi valinnan ja edetäksesi harjoitusnäytölle. (Fig. F-15)

X-akseli esittää matkaa. Mittayksikkönä kilometrit tai mailit.

- Painamalla ohjelmavalitsimesta harjoituksen aikana voit vaihtaa Y-akselia: m- bpm tai ft-bpm.
- Valkoinen katkoviiva osoittaa harjoituksen nykytilan ja liikkuu oikealle harjoituksen edetessä.
- Näytön oikealla näkyy vastus: 1 – 8. Pyöritä ohjelmavalitsinta säätääksesi.
- Valkoinen kuva + 0° näytön alavasemmalla osoittaa kallistuskulman, joka vaihtelee harjoituksen mukaan.
- Viimeinen harjoitusnäyttö näyttää yhteenvedon harjoituksesta. Paina ohjelmavalitsimesta palataksesi päävalikkoon

Lopettaaksesi harjoituksen katso:  
"Harjoituksen päättäminen".

## Valmisohjelmat

- Pyöritä ohjelmavalitsinta ja valitse "Valmisohjelmat" (Preset programs)
- Painamalla ohjelmavalitsimesta vahvistaaksesi valinnan ja etenet saman tien harjoitusnäytölle.. (Fig. F-16).
- Pyöritä ohjelmavalitsinta valitaksesi seuraavien väliltä:
- Vakioteho: Kumpumaasto, Mäkinousu, Murtomaa, Kestävyys, Tehointervalli (Rolling Hills - Hill Climb - Cross Country - Stamina - Power Interval) ja
- Vakiosyke: Rasvanpoltto 1, Rasvanpoltto 2, Kestävyysvoima, Ylämäki, Sykeintervalli. (fat burner 1/ fat burner 2/ cardio strength/ cardio climb/ cardio interval) Paina ohjelmavalitsimesta vahvistaaksesi valinnan ja edetäksesi Asetusnäyttöön 2 (Fig. F-17)

- Pyöritä ohjelmavalitsinta valitaksesi asetusten välillä.
- Paina ohjelmavalitsimesta vahvistaaksesi valinnan ja edetäksesi arvon asettamiseen.
- Pyöritä ohjelmavalitsinta vaihtaaksesi arvoja.
- Paina ohjelmavalitsimesta vahvistaaksesi valinnan ja edetäksesi harjoitusnäytölle. (Fig F-18)

**HUOM****Harjoitusnäyttö:**

Harjoitusnäyttö riippuu valitsemastasi harjoitustilasta.

Nm manuaalinen:

Harjoitusnäyttö on sama kuin manuaalisessa tilassa.

Vakioteho:

Harjoitusnäyttö on sama kuin esiasetettujen ohjelmien tehotila.

Tavoitesyke:

Harjoitusnäyttö on sama kuin esiasetettujen ohjelmien syketila.

Lopettaaksesi harjoituksen katso:

"Harjoituksen päättäminen".

## Omat ohjelmat

---

- Pyöritä ohjelmavalitsinta ja valitse "Omat ohjelmat" (Own trainings)
- Painamalla ohjelmavalitsimesta vahvistaaksesi valinnan ja etenet saman tien harjoitusnäytölle (Fig. F-20)

**HUOM**

- Kun tallennettuja omia harjoituksia ei ole, näytössä näkyy alla oleva teksti. (fig. F-19)
- Paina ohjelmavalitsimesta palataksesi päävalikkoon..
- Asetusnäyttö 1 on käyttäjän tallennetuille tiedoille ja harjoituksille. Nämä näkyvät näytön oikeassa ja vasemmassa reunassa.
- Pyöritä ohjelmavalitsinta selataksesi harjoituksia.
- Paina ohjelmavalitsinta vahvistaaksesi valinnan ja edetäksesi valikkoon.(Fig. F-21)
- Pyöritä ohjelmavalitsinta ja valitse toiminto (Fig. F-22)

**Valitse Toista (Replay)**

- Paina ohjelmavalitsimesta vahvistaaksesi valinnan. Etenet harjoitusnäyttöön ja aloitat aiemmin tallentamasi harjoituksen.

**Valitse Muokkaa (Edit)**

- Paina ohjelmavalitsimesta vahvistaaksesi valinnan.
- Muokkaa ja hyväksy arvot.
- Paina ohjelmavalitsinta vahvistaaksesi valinnat ja edetäksesi harjoitusnäytölle.

**Valitse Delete (Poista)**

- Pyöritä ohjelmavalitsinta valitaksesi ohjelman poiston.
- Paina ohjelmavalitsinta vahvistaaksesi valinnan.
- Valitse "Kyllä" (Yes) poistaaksesi harjoituksen tai "Ei" (No), jos haluat peruuttaa poiston. (Fig. F23)
- Paina ohjelmavalitsinta vahvistaaksesi.

## Kuntotesti

---

- Pyöritä ohjelmavalitsinta ja valitse "Kuntotesti" (Fitness test)
- Painamalla ohjelmavalitsimesta vahvistaaksesi valinnan ja etenet saman tien harjoitusnäytölle.

**HUOM**

- Käyttöliittymä tarvitsee käyttäjän tiedot kuntotestiä varten. Jos tietoja ei ole syötetty, kuntotesti ei käynnisty. Tässä tapauksessa alla oleva teksti tulee näytöön. ( Fig. F-24)
- Paina ohjelmavalitsimesta palataksesi päävalikkoon.
- Pyöritä ohjelmavalitsinta valitaksesi käyttäjätyypin: Kuntoilija, Urheilija, Vähän Liikkuva. Inactive/ Active/ Athletic (Fig. F-25)
- Paina ohjelmavalitsinta vahvistaaksesi valinnan ja edetäksesi Asetusnäyttöön (2) (Fig F-26)
- Pyöritä ohjelmavalitsinta asettaaksesi tavoitesykkeen VO2-testiin. (Arvo on väliltä 68 – 220 bpm.) Oletusarvo on 85% maksimisykkeestä. Myös maksimisyke (bpm) ja käyttäjän paino (kg) näkyvät näytöllä.
- Paina ohjelmavalitsimesta vahvistaaksesi valinnan ja edetäksesi info-näytölle (Fig. F-27)
- Paina ohjelmavalitsimesta vahvistaaksesi valinnan ja edetäksesi harjoitusikkunaan.

*Harjoitusnäyttö*

*Harjoitusnäyttö on sama kuin esiasetettujen ohjelmien syketila.*

Näytöllä näkyy

**"Test Failed"! (Testi epäonnistui)**

- Harjoitus on kestoltaan liian lyhyt.
- RPM arvo on liian matala.
- Tavoitesykearvoa ei ole saavutettu.
- Syke on pienempi kuin 110 bpm.



### “No Heart Rate detected” (Sykettä ei havaittu)

- Laite ei havaitse käyttäjän sykettä.

Paina Back/stop tai päävalikkopainiketta poistuaksesi harjoitusnäytöltä.

### “Target HR reached! Stop test or Continue” (Tavoitesyke saavutettu! Voit lopettaa testin)

- Käyttäjä on saavuttanut tavoitteen.
- Paina ohjelmavalitsinta lopettaaksesi testin ja nähdäksesi yhteenvedon. (Fig. F-28)  
Paina ohjelmavalitsinta edetäksesi VO2 Max – testituloksiin (Fig. F-29)
- Paina ohjelmavalitsinta palataksesi päävalikkoon

Lopettaaksesi harjoituksen katso: “Harjoituksen päättäminen”.

### VO2 Max –testitulostaulukko

Miehet/ Maksimaalinen hapenottokyky (VO2MAX)							
1 = Erittäin huono / 7 = Erinomainen							
Ikä	1	2	3	4	5	6	7
18-19	<33	33-38	39-44	45-51	52-57	58-63	>63
20-24	<32	32-37	38-43	44-50	51-56	57-62	>62
25-29	<31	31-35	36-42	43-48	49-53	54-59	>59
30-34	<29	29-34	35-40	41-45	46-51	52-56	>56
35-39	<28	28-32	33-38	39-43	44-48	49-54	>54
40-44	<26	26-31	32-35	36-41	42-46	47-51	>51
45-49	<25	25-29	30-34	35-39	40-43	44-48	>48
50-54	<24	24-27	28-32	33-36	37-41	42-46	>46
55-59	<22	22-26	27-30	31-34	35-39	40-43	>43
60-65	<21	21-24	25-28	29-32	33-36	37-40	>40

### Naiset/ Maksimaalinen hapenottokyky (VO2MAX)

1 = Erittäin huono / 7 = Erinomainen

Ikä	1	2	3	4	5	6	7
18-19	<28	28-32	33-37	38-42	43-47	48-52	>52
20-24	<27	27-31	32-36	37-41	42-46	47-51	>51
25-29	<26	26-30	31-35	36-40	41-44	45-49	>49
30-34	<25	25-29	30-33	34-37	38-42	43-46	>46
35-39	<24	24-27	28-31	32-35	36-40	41-44	>44
40-44	<22	22-25	26-29	30-33	34-37	38-41	>41
45-49	<21	21-23	24-27	28-31	32-35	36-38	>38
50-54	<19	19-22	23-25	26-29	30-32	33-36	>36
55-59	<18	18-20	21-23	24-27	28-30	31-33	>33
60-65	<16	16-18	19-21	22-24	25-27	28-30	>30

### T-Road

- Pyöritä ohjelmavalitsinta ja valitse “T-road”
- Painamalla ohjelmavalitsimesta vahvistaaksesi valinnan ja etenet saman tien harjoitusnäytölle.(Fig. F-30).

Ratavaihtoehtoja on kolme:

Tuscany Sandy Road/ Tuscany Scenery Road/ Tuscany Country Road.

- Pyöritä ohjelmavalitsinta ja valitse harjoitusrata.
- Paina ohjelmavalitsimesta vahvistaaksesi valinnan ja edetäksesi videonäytölle.
- Harjoituksen aikana voit siirtyä videonäytön (fig. F-31) Harjoituksen aikana voit siirtyä videonäytön (Fig. F-32).

### Harjoitusprofiilinäyttö:

- Valkoinen katkoviiva osoittaa harjoituksen nykytilan ja liikkuu oikealle harjoituksen edetessä.
- Oranssi käyrä esittää käyttäjän sydämensykettä ja vaihtelee sykkeen kiihtyessä ja laskiessa.

### Videonäyttö:

- Näytössä oikealla näkyy vastus: 1 – 8. Pyöritä ohjelmavalitsinta säätääksesi.
- Valkoinen kuva + 0° näytön alavasemmalla osoittaa kallistuskulman, joka vaihtelee harjoituksen mukaan.
- Poistuaksesi näytöltä, paina Back/stop, päävalikkopainiketta tai odota, että valkoinen katkoviiva saavuttaa harjoitustavoitteen

Lopettaaksesi harjoituksen katso: “Harjoituksen päättäminen”.

## T-Trainer



HUOM

Tämä toiminto on vain cross trainer -malleissa.

- Pyöritä ohjelmavalitsinta ja valitse T-Trainer.
- Painamalla ohjelmavalitsimesta vahvistat valinnan ja etenet harjoitusnäytölle. Harjoitus alkaa Free Ride -intervallilla.

### Harjoitusnäyttö.

- Näyttää harjoitustilan 10 sekunnin ajan ja siirtyy sitten harjoitukseen.
- Harjoitustiloja on kuusi: Arm Push/ Arm Pull/ Forward Pedal/ Backward Pedal/ Forward Lean/ Squat.
- Harjoitustilojen välissä on minuutin mittainen Free Ride -intervalli. (Fig. F-36)
- Näytöllä näkyvä viesti: "Slow down" (Hidasta)/ "Speed up" (Kiihdytä)/ "Speed ok" (Nopeus ok) ilmoittaa käyttäjälle, onko nopeus sopiva vai tuleeko vauhtia kasvattaa tai pienentää.
- Ohjelmavalitsinta painamalla käyttäjä siirtyy seuraavaan harjoitustilaan eikä palauteviestiä tule näkyviin.
- X-akseli esittää aikaa minuutteina 0 – 30.
- Y-akselin yksikkö on Nm.
- Pylväsdiagrammi esittää vääntömomentin arvon Newton-metreinä (Nm). Pyöritä ohjelmavalitsinta säätääksesi Nm-arvoa.
- Valkoinen katkoviiva osoittaa harjoituksen nykytilan ja liikkuu oikealle harjoituksen edetessä. Harjoitusnäyttö voi näyttää tiedot enintään viiden tunnin ajalta.
- Oranssi käyrä esittää käyttäjän sydämensykeä ja vaihtelee sykkeen kiihtyessä ja laskiessa.
- Näytön oikea yläkulma esittää, kauan harjoitustilaa on jäljellä. Laskenta alkaa alusta seuraavaan harjoitustilaan siirryttäessä.
- Näytön vasen alakulma esittää viestin: "Slow down"/ "Speed up"/ "Speed ok", jotta käyttäjä tietää kasvattaa tai pienentää nopeutta.
- Paina takaisin/stop/päävalikko-painiketta poistuaksesi harjoitusnäytöltä

Harjoitustila-näyttö. (Fig. 37)

Lopettaaksesi harjoituksen katso: "Harjoituksen päättäminen".

## Käyttjäasetukset

Paina "User/Settings" edetäksesi käyttjäasetusten päävalikkoon

- Pyöritä ohjelmavalitsinta valitaksesi kuuden alavalikon väliltä.
- Paina ohjelmavalitsimesta vahvistaaksesi valinnan alavalikosta, johon haluat edetä.

### Käyttäjälöki

Käyttäjälöki -alavalikossa voit tarkastella käyttäjän harjoitushistoriaa: edellisen harjoituksen tietoja tai yhteenvetoa kaikista harjoituksista. (fig. F-33)

Valitsemalla BACK/STOP poistut harjoitushistoriasta.

### Muokkaa käyttäjä

"Muokkaa Käyttäjä"-alavalikossa voit:

- Adjust the brightness (Default=50%)
- Säätää näytön kirkkautta (oletus= 50%).
- Tarkistaa laitteen kokonaiskäytön: matka.
- Tarkistaa laitteen kokonaiskäytön: aika.
- Tarkistaa laitteen ohjelmistoversion.
- Valita käyttökielen.
- Säätää näppäinäännet päälle (YES) tai pois päältä (NO).

Käyttjäasetukset-näyttö (Fig. F-35)

### Asetusten muuttaminen.

- Pyöritä ohjelmavalitsinta valitaksesi muokattavan asetuksen.
- Paina ohjelmavalitsimesta avataksesi ja muokataksesi valittua asetusta.
- Pyöritä ohjelmavalitsinta muuttaaksesi asetusta.
- Paina ohjelmavalitsimesta vahvistaaksesi valinnan.
- Pyöritä ohjelmavalitsinta valitaksesi seuraavan muokattavan asetuksen tai paina Back/Stop palataksesi päävalikkoon.

### Muokkaa Käyttäjää

"Edit User"-alavalikossa voit muokata: (Fig. F-34)

### Käyttäjän nimi

- Pyöritä ohjelmavalitsinta ja valitse Name.
- Paina ohjelmavalitsimesta muokataksesi nimeä.
- Pyöritä ohjelmavalitsinta valitaksesi ensimmäisen kirjaimen.

- Paina ohjelmavalitsimesta vahvistaaksesi valinnan.
- Pyöritä ohjelmavalitsimesta valitaksesi seuraavan kirjaimen.
- Kun nimi on syötetty, valitse “√” vahvistaaksesi nimen ja palataksesi Edit User -valikkoon.

### Näytön mittayksiköt

- Pyöritä ohjelmavalitsinta ja valitse Units.
- Paina ohjelmavalitsimesta avataksesi ja muokataksesi mittayksikköä.
- Pyöritä ohjelmavalitsinta valitaksesi Metric (metrijärjestelmä): km/kph/kcal tai Imperial (UK): mile/mph/kcal.
- Paina ohjelmavalitsinta vahvistaaksesi mittayksikkövalinnan ja palataksesi Edit User -valikkoon.

### Näyttö

- Pyöritä ohjelmavalitsinta ja valitse Display.
- Paina ohjelmavalitsimesta avataksesi ja muokataksesi näyttöasetuksia.
- Pyöritä ohjelmavalitsinta valitaksesi Count up: laskenta nollassa kohti asetettua aikaa/matkaa tai Count down: laskenta alaspäin asetetusta ajasta/matkasta.
- Paina ohjelmavalitsinta vahvistaaksesi valinnan ja palataksesi Edit User -valikkoon.

### Sukupuoli

- Pyöritä ohjelmavalitsinta ja valitse Gender.
- Paina ohjelmavalitsinta avataksesi ja muokataksesi sukupuolivalintaa.
- Pyöritä ohjelmavalitsinta valitaksesi Male/ Female (Mies/ Nainen).
- Paina ohjelmavalitsinta vahvistaaksesi valinnan ja palataksesi Edit User -valikkoon.

### Ikä

- Pyöritä ohjelmavalitsinta ja valitse Age.
- Paina ohjelmavalitsinta muokataksesi ikää.
- Pyöritä ohjelmavalitsinta muuttaaksesi asetettua ikää.
- Paina ohjelmavalitsinta vahvistaaksesi valinnan ja palataksesi Edit User -valikkoon.

### Käyttäjän pituus

- Pyöritä ohjelmavalitsinta ja valitse Height.
- Paina ohjelmavalitsinta muokataksesi pituutta.
- Pyöritä ohjelmavalitsinta muuttaaksesi asetettua pituutta: cm metrijärjestelmässä, ft UK-järjestelmässä.
- Paina ohjelmavalitsinta vahvistaaksesi pituusvalinnan ja palataksesi Edit User -valikkoon.

### Maksimisyke

- Pyöritä ohjelmavalitsinta ja valitse Max HR.
- Paina ohjelmavalitsinta avataksesi ja muokataksesi maksimisykettä.
- Pyöritä ohjelmavalitsinta muuttaaksesi maksimisykkeen oletusarvoa, joka on: Miehellä: 220-ikä Naisella: 226-ikä

- Paina ohjelmavalitsinta vahvistaaksesi valinnan ja palataksesi Edit User -valikkoon.

### Poista käyttäjä

Delete User-alavalikossa voit, poistaa käyttäjän ja kaikki käyttäjätiedot.

- Valitse poistettava käyttäjätili kääntämällä ohjelmavalitsimesta.
- Paina ohjelmavalitsinta poistaaksesi valitun käyttäjätilin ja palataksesi asetusvalikkoon.



#### HUOM

- Laite poistaa käyttäjätilin ilman lisäkysymyksiä tai -varoituksia.

### Vaihda käyttäjä

Change User -alavalikossa voit: Vaihtaa toiseen käyttäjäprofiiliin

- Pyöritä ohjelmavalitsinta valitaksesi haluamasi profiilin.
- Paina ohjelmavalitsinta vahvistaaksesi profiilivalinnan ja palataksesi asetusvalikkoon.

### Luo käyttäjä

Create User -alavalikossa voit luoda uuden käyttäjäprofiilin. Maksimi käyttäjäprofiileiden määrä on kahdeksan. Katso kohdasta Edit User, kuinka voit luoda uuden käyttäjäprofiilin.

### BT-tila (Bluetooth)

Valitse BT-tila valintapyörän painiketta pyörittämällä ja paina BT-tilan painiketta.

### BT-yhteys

Bluetooth-moduuli kytkeytyy päälle ja yhdistää automaattisesti BT-laitteen, kun laite on BT-tilan näytössä.

Poistu tältä sivulta painamalla valintapyörän painiketta tai Takaisin-painiketta, jolloin Bluetooth-moduuli kytkeytyy pois päältä.

## Puhdistus ja huolto

Laite ei vaadi erityishuoltoa. Laite ei vaadi uudelleenkalibrointia kokoonpanon, käytön ja ohjeiden mukaan suoritettua huollon jälkeen.



### VAROITUS

- Irrota adapteri ennen puhdistusta ja huoltoa.
  - Älä käytä liuottimia laitteen puhdistukseen.
- Puhdista laite pehmeällä, imukykyisellä kankaalla jokaisen käytön jälkeen.
  - Tarkista säännöllisesti kaikkien ruuvien ja mutterien olevan tiukasti kiinni.
  - Voitele nivelet tarvittaessa.

## Viat ja häiriöt

Huolimatta jatkuvasti laadunvarmistuksesta laitteessa voi tapahtua yksittäisen osan aiheuttamia vikoja ja häiriöitä. Useimmissa tapauksissa viallisen osan vaihtaminen on riittävää

- Jos laite ei toimi normaalisti, ota välittömästi yhteys jälleenmyyjään.
- Anna jälleenmyyjälle laitteen malli- ja sarjanumero. Kerro ongelman luonne, käyttöolosuhteet ja ostopäivä.

## Kuljetus ja säilytys



### VAROITUS

- Irrota adapteri ennen kuljetusta ja varastointia.
  - Vähintään kahden henkilön on kannettava ja siirrettävä laitetta.
- Seisokaa laitteen edessä sen kummallakin puolella ja tarttuka tiukasti kiinni käsitangoista. Nostakaa laitetta siten, että laitteen takapää on pyörillä. Siirtäkää laite ja laskekaa se varovasti alas. Asettakaa laite suojajalustalle lattiapinnan vaurioiden estämiseksi.
  - Siirrä laitetta varovasti epätasaisilla pinnoilla. Älä siirrä laitetta yläkertaan pyöriä käyttäen. Suorita siirto kahvatuista kantaen.
  - Säilytä laitetta kuivassa, mahdollisimman tasalämpötilaisessa paikassa.

## Lisätietoa laitteen omistajalle

### Pakkauksen hävittäminen

Lainsäädäntö ohjeistaa meitä vähentämään kaatopaikoille toimitetun jätteen määrää. Sen vuoksi pyydämme sinua toimittamaan kaikki pakkausjätteet sitä varten tarkoitettuun kierrätyspisteeseen.

### Laitteen hävittäminen käyttöiän päättyessä

Me Tunturilla toivomme, että iloitset kuntolaitteestasi vuosia. Jokainen kuntolaite tulee kuitenkin aikanaan oman käyttöikänsä loppuun. Kotitalouksien sähkö- ja elektroniikkalaiteromua käsittelevien eurooppalaisten määräysten (WEEE) mukaan sinun kuuluu toimittaa kuntolaitteesi sitä varten tarkoitettuun keräyspaikkaan.

## Tekniset tiedot

Parametri	Mittayksikkö	Arvo
Pituus	cm inch	146 57.5
Leveys	cm inch	67 26.4
Korkeus	cm inch	164 64.6
Paino	kg lbs	65.9 145
Suurin sallittu käyttäjän paino	kg lbs	135 300
Sovitin Jännite Virta	V Ma.	26V-DC 2.3 A

## Takuu

### Tunturi-kuntolaitteen omistajan takuu

#### Takuuehdot

Kuluttajalla on sovellettavan kulutustavaroiden kauppaa koskevan kansallisen lainsäädännön mukaiset lailliset oikeudet, eikä takuulla rajoiteta näitä oikeuksia. Omistajan Takuu on voimassa vain, mikäli laitetta käytetään Tunturi New Fitness BV:n kyseiselle laitteelle sallimassa käyttöympäristössä. Kunkin laitteen sallittu käyttöympäristö mainitaan laitteen käyttöohjeessa.

#### Takuuehdot

Takuuehdot tulevat voimaan tuotteen ostopäivästä lukien. Takuuehdot voivat olla erilaiset eri maissa, joten pyydä takuuehdot paikalliselta jälleenmyyjältä.

#### Takuun kattavuus

Missään olosuhteissa Tunturi New Fitness BV tai Tunturi-jälleenmyyjä ei vastaa ostajalle mahdollisesti aiheutuvista välillisistä vahingoista, kuten käyttöhyödyn tai tulojen menetyksestä taikka muista taloudellisista seurausvahingoista.

#### Takuun rajoitukset

Takuu kattaa työstä ja materiaalista johtuvat virheet kuntolaitteessa, joka on alkuperäisessä kokoonpanossaan.

Takuu koskee vain virheitä, jotka ilmenevät normaalissa ja laitteen mukana tulleen ohjekirjan mukaisessa käytössä edellyttäen, että Tunturin asennus-, huolto- ja käyttöohjeita on noudatettu. Tunturi New Fitness BV:n ja Tunturin jälleenmyyjät eivät vastaa virheistä, jotka aiheutuvat heidän vaikutusmahdollisuuksiensa ulkopuolella olevista seikoista. Takuu on voimassa vain niissä maissa, joissa Tunturi New Fitness BV:llä on valtuutettu maahantuojia. Takuu ei koske sellaisia kuntolaitteita tai osia, joita on muutettu ilman Tunturi New Fitness BV:n suostumusta. Takuu ei koske virheitä, jotka johtuvat luonnollisesta kulumisesta, virheellisestä käytöstä, käytöstä olosuhteissa, joihin kuntolaitetta ei ole tarkoitettu, korroosiosta tai lastaus- tai kuljetusvahingoista.

Takuu ei koske käyttööniä, jotka eivät olennaisesti haittaa laitteen käyttöä eivätkä johdu laitteessa olevasta virheestä.

Takuu ei myöskään sisällä kunnossapitotoimenpiteitä, kuten puhdistusta, voitelua tai sen osien normaalia tarkistamista, eikä sellaisia asennustoimenpiteitä, jotka asiakas voi suorittaa itse ja jotka eivät edellytä erityistä kuntolaitteen purkamista / kokeamista. Tällaisia toimenpiteitä ovat esim. mittareiden, polkimien tai muiden vastaavien yksinkertaisten osien vaihdot. Muun kuin valtuutetun Tunturi-edustajan suorittamia takuukorjauksia ei korvata. Laitteen käyttöohjeen noudattamatta jättäminen aiheuttaa takuun raukeamisen.

## Valmistajan vakuutus

Tunturi New Fitness BV vakuuttaa tuotteen täyttävän seuraavien standardien ja direktiivien vaatimukset: EN 957 (HB), 89/336/ETY. Tässä tuotteessa on sen vuoksi CE-merkki..

01-2017

Tunturi New Fitness BV  
Purmerweg 1  
1311 XE Almere  
Alankomaat

## Vastuuvapauslauseke

© 2017 Tunturi New Fitness BV  
Kaikki oikeudet pidätetään.

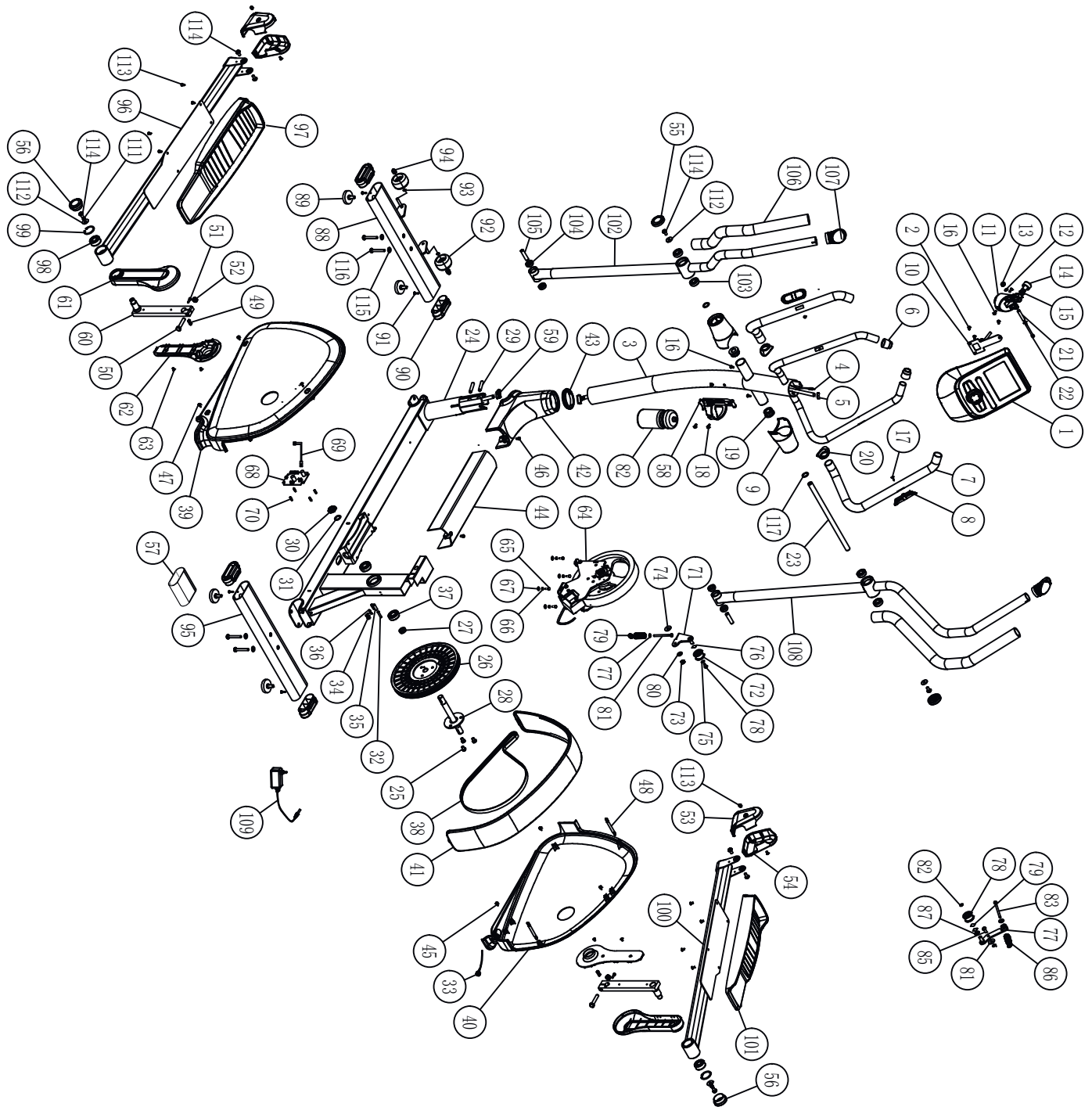
Tuote ja käyttöopas saattavat muuttua. Teknisiä tietoja saatetaan muuttaa ilman eri ilmoitusta.

No.	Description	QTY
1	Console	1
2	Cross head screw M5*10	3
3	Handlebar post	1
4	Hand pulse sensor wire	1
5	Cable wire, upper	1
6	End cap	2
7	Foam grip	2
8	Hand pulse sensor	2
9	Front post cover	2
10	Console bracket	1
11	Console bracket seat	1
12	Flat washer Ø6xØ13x1t	2
13	Nylon nut M6	1
14	Console locking knob	1
15	Fixed washer	1
16	Screw M5x14L	4
17	Screw M3.5x20L	2
18	Screw M5xP0.8x20L	2
19	Handlebar axle bushing	2
20	Handlebar cap	2
21	Bushing Ø6.0*Ø9.8*50L	2
22	Screw M6x60L	1
23	Handlebar fixed axle	1
24	Main frame	1
25	Hex. Screw M8xP1.25x12Lx5t	3
26	Driving pulley	1
27	Bushing Ø20.5xØ25x7.5mm	1
28	Axle	1
29	Locking screw	2
30	Nylon nut M20	1
31	Flat washer Ø20.3xØ30x1t	1

32	Sensor wire	1
33	DC wire	1
34	Screw M4xP1.5*16L	2
35	Sensor holder	1
36	Flat washer Ø5xØ10x1t	2
37	Bearing 6004RS	2
38	Driving belt	1
39	Side cover ( L )	1
40	Side cover ( R )	1
41	Top cover	1
42	Handlebar post cover	1
43	Ring for handlebar post	1
44	Cover of bottom tube	1
45	Screw M4x16	3
46	Flat washer Ø10xØ18x1t	2
47	Screw M5x16	3
48	Shaft of chain cover	2
49	Pin	2
50	Hex. screw M10xP1.5x50L	2
51	Hex. screw M5*P0.8*16L	2
52	Nylon nut M10	2
53	Pedal arm front cover, left	2
54	Pedal arm front cover, right	2
55	Cap for handlebar R/L	2
56	Cap for Pedal arm R/L	2
57	fixed tube of semi-bracket	2
58	Bottle holder	1
59	Cable wire, lower	1
60	Disc crank	2
61	Crank cap (outer)	2
62	Crank cap (Inner)	2
63	Screw M5x6L	4

64	EMS flywheel	1
65	Hex. screw M6xP1.0x20L	4
66	Spring washer Ø6*1.5T	4
67	Flat washer Ø6xØ13x1t	4
68	Control board	1
69	Connection wire (flywheel & control board)	1
70	Isolated bar	1
71	Belt tightener	1
72	Wheel for belt tightener	1
73	Nylon nut M8	1
74	Flat washer Ø8.5xØ25x1t	1
75	Flat washer Ø6xØ12x1t	1
76	Curved washer Ø10.5xØ15x0.3t	1
77	Flat washer Ø8.5xØ12x1t	1
78	Hex. screw M6x12L	1
79	Spring	1
80	Flat washer Ø10xØ14x1t	1
81	Hex. screw M6xP1.0x80L	1
82	Water bottle	1
88	Front foot	1
89	Adjusting cushion	4
90	End cap	4
91	Screw 3/16"x1/2"	4
92	Transportation wheel	2
93	C type	1
94	Acron Nut M8	2
95	Rear foot	1
96	Pedal arm left	1
97	Pedal, left	2
98	Bearing	2
99	Rubber band Ø40	2

100	Pedal arm, right	1
101	Pedal, right	1
102	Movable handlebar, left	1
103	Bearing 6003RS	4
104	Bearing 6001RS	4
105	Lower handlebar axle	2
106	Foam grip for moving handlebar	2
107	End cap for moving handlebar	2
108	Movable handlebar, right	1
109	Switching power 26V, 2.3A	1
111	Spring washer Ø8.1*Ø12.9*2.4T	2
112	Flat washer Ø8.5xØ25x2t	4
113	Screw M5xP0.8x10L	12
114	Screw M8xP1.25x16L	8
115	Flat washer Ø8xØ19x2t	4
116	Screw M8xP1.25x60L	4
117	Flat washer Ø17.5xØ25x1t	2













**Tunturi New Fitness BV**

Purmerweg 1 NL - 1311 XE Almere  
P.O. Box 60001 NL - 1320 AA Almere  
The Netherlands

[www.tunturi-fitness.com](http://www.tunturi-fitness.com)

20170214