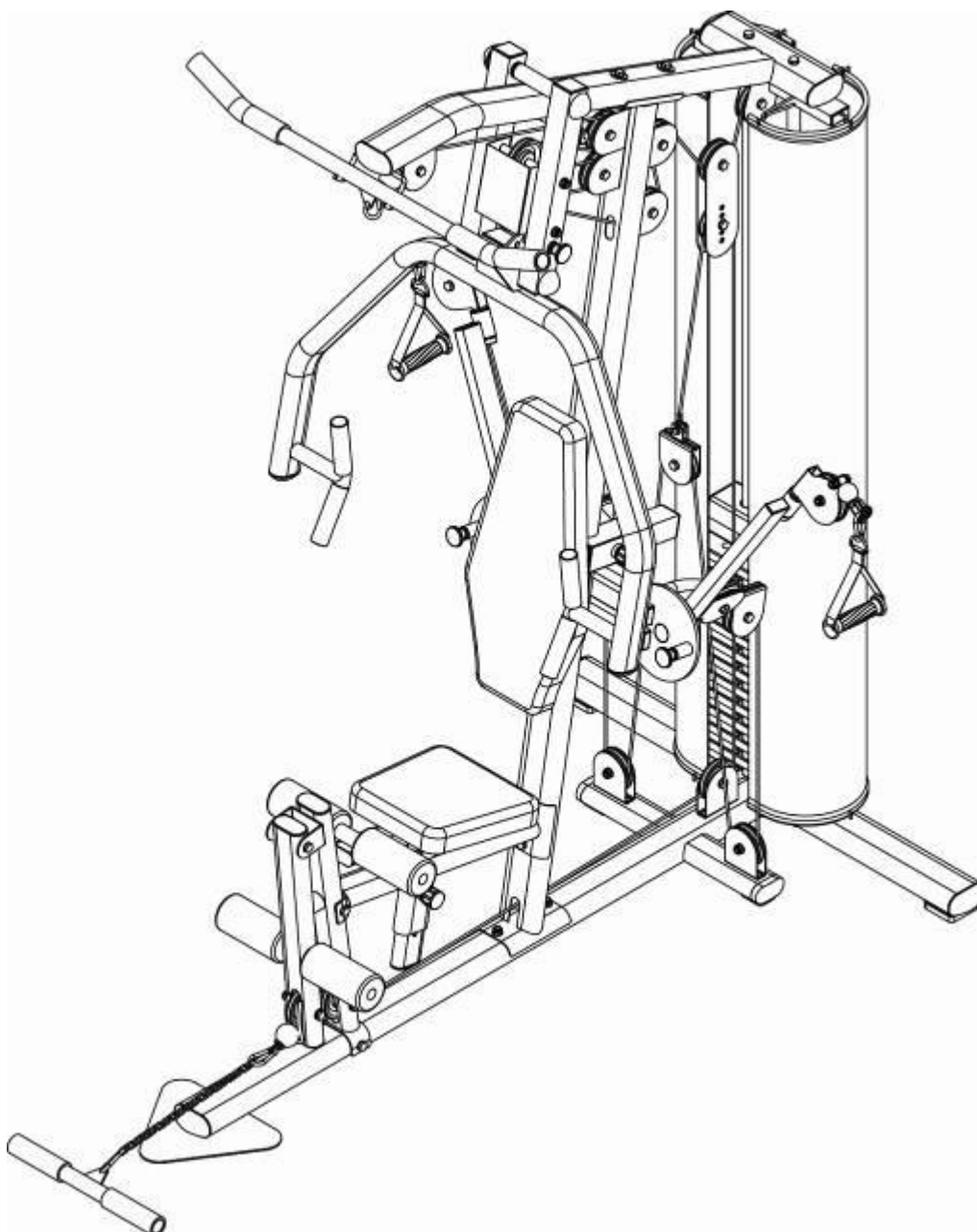




USER MANUAL – EN



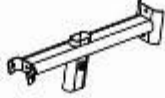



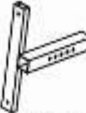

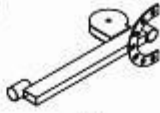


























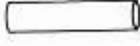














IN 9306 Home Gym inSPORTline ProfiGym C95



CONTENTS

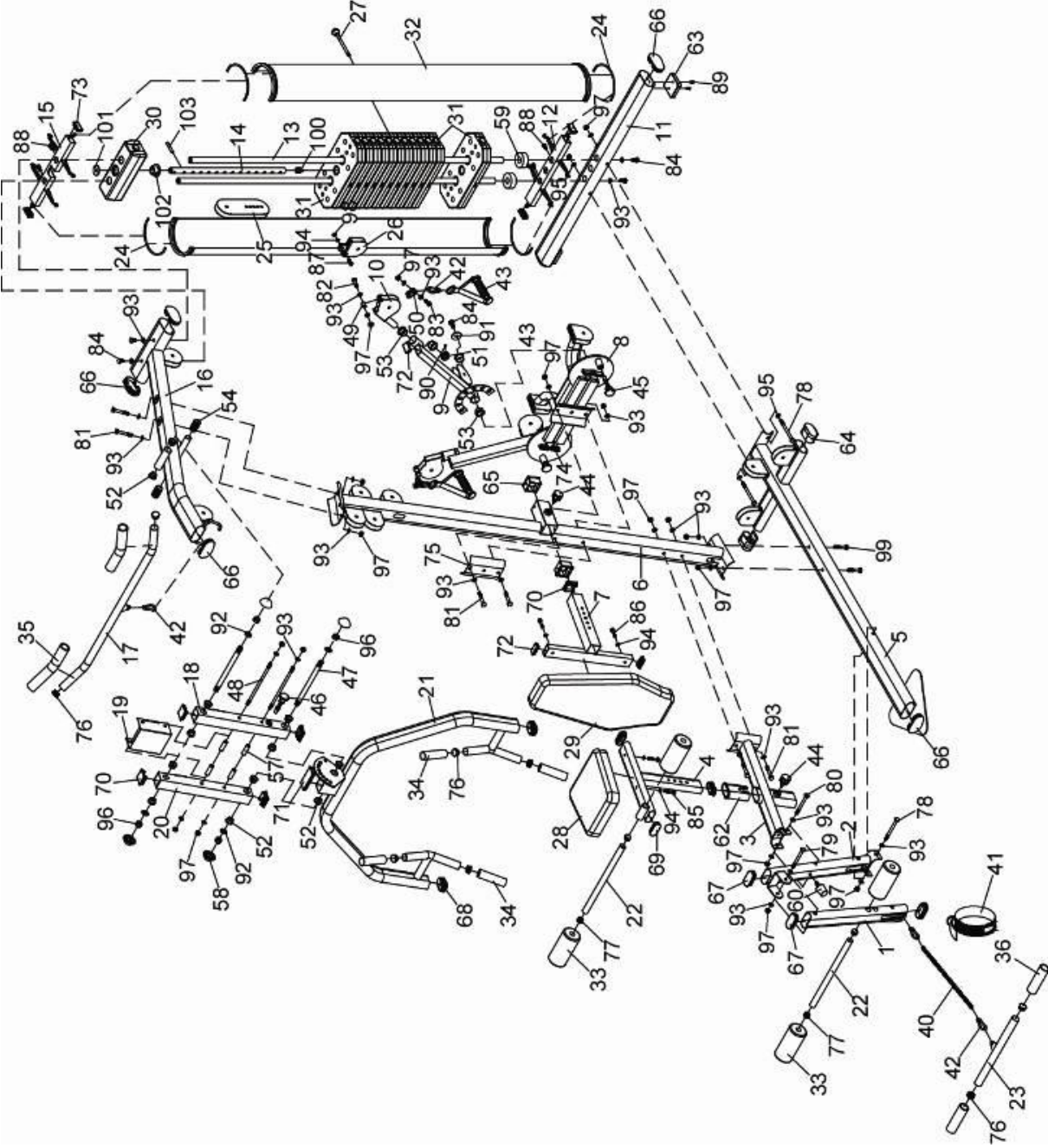
PARTS LIST..... 3
EXPLODED-VIEW 5
ASSEMBLY INSTRUCTIONS..... 6
TERMS AND CONDITIONS OF WARRANTY, WARRANTY CLAIMS 20

PARTS LIST

1  Leg Extension Frame 1PC	2  Front Upright Frame 1PC	3  Seat Support Frame 1PC	4  Seat Frame 1PC	5  Base Frame 1PC
6  Main Frame 1PC	7  Backrest Frame 1PC	8  Arm Fixing Bracket 1PC	9  Arm 2PCS	10  Arm Fixing U 2PCS
11  Back Base Frame 1PC	12  Lower Fixed Tube 1PC	13  Weight Guide Tube 2PCS	14  Selector Shaft 1PC	15  Upper Fixed Tube 1PC
16  Upper Cross Beam 1PC	17  Lat Bar 1PC	18  Left Connect Frame 1PC	19  Pulley Cover 1PC	20  Right Connect Frame 1PC
21  Press Arm 1PC	22  Foam Tube 2PCS	23  Low Bar 1PC	24  U-type Shaft 4PCS	25  Pulley Patch 2PCS
26  Pulley U 1PC	27  Weight Selector Pin 1PC	28  Seat Cushion 1PC	29  Backrest Cushion 1PC	30  Top Weight Plate 1PC
31  Weight Plate 12PCS	32  Safety Cover 2PCS	33  Leg Foam Roller 4PCS	34  Press Arm Foam(125mm) 4PCS	35  Lat Bar Foam(270mm) 2PCS
36  Low Bar Foam(150mm) 2PCS	37a  Arm Cable 1PC	38  Lower Cable 1PC	39  Upper Cable 1PC	40  Chain 1PC
41  Ankle Strap 1PC	42  Pothook 5PCS	43  Strap Handle 2PCS	44  Knob 2PCS	45  Quick Knob(Short) 2PCS
46  Quick Knob(Long) 1PC	47  Shaft(M16) 2PCS	48  Shaft(M10) 2PCS	49  Steel Bushing(21mm) 2PCS	50  Cable U 2PCS

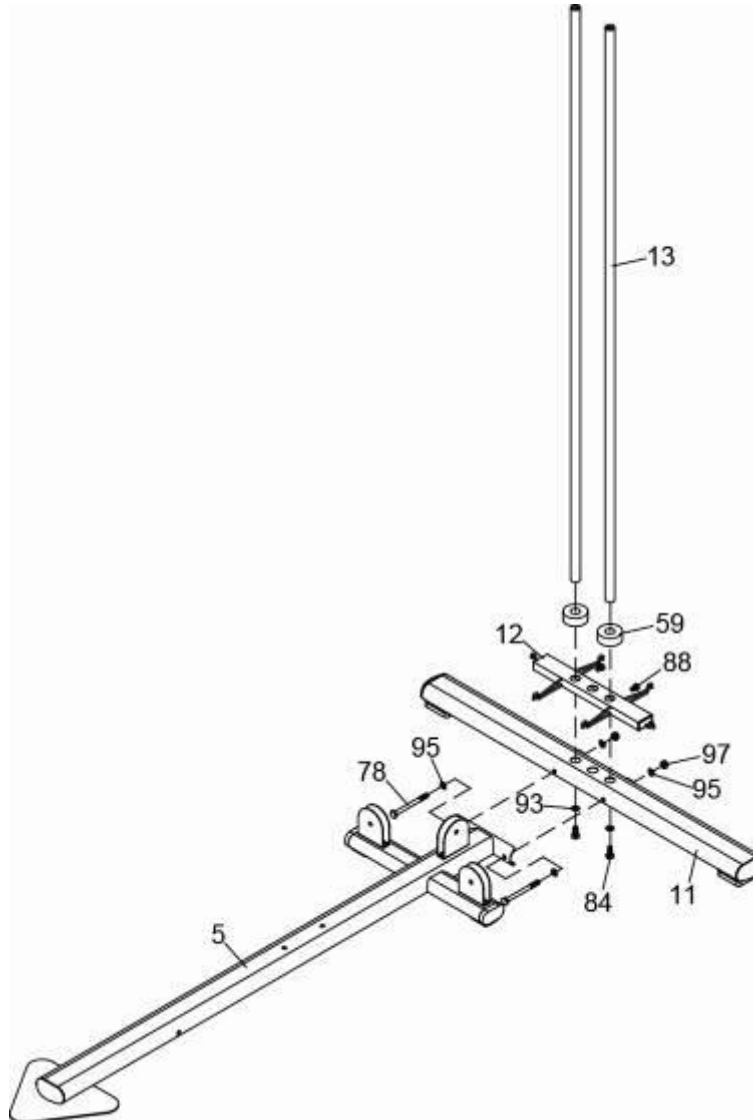
51  Stop Collar 2PCS	52  Oil Bushing (Small) 12PCS	53  Oil Bushing (Big) 8PCS	54  Buffer Cap 2PCS	55  Pulley (4") 4PCS
56  Pulley (3.5") 18PCS	57  Steel Bushing(4mm) 4PCS	58  Plastic Dome Cap 4PCS	59  Rubber Ring 2PCS	60  Bumper 1PC
61  Pulley Bushing 4PCS	62  Mid empty Plug(10X80mm) 1PC	63  Foot Pad 2PCS	64  Oval Foot End Cap 2PCS	65  Mid empty Plug(60x50) 2PCS
66  50X100mm Oval Plug 8PCS	67  40X80mm Oval Plug 3PCS	68  41.6X70mm Oval Plug 2PCS	69  30X70mm Oval Plug 3PCS	70  50mm Square Plug 5PCS
71  50X100mm Square Plug 1PC	72  25X50mm Square Plug 4PCS	73  25X50mm Square Plug with Cap 4PCS	74  20X40mm Square Plug 4PCS	75  Plate 1PC
76  32mm Round Plug 8PCS	77  25mm Round Plug 4PCS	78  M10x120mm Hex Bolt 3PCS	79  M10x105mm Hex Bolt 1PC	80  M10x100mm Hex Bolt 3PCS
81  M10x70mm Hex Bolt 8PCS	82  M10x40mm Hex Bolt 20PCS	83  M10x35mm Hex Bolt 2PCS	84  M10x20mm Hex Bolt 8PCS	85  M8x15mm Hex Bolt 2PCS
86  M8x40mm Hex Bolt 2PCS	87  M8x25mm Hex Bolt 1PC	88  M8x15mm Hex Bolt 4PCS	89  M6x15mm Bolt 4PCS	90  M6X8mm Screw 2PCS
91  Washer(φ 38Xφ 11) 2PCS	92  M16 Washer 4PCS	93  M10 Washer 74PCS	94  M8 Washer 6PCS	95  M10 Arc Washer 4PCS
96  M16 Nylon Nut 4PCS	97  M10 Nylon Nut 39PCS	98  M8 Nylon Nut 1PC	99  M10x65mm Camargo Bolt 2PCS	100  Selector Shaft End Cap 1PC
101  Plastic Washer 1PC	102  Selector Shaft Bushing 1PC	103  Selector Shaft Pin 1PC		

EXPLODED-VIEW



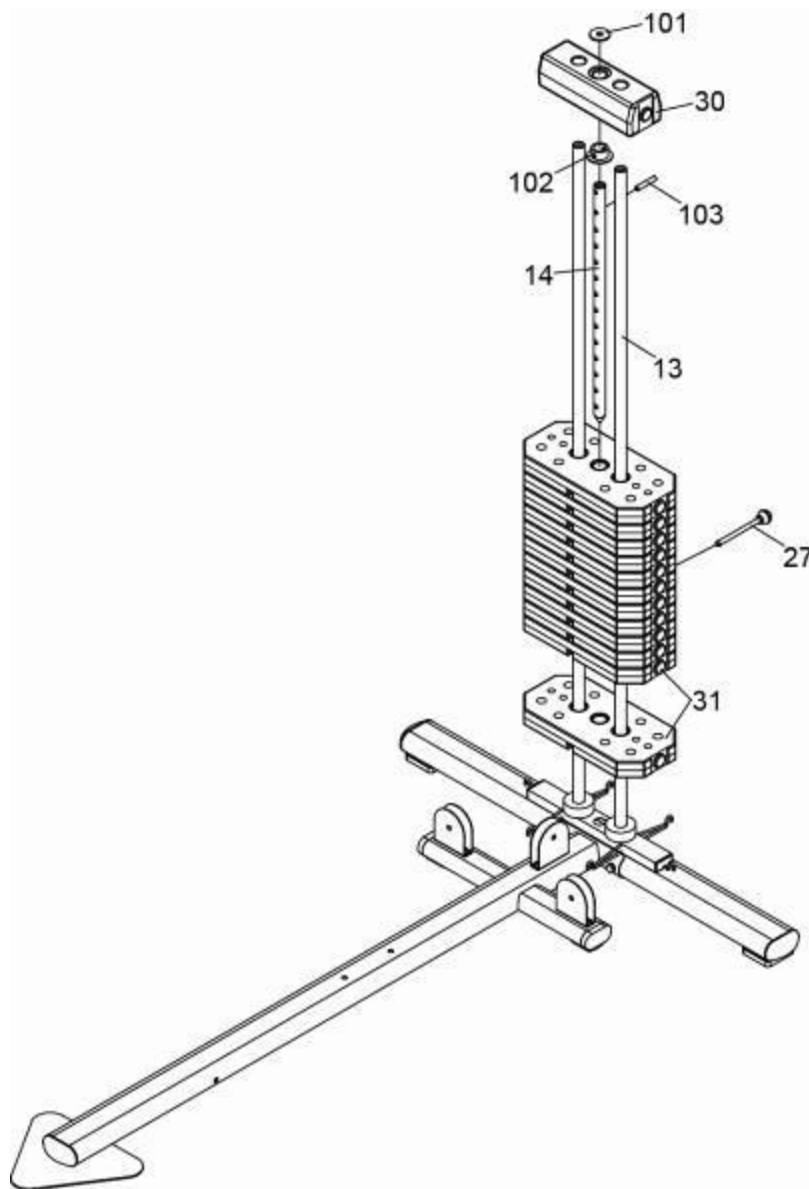
ASSEMBLY INSTRUCTIONS

STEP 1



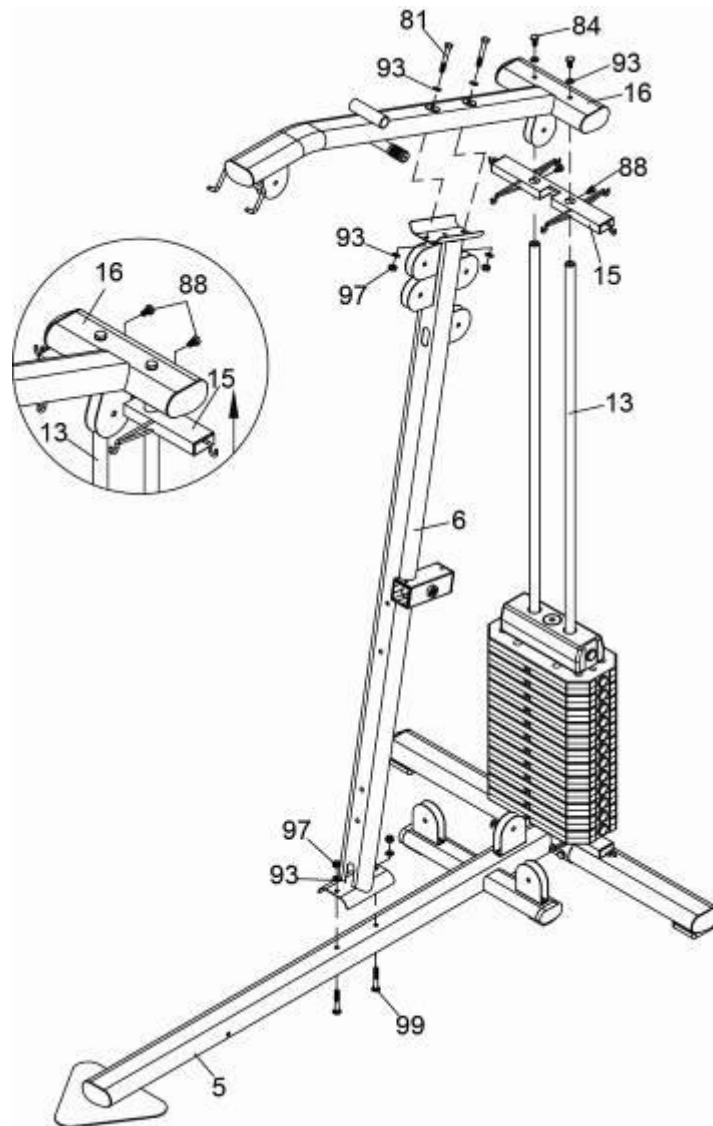
1. Attach the Base Frame (5) to the Back Base Frame (11), using two M10X120mm Hex Bolts (78), four M10 Arc Washers (95) and two M10 Nylon Nuts (97).
2. Remove two M10X20mm Hex Bolts (84) and two M10 Washers (93) from two Weight Guide Tubes (13).
3. Insert two Weight Guide Tubes (13) into the Back Base Frame (11), using two M10X20mm Hex Bolts (84) and two M10 Washers (93).
4. Slide the Lower Fixed Tube (12) onto two Weight Guide Tubes (13), using two M8X15mm Hex Bolts (88).
5. Slide two Rubber Rings (59) onto two Weight Guide Tubes (13).

STEP 2



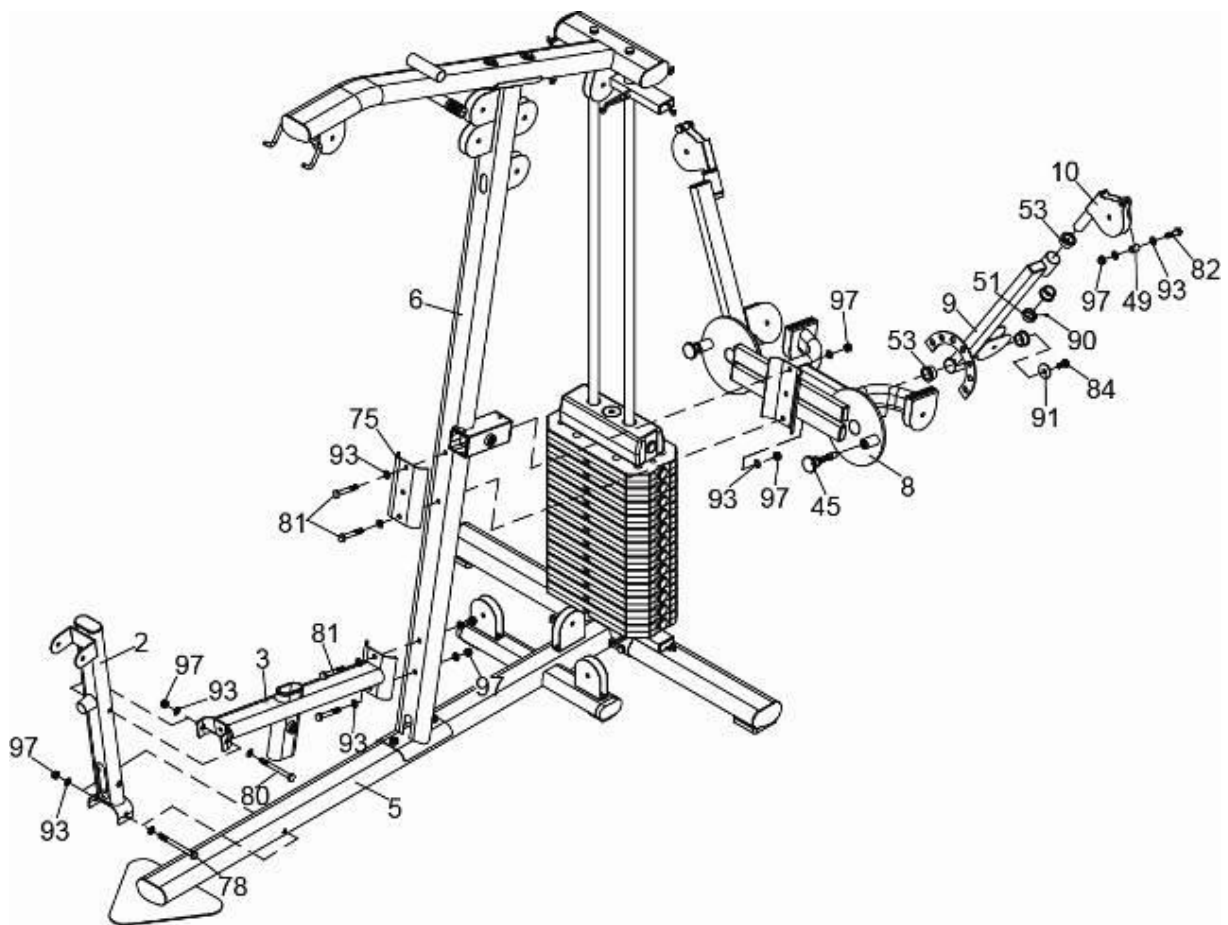
1. Slide twelve Weight Plates (31) down two Weight Guide Tubes (13).
2. Slide the Selector Shaft Bushing (102) down the Selector Shaft (14) at first hole fix with the Selector Shaft Pin (103).
3. Insert the Selector Shaft (14) into hole of the Weight Plate (31).
4. Slide the Top Weight Plate (30) down two Weight Guide Tubes (13), Insert the Weight Selector Pin (27) into hole of desired weight.

STEP 3



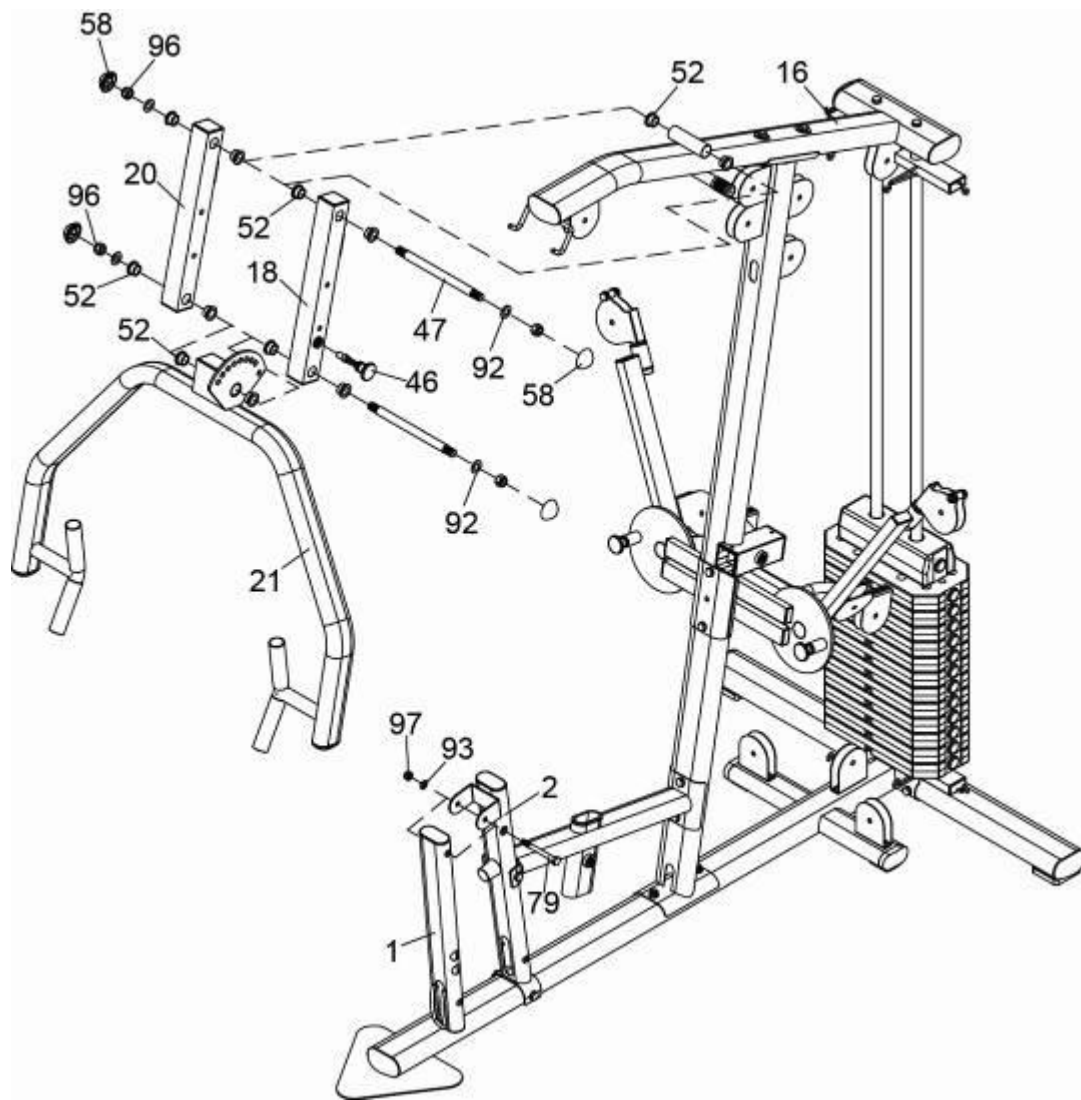
1. Attach the Main Frame (6) to the Base Frame (5), using two M10X65mm Carriage Bolts (99), two M10 Washers (93) and two M10 Nylon Nuts (97).
2. Slide the Upper Fixed Tube (15) onto two Weight Guide Tubes (13), using two M8X15mm Hex Bolts (88).
3. Remove two M10X20mm Hex Bolts (84) and two M10 Washers (93) from two Weight Guide Tubes (13).
4. Attach the Upper Cross Beam (16) to two Weight Guide Tubes (13), using two M10X20mm Hex Bolts (84) and two M10 Washers (93). Note: Attached the Upper Fixed Tube (15) to two Weight Guide Tubes (13), and be close to the Upper Cross Beam (16).
5. Attach the Upper Cross Beam (16) to the Main Frame (6), using two M10X70mm Hex Bolts (81), four M10 Washers (93) and two M10 Nylon Nuts (97).

STEP 4



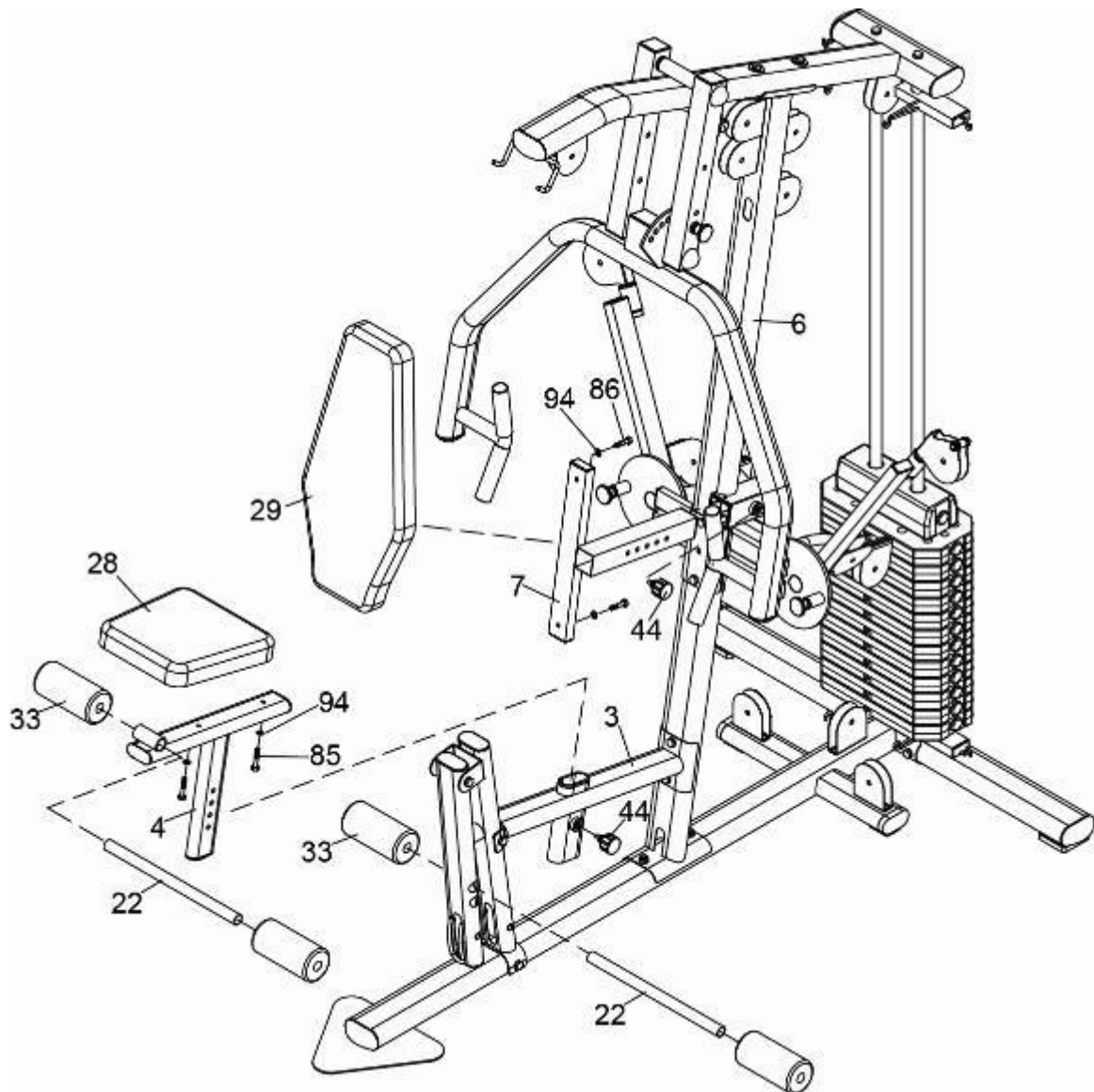
1. Attach the Seat Support Frame (3) to the Main Frame (6), using two M10X70mm Hex Bolts (81), four M10 Washers (93) and two M10 Nylon Nuts (97).
2. Attach the Front Upright Frame (2) to the Base Frame (5) and the Seat Support Frame (3), using one M10X120mm Hex Bolt (78), one M10X100mm Hex Bolt (80), four M10 Washers (93) and two M10 Nylon Nuts (97).
3. Attach the Arm Fixing Bracket (8) and the Plate (75) to the Main Frame (6), using two M10X70mm Hex Bolts (81), four M10 Washers (93) and two M10 Nylon Nuts (97).
4. Attach two Arms (9) to the Arm Fixing Bracket (8), using four Oil Bushings (big) (53), two $\phi 38 \times \phi 11$ Washers (91), two M10X20mm Hex Bolts (84), then insert two Quick Knobs (Short) (45) through the two single holes on the Arm Fixing Bracket (8) to any of the holes on the C-type Plate of the Arms (9).
5. Attach the Arm Fixing U (10) to the Arm (9), using two Oil Bushings (big) (53), Stop Collar (51) and M6x6mm Screws (90).
6. Attach the Steel Bushing (49) to the Arm Fixing U (10), using one M10X40mm Hex Bolt (82), two M10 Washers (93) and one M10 Nylon Nut (97).

STEP 5



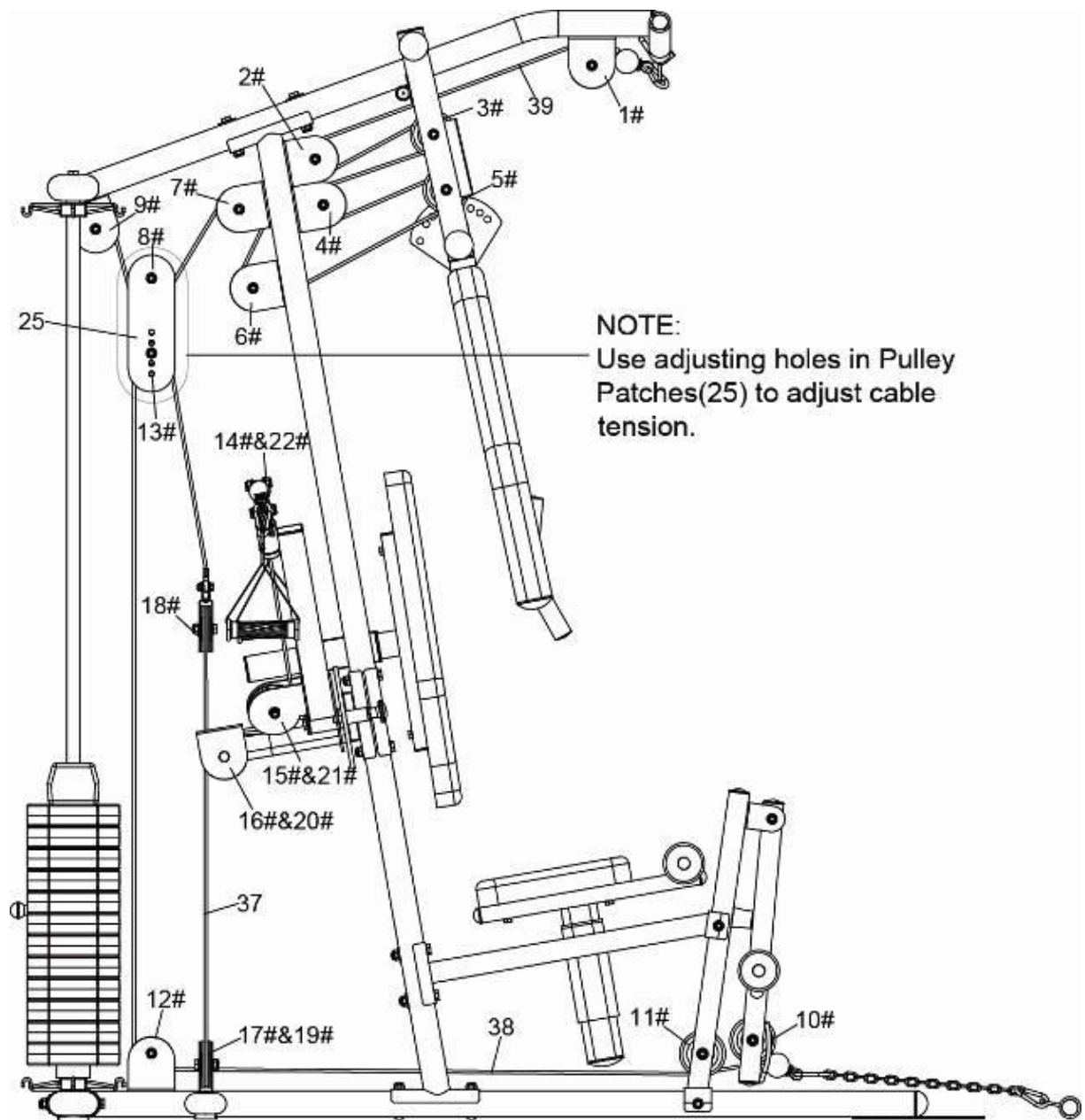
1. Attach the Leg Extension Frame (1) to the Front Upright Frame (2), using one M10X105mm Hex Bolt (79), two M10 Washers (93) and one M10 Nylon Nut (97).
2. Attach the Left Connect Frame (18) and the Right Connect Frame (20) to the Upper Cross Beam (16), using six Oil Bushings (small) (52), one Shaft (M16) (47), two M16 Washers (92), two M16 Nylon Nuts (96) and two Plastic Dome Caps (58).
3. Attach the Press Arm (21) to the Left Connect Frame (18) and the Right Connect Frame (20), using six Oil Bushings (small) (52), one Shaft (M16) (47), two M16 Washers (92), two M16 Nylon Nuts (96) and two Plastic Dome Caps (58).
4. Insert the Quick Knob (Long) (46) through the single hole on the Press Arm (21) to any one of the holes on the Fan-type Plate.

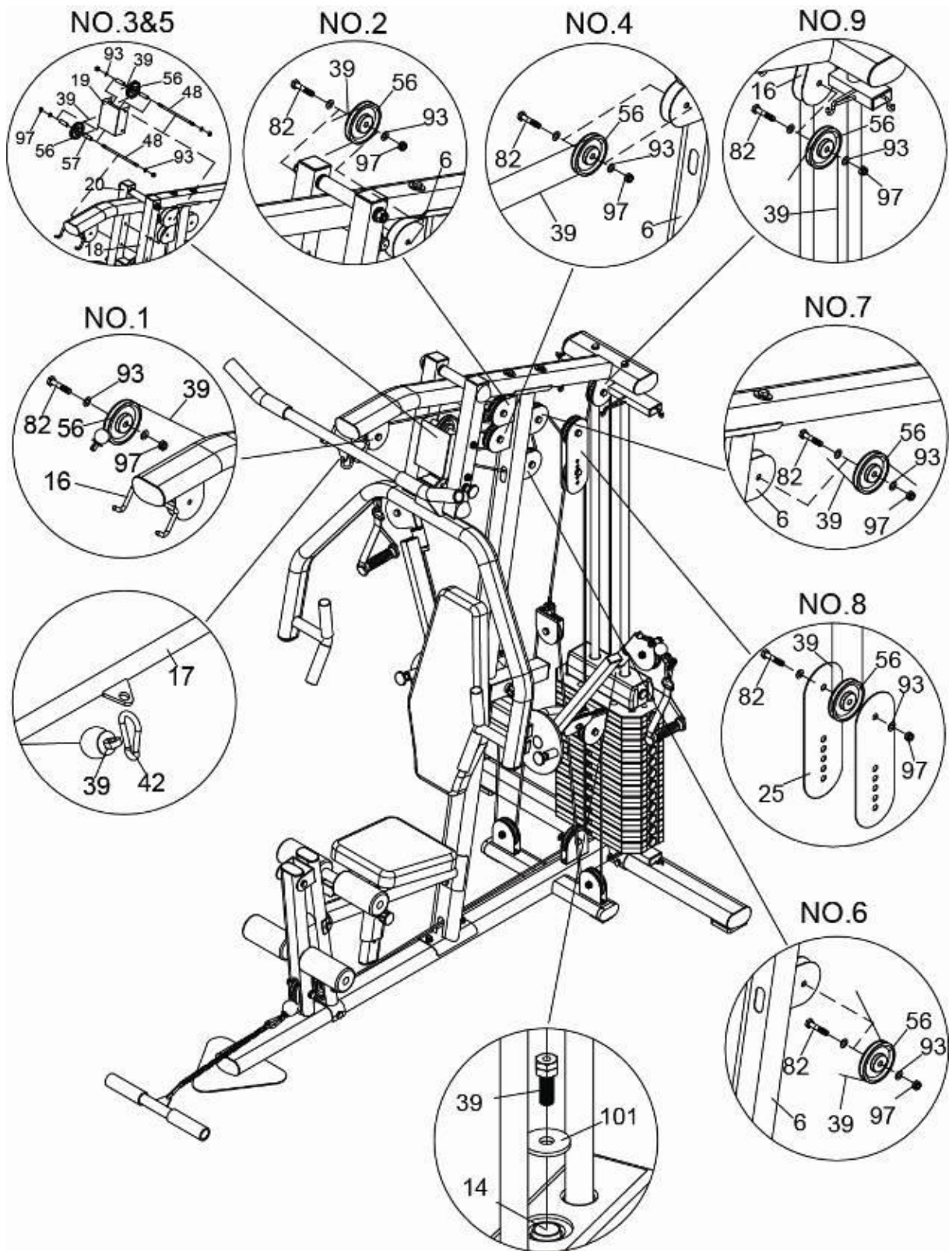
STEP 6



1. Attach the Backrest Cushion (29) to the Backrest Frame (7), using two M8X40mm Hex Bolts (86) and two M8 Washers (94).
2. Attach the Backrest Frame (7) to the Main Frame (6), using one Knob (44).
3. Attach the Seat Cushion (28) to the Seat Frame (4), using two M8X45mm Hex Bolts (85) and two M8 Washers (94).
4. Attach the Seat Frame (4) to the Seat Support Frame (3), using one Knob (44).
5. Insert two Foam Tubes (22) into the Seat Frame (4) and the Leg Extension Frame (1).
6. Slide four Leg Foam Rollers (33) onto two Foam Tubes (22).

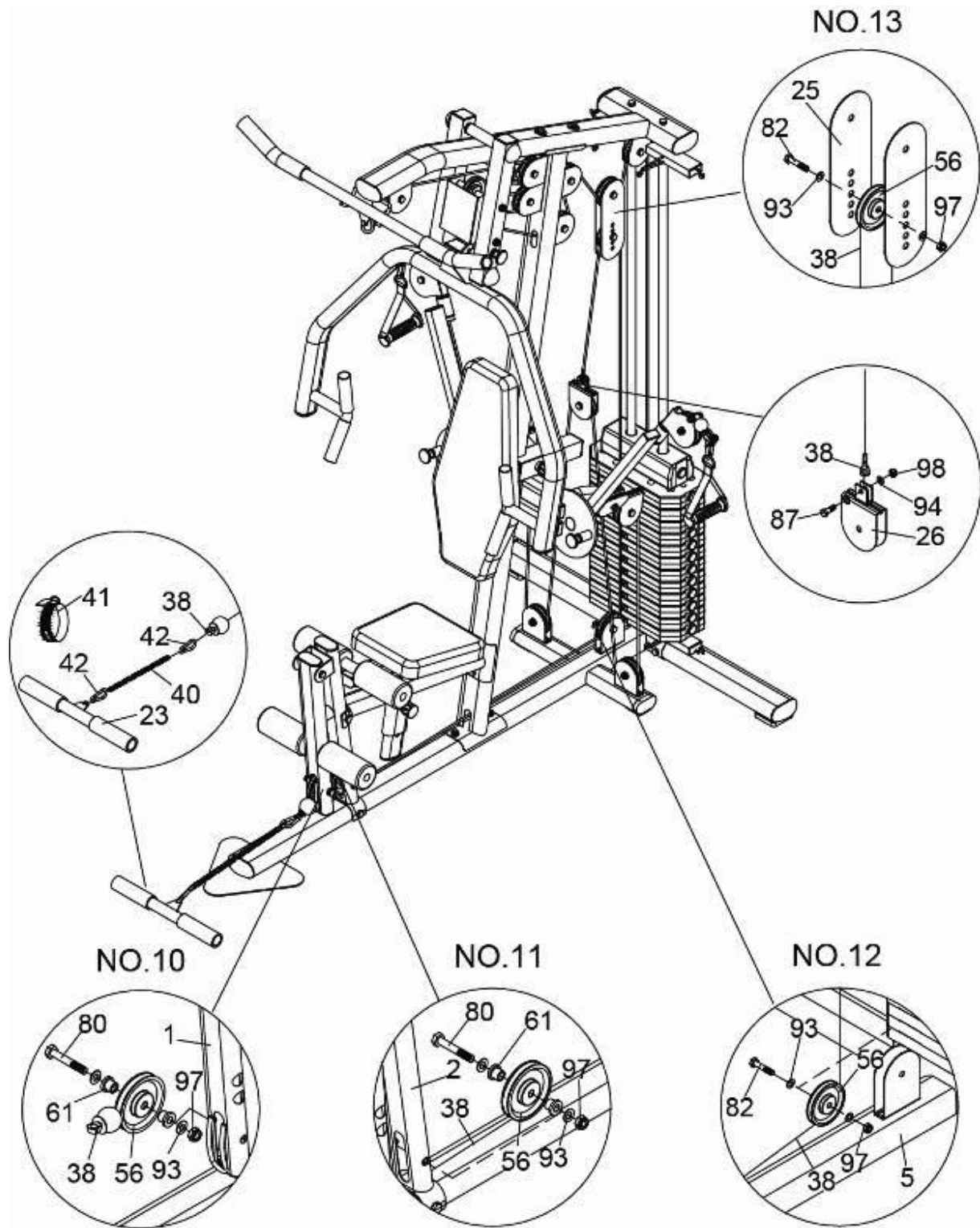
STEP 7





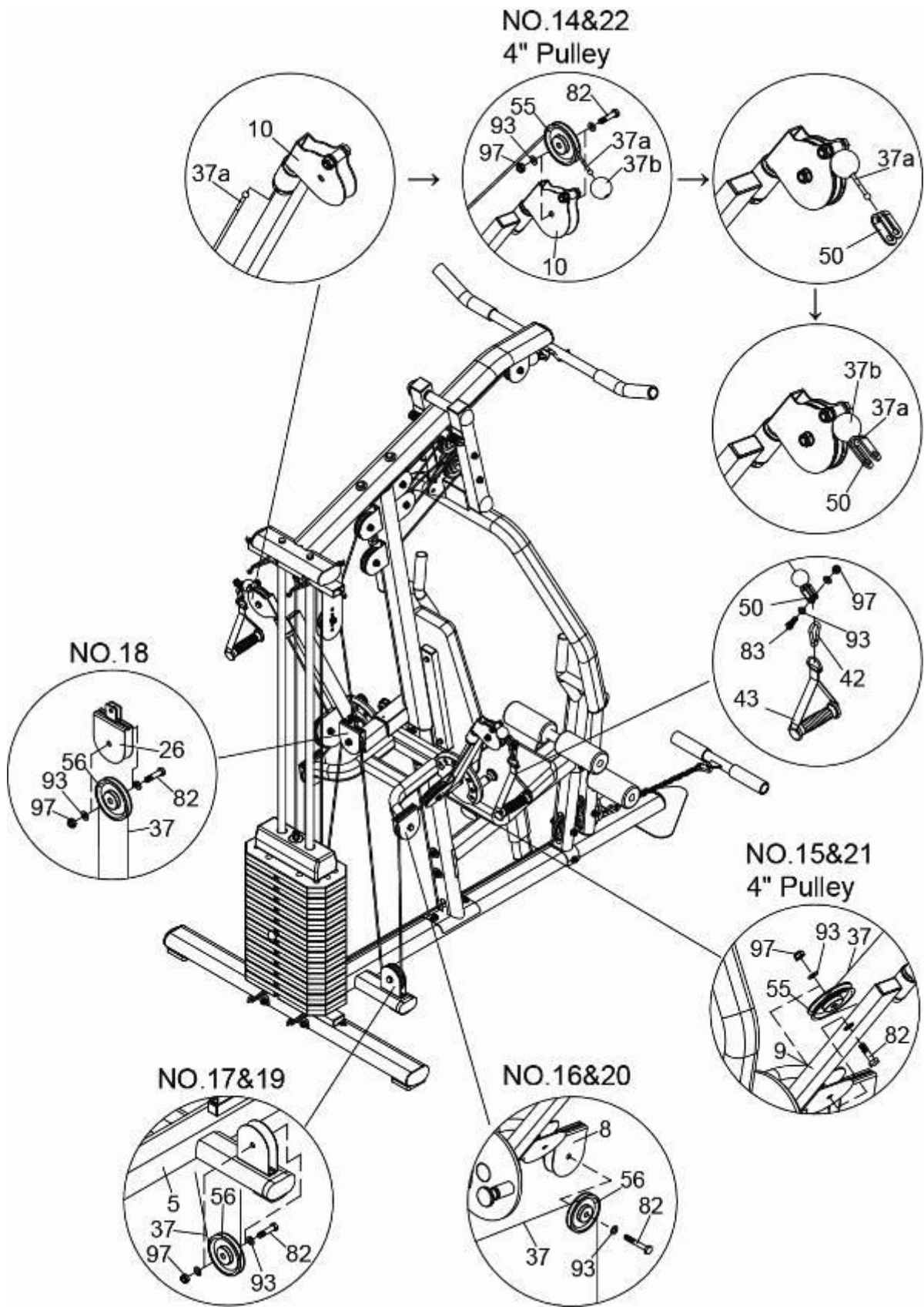
1. Start with the Upper Cable (39):

- a) With Upper Cable (39) in groove of Pulley (56) through Upper Cross Beam (16).
- b) Install Pulley NO.1 (56) to Upper Cross Beam (16), using one M10X40mm Hex Bolt (82), two M10 Washers (93) and one M10 Nylon Nut (97).
- c) Install Pulley NO.2 (56) to Main Frame (6), using one M10X40mm Hex Bolt (82), two M10 Washers (93) and one M10 Nylon Nut (97).
- d) Install two Pulleys No.3&5 (56), four Steel Bushings (49mm) (57) and Pulley Cover (19) to between of Left and Right Connect Frames (18&20), using two Shafts (M10) (48), four M10 Washers (93) and four M10 Nylon Nuts (97).
- e) Install Pulley NO.4 (56) to Main Frame (6), using one M10X40mm Hex Bolt (82), two M10 Washers (93) and one M10 Nylon Nut (97).
- f) Install Pulley NO.6 (56) to Main Frame (6), using one M10X40mm Hex Bolt (82), two M10 Washers (93) and one M10 Nylon Nut (97).
- g) Install Pulley NO.7 (56) to Main Frame (6), using one M10X40mm Hex Bolt (82), two M10 Washers (93) and one M10 Nylon Nut (97).
- h) Install Pulley NO.9 (56) to Upper Cross Beam (16), using one M10X40mm Hex Bolt (82), two M10 Washers (93) and one M10 Nylon Nut (97).
- i) Attach the bolt end of Upper Cable (39) to Selector Shaft (14) with Plastic Washer (101).
- j) Install Pulley NO.8 (56) to two Pulley Patches (25), using one M10X40mm Hex Bolt (82), two M10 Washers (93) and one M10 Nylon Nut (97).
- k) Attach Lat Bar (17) to the other end of Upper Cable (39), using one Pothook (42).



2. Assembly the Lower Cable (38):

- a) With Lower Cable (38) in groove of Pulley (56) through Leg Extension Frame (1).
- b) Install Pulley NO.10 (56) and two Pulley Bushings (61) to Leg Extension Frame (1), using one M10X100mm Hex Bolt (80), two M10 Washers (93) and one M10 Nylon Nut (97).
- c) Install Pulley NO.11 (56) and two Pulley Bushings (61) to Front Upright Frame (2), using one M10X100mm Hex Bolt (80), two M10 Washers (93) and one M10 Nylon Nut (97).
- d) Install Pulley NO.12 (56) to Base Frame (5), using one M10X40mm Hex Bolt (82), two M10 Washers (93) and one M10 Nylon Nut (97).
- e) Install Pulley NO.13 (56) to Pulley U (26), using one M10X40mm Hex Bolt (82), two M10 Washers (93) and one M10 Nylon Nut (97).
- f) Attach the end of Lower Cable (38) to Pulley U (26), using one M8X25mm Hex Bolt (87), two M8 Washers (94) and one M8 Nylon Nut (98).
- g) Attach Lower Bar (23) or Ankle Strap (41) to the other end of Lower Cable (38), using two Pothooks (42) and one Chain (40).



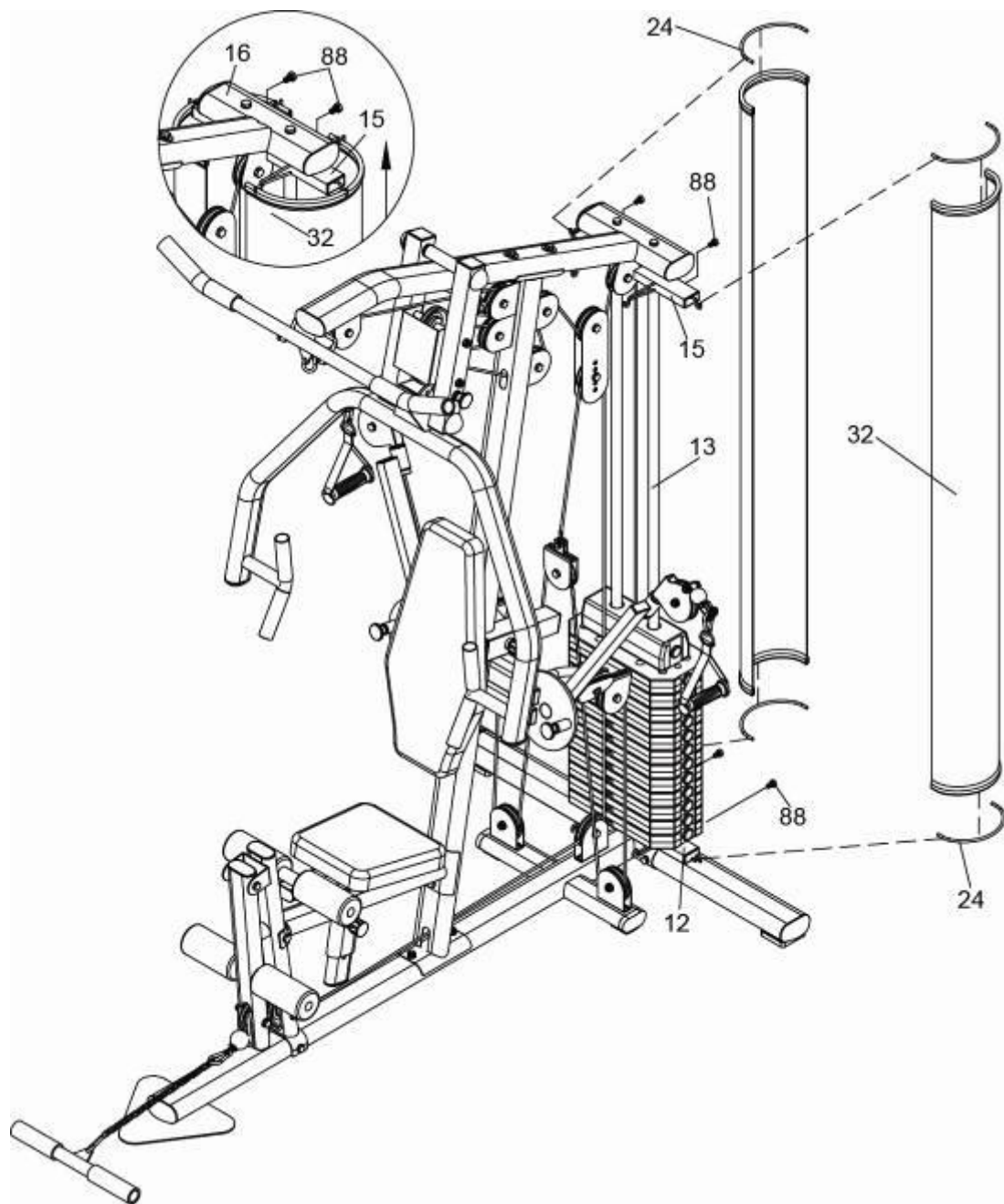
3. Assembly the Arm Cable (37):

- a) Run Arm Cable (37a) through Arm Fixing U (10).
- b) Install two Pulleys NO.14&22 (55) to Arm Fixing U (10), using two M10X40mm Hex Bolts (82), four M10 Washers (93) and two M10 Nylon Nuts (97).
- c) Run Arm Cable (37a) under the bolt pre-assembled on Arm Fixing U (10), through Ball (37b), and wedge the ball end of Cable (37a) to Cable U (50).
- d) Install two Pulleys NO.15&21 (55) to two Arms (9), using two M10X40mm Hex Bolts (82), four M10 Washers (93) and two M10 Nylon Nuts (97).
- e) Install two Pulleys NO.16&20 (56) to Arm Fixing Bracket (8), using two M10X40mm Hex Bolts (82), four M10 Washers (93) and two M10 Nylon Nuts (97).
- f) Install two Pulleys NO.17&19 (56) to Base Frame (5), using two M10X40mm Hex Bolts (82), four M10 Washers (93) and two M10 Nylon Nuts (97).
- g) Install Pulley NO.18 (56) to Pulley U (26), using one M10X40mm Hex Bolt (82), two M10 Washers (93) and one M10 Nylon Nut (97).
- h) Attach two Strap Handles (43) to two Cables U (50), using two Pothooks (42), two M10X35mm Hex Bolts (83), four M10 Washers (93) and two M10 Nylon Nuts (97).

NOTE:

Hook the Pothook (42) to either one of the two D-rings on the Strap Handle (43) according to your need.

STEP 8



1. Insert the U-type Shaft (24) into the both up and down ends of the Safety Cover (32).
2. Attach the Safety Cover (32) to the Lower Fixed Tube (12) and the Upper Fixed Tube (15), and raise the Upper Fixed Tube (15) to tighten the Safety Cover (32), and then M8X15mm Hex Bolts (88) to fix the Upper Fixed Tube (15) on the Weight Guide Tube (13).

TERMS AND CONDITIONS OF WARRANTY, WARRANTY CLAIMS

General Conditions of Warranty and Definition of Terms

All Warranty Conditions stated hereunder determine Warranty Coverage and Warranty Claim Procedure. Conditions of Warranty and Warranty Claims are governed by Act No. 40/1964 Coll. Civil Code, Act No. 513/1991 Coll., Commercial Code, and Act No. 634/1992 Coll., Consumer Protection Act, as amended, also in cases that are not specified by these Warranty rules.

The seller is SEVEN SPORT s.r.o. with its registered office in Borivojova Street 35/878, Prague 13000, Company Registration Number: 26847264, registered in the Trade Register at Regional Court in Prague, Section C, Insert No. 116888.

According to valid legal regulations it depends whether the Buyer is the End Customer or not.

“The Buyer who is the End Customer” or simply the “End Customer” is the legal entity that does not conclude and execute the Contract in order to run or promote his own trade or business activities.

“The Buyer who is not the End Customer” is a Businessman that buys Goods or uses services for the purpose of using the Goods or services for his own business activities. The Buyer conforms to the General Purchase Agreement and business conditions to the extent specified in the Commercial Code.

These Conditions of Warranty and Warranty Claims are an integral part of every Purchase Agreement made between the Seller and the Buyer. All Warranty Conditions are valid and binding, unless otherwise specified in the Purchase Agreement, in the Amendment to this Contract or in another written agreement.

Warranty Conditions

Warranty Period

The Seller provides the Buyer a 24 months Warranty for Goods Quality, unless otherwise specified in the Certificate of Warranty, Invoice, Bill of Delivery or other documents related to the Goods. The legal warranty period provided to the Consumer is not affected.

By the Warranty for Goods Quality, the Seller guarantees that the delivered Goods shall be, for a certain period of time, suitable for regular or contracted use, and that the Goods shall maintain its regular or contracted features.

The Warranty does not cover defects resulting from:

User's fault, i.e. product damage caused by unqualified repair work, improper assembly, insufficient insertion of seat post into frame, insufficient tightening of pedals and cranks

Improper maintenance

Mechanical damages

Regular use (e.g. wearing out of rubber and plastic parts, joints etc.)

Unavoidable event, natural disaster

Adjustments made by unqualified person

Improper maintenance, improper placement, damages caused by low or high temperature, water, inappropriate pressure, shocks, intentional changes in design or construction etc.

Warranty Claim Procedure

The Buyer is obliged to check the Goods delivered by the Seller immediately after taking the responsibility for the Goods and its damages, i.e. immediately after its delivery. The Buyer must check the Goods so that he discovers all the defects that can be discovered by such check.

When making a Warranty Claim the Buyer is obliged, on request of the Seller, to prove the purchase and validity of the claim by the Invoice or Bill of Delivery that includes the product's serial number, or eventually by the documents without the serial number. If the Buyer does not prove the validity of the Warranty Claim by these documents, the Seller has the right to reject the Warranty Claim.

If the Buyer gives notice of a defect that is not covered by the Warranty (e.g. in the case that the Warranty Conditions were not fulfilled or in the case of reporting the defect by mistake etc.), the Seller is eligible to

require a compensation for all the costs arising from the repair. The cost shall be calculated according to the valid price list of services and transport costs.

If the Seller finds out (by testing) that the product is not damaged, the Warranty Claim is not accepted. The Seller reserves the right to claim a compensation for costs arising from the false Warranty Claim.

In case the Buyer makes a claim about the Goods that is legally covered by the Warranty provided by the Seller, the Seller shall fix the reported defects by means of repair or by the exchange of the damaged part or product for a new one. Based on the agreement of the Buyer, the Seller has the right to exchange the defected Goods for a fully compatible Goods of the same or better technical characteristics. The Seller is entitled to choose the form of the Warranty Claim Procedures described in this paragraph.

The Seller shall settle the Warranty Claim within 30 days after the delivery of the defective Goods, unless a longer period has been agreed upon. The day when the repaired or exchanged Goods is handed over to the Buyer is considered to be the day of the Warranty Claim settlement. When the Seller is not able to settle the Warranty Claim within the agreed period due to the specific nature of the Goods defect, he and the Buyer shall make an agreement about an alternative solution. In case such agreement is not made, the Seller is obliged to provide the Buyer with a financial compensation in the form of a refund.



SEVEN SPORT, s.r.o.

Borivojova 35/878 130 00 Praha 3, Czech Republic

CRN: 268 47 264, VAT ID: CZ26847264

Orders: +420 556 300 970, objednavky@insportline.cz

Warranty Claims: +420 556 770 190, Mobile: +420 604 853 019, reklamace@insportline.cz

Service: +420 556 770 190, Mobile: +420 604 853 019, servis@insportline.cz

Fax: +420 556 770 192, (Service +420 556 770 191)

Web: www.insportline.cz, www.worker.cz, www.worker-moto.cz



INSPORTLINÉ, s.r.o.

Bratislavská 36, 911 05 Trenčín, Slovakia

CRN: 36311723, VAT ID: SK2020177082

Orders: +421(0)326 526 701, +421(0)917 649 192, objednavky@insportline.sk

Warranty Claims: +421(0)326 526 701, +421(0)918 408 519, reklamacie@insportline.sk

Fax: +421(0)326 526 705

Web: www.insportline.sk, www.worker.sk, www.worker-moto.sk

Date of Sale:

Stamp and Signature of Seller: