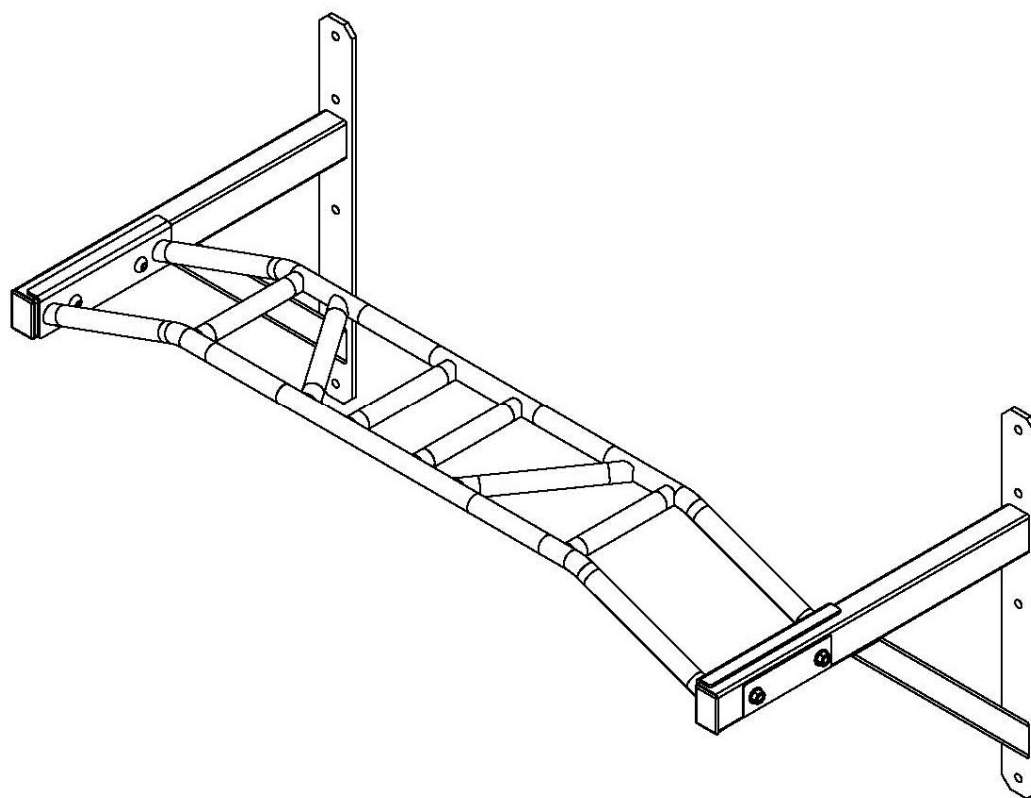
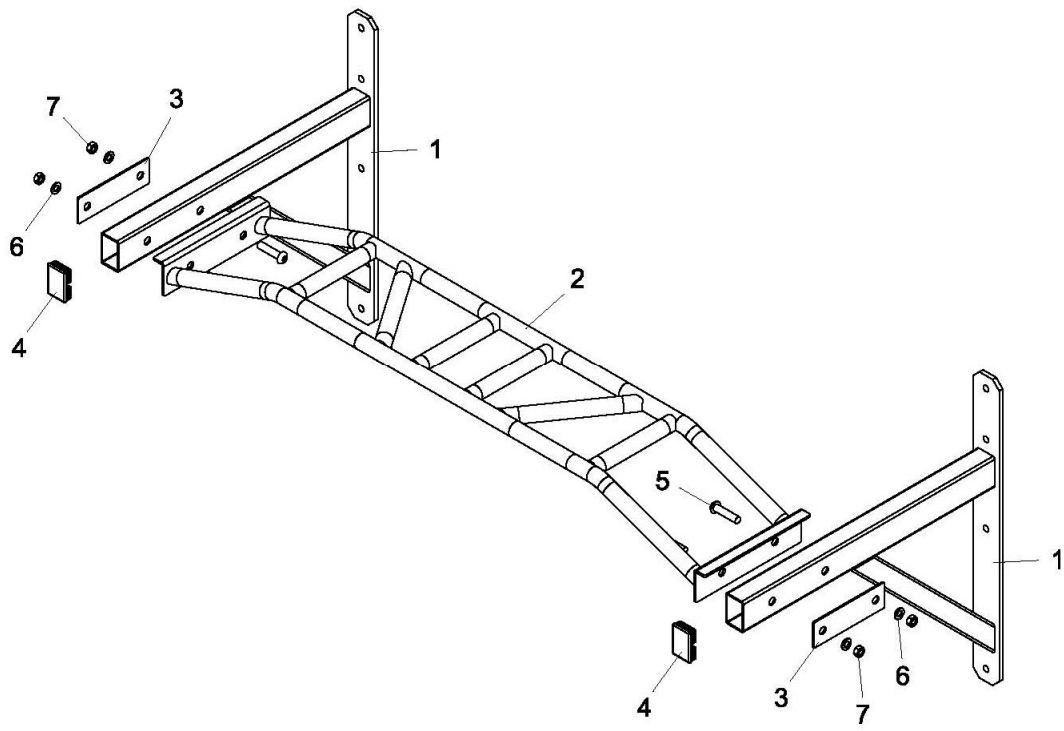


CHIN-UP RACK

PU1207R





NUMBER	DESCRIPTION	QUANTITY
1	BOOM	2
2	HAND GRIP	1
3	REINFORCEMENT PLATE	2
4	RECTANGULAR PLUG	2
5	ALLEN SCREW M12*65	4
6	WASHER 12	4
7	LOCK NUT M12	4