



**USER MANUAL – EN**

**IN 3880 Treadmill inSPORTline Stratosphere**



# CONTENTS

- GENERAL SAFETY INSTRUCTIONS ..... 3
- SPECIAL SAFETY PRECAUTIONS ..... 4
  - POWER SOURCE ..... 4
  - ASSEMBLY ..... 4
- CONTENTS OF THE PACKAGE ..... 5
  - HARDWARE KIT ..... 5
- EXPLODED VIEW ..... 6
- PARTS LIST ..... 7
- ASSEMBLY DIAGRAM ..... 9
- ASSEMBLY INSTRUCTIONS ..... 9
- USAGE INSTRUCTIONS ..... 10
  - TURNING ON THE MACHINE ..... 10
  - SAFETY KEY ..... 10
  - FOLDING INSTRUCTIONS ..... 10
- TRAINING MONITOR ..... 11
- MAINTENANCE ..... 14
  - BELT ADJUSTMENT ..... 14
  - LUBRICATION ..... 15
  - CLEANING ..... 15
  - STORAGE ..... 16
  - IMPORTANT NOTES ..... 16
- TROUBLESHOOTING ..... 16
- GENERAL FITNESS TIPS ..... 17
- WARM-UP / STRETCHING EXERCISES ..... 18
- TERMS AND CONDITIONS OF WARRANTY, WARRANTY CLAIMS ..... 19

## **THANK YOU**

Thanks for purchasing this product. The product will help you exercise your muscles in the correct way and to improve your fitness – and all this in a familiar environment.

## **GENERAL SAFETY INSTRUCTIONS**

A great deal of emphasis was placed on safety in the design and manufacture of this fitness device. Still, it is very important that you strictly adhere to the following safety instructions. We cannot be held liable for accidents that were caused due to disregard.

**To ensure your safety and to avoid accidents, please read through the operating instructions thoroughly and attentively before you use the sports device for the first time.**

- 1) Consult your GP before starting to exercise on this device. Should you want to exercise regularly and intensively, the approval of your GP would be advisable. This is especially true for users with health problems.
- 2) We recommend that handicapped people should only use the device when a qualified carer is present.
- 3) When using the fitness device, wear comfortable clothing and preferably sports or aerobic shoes. Avoid wearing loose clothing which could get caught in the moving parts of the device.
- 4) Stop exercising immediately should you feel unwell or if you feel pain in your joints or muscles. In particular, keep an eye on how your body is responding to the exercise program. Dizziness is a sign that you are exercising too intensively with the device. At the first signs of dizziness, lay down on the ground until you feel better.
- 5) This appliance is not intended for use by persons (including children) with reduced physical, sensory or mental capabilities, or lack of experience and knowledge, unless they have been given supervision or instruction concerning use of the appliance by a person responsible for their safety. Children should be supervised to ensure that they do not play with the appliance.
- 6) Ensure there are no children nearby when you are exercising on the device. In addition, the device should be stowed in a place that children or house pets cannot reach.
- 7) Ensure that only one person at a time uses the fitness device.
- 8) After the sports device has been set up according to operating instructions, make sure all screws, bolts and nuts are correctly fitted and tightened. Use only attachments recommended and/or supplied by the importer.
- 9) Do not use a device that is damaged or unserviceable.
- 10) Always place the device on a smooth, clean and sturdy surface. Never use near water and make sure there are no pointed objects in the direct vicinity of the fitness device. If necessary, place a protective mat (not included in scope of delivery) to protect your floor underneath the device and keep a free space of at least 0.6m around the device for safety reasons.
- 11) Class - HC (according to EN ISO 20957) for home use.
- 12) Take care not to put your arms and legs near moving parts. Do not place any material in openings in the device.
- 13) Use the device only for the purposes described in these operating instructions. Use only attachments recommended by the manufacturer.
- 14) Maximum user weight is 130 kgs.

## **SPECIAL SAFETY PRECAUTIONS**

### **POWER SOURCE**

- Choose a place within reach of a socket when placing the treadmill.
- Always connect the appliance to a socket with a grounded circuit and no other appliances connected to it. It is recommended not to use any extension cords.
- A faulty grounding of the appliance can cause the risk of electrical shocks. Ask a qualified electrician to check the socket in case you do not know if the appliance is grounded appropriately. Do not modify the plug provided with the appliance if it is not compatible with your socket. Ask a qualified electrician to install a suitable socket.
- Sudden voltage fluctuations can seriously damage the treadmill. Whether to change or switch on and off other appliances can cause peak voltages, over-voltage or interference voltage. To limit the danger of damage to the treadmill, it should be equipped with an over-voltage protective device (not included).
- This appliance is designed for use with ~220 - ~240 Volt rated voltage.
- Keep power cord away from the carrying roller. Do not leave the power cord below the striding belt. Do not use the treadmill with a damaged or worn out power cord.
- Unplug before cleaning or engaging in maintenance work. Maintenance should only be done by authorized service technicians, unless otherwise stated by the manufacturer. Ignoring those instructions would automatically void the warranty.
- Inspect the treadmill before every use to make sure that every part is operational.
- Do not use the treadmill outdoors, in a garage or under any kind of canopy. Do not expose the treadmill to high humidity or direct sunlight.
- Never leave the treadmill unattended.
- If the supply cord is damaged, it must be replaced by the manufacturer, its service agent or similarly qualified persons in order to avoid a hazard.
- Make sure the striding belt is always tense. Start the striding belt before stepping on it.

### **ASSEMBLY**

- Before starting with the assembly of this fitness device, carefully read through the set up steps of ASSEMBLY INSTRUCTIONS. We also recommend that you view the ASSEMBLY DRAWING prior to assembly.
- Remove all packaging material and place the individual parts on a free surface. This will provide you with an overview and will simplify assembly.
- Use the CONTENTS OF PACKAGE to check that all components have been supplied. Dispose of the packaging material only after the trainer is fully assembled.
- Please consider that there is always the risk of injury when using tools and carrying out technical activities. Please proceed with care when assembling the device.
- Make sure you have a hazard-free working environment and do not, for example, leave tools lying around. Deposit the packaging material in such a way that it does not pose a danger. Foil/plastic bags are a potential risk of suffocation for children!
- Take your time when viewing the drawings and then assemble the device according to the series of illustrations.
- The device must be carefully assembled by an adult person. If necessary, request aid from another technically talented person.

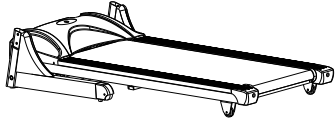
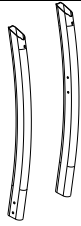
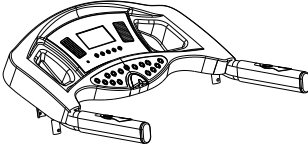


**WARNING:** Use extreme caution when assembling this treadmill. Failure to do could result in injury.

**NOTE:** Each step in the assembly instructions tells you what you will be doing. Read and understand all instructions thoroughly before assembling the treadmill.

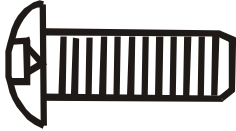
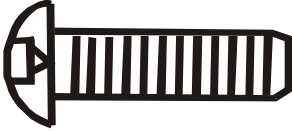



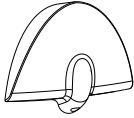
## CONTENTS OF THE PACKAGE

### UNPACK AND VERIFY THE CONTENTS OF THE BOX

- Lift up and remove the box that surrounds the Treadmill.
- Check the following items are present. If any of the parts missed please contact with the dealer.

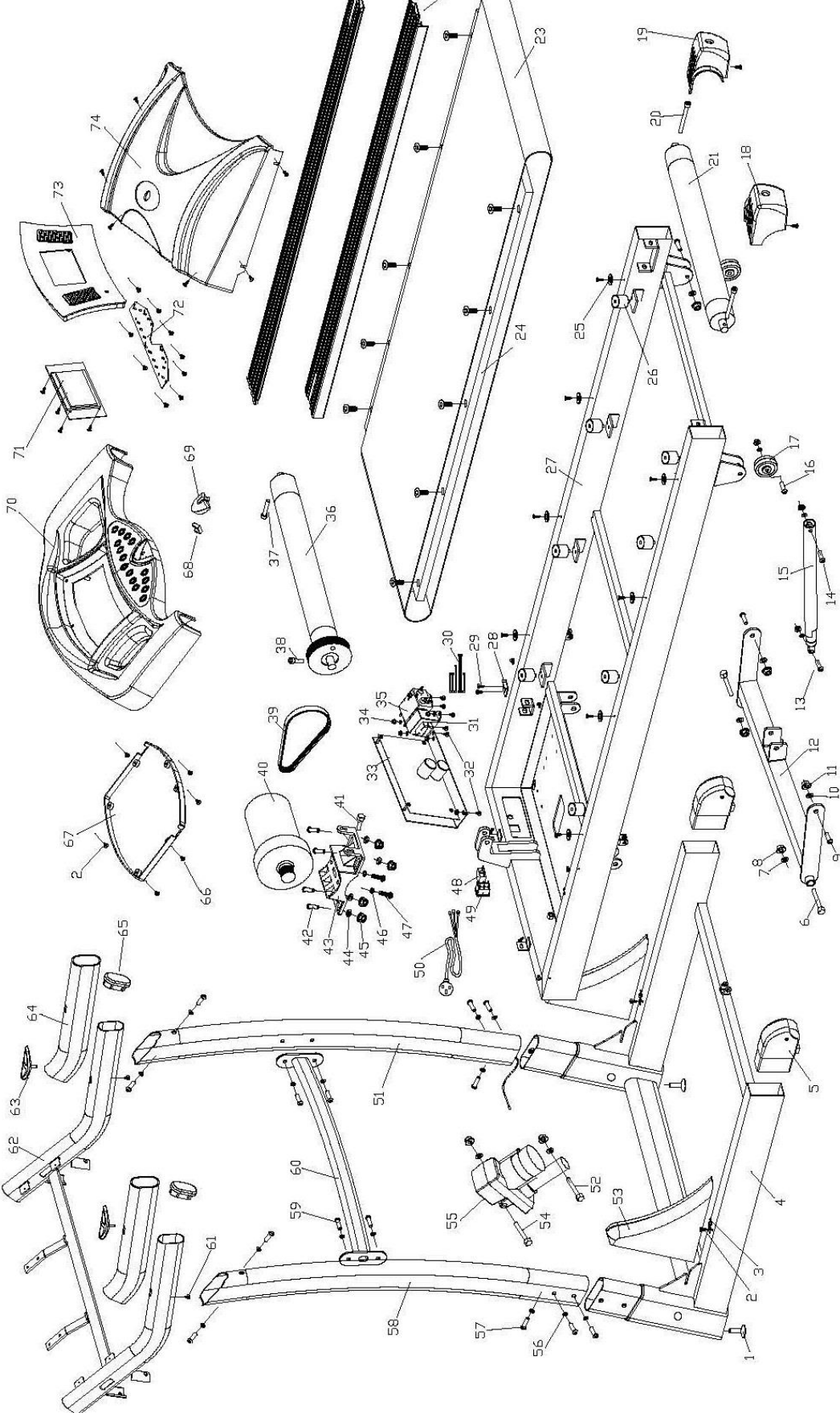
 <p>MAIN BODY</p>	 <p>CONSOLE MASTS</p>	 <p>CONSOLE</p>	 <p>HARDWARE KIT</p>
 <p>CONSOLE CROSSBAR</p>			

### HARDWARE KIT

 <p>M8x15 ALLEN BOLT 10pcs</p>	 <p>M8x20 ALLEN BOLT 4pcs</p>	 <p>WASHER 14 pcs</p>
 <p>LUBRICANT FOR RUNNING DECK</p>	 <p>ALLEN WRENCH 1 pcs</p>	 <p>SAFETY KEY</p>

# EXPLODED VIEW

Most of the displayed parts in this diagram are shipped pre-assembled. For spare parts, please do always specify parts numbers used on this diagram or in the following parts list.



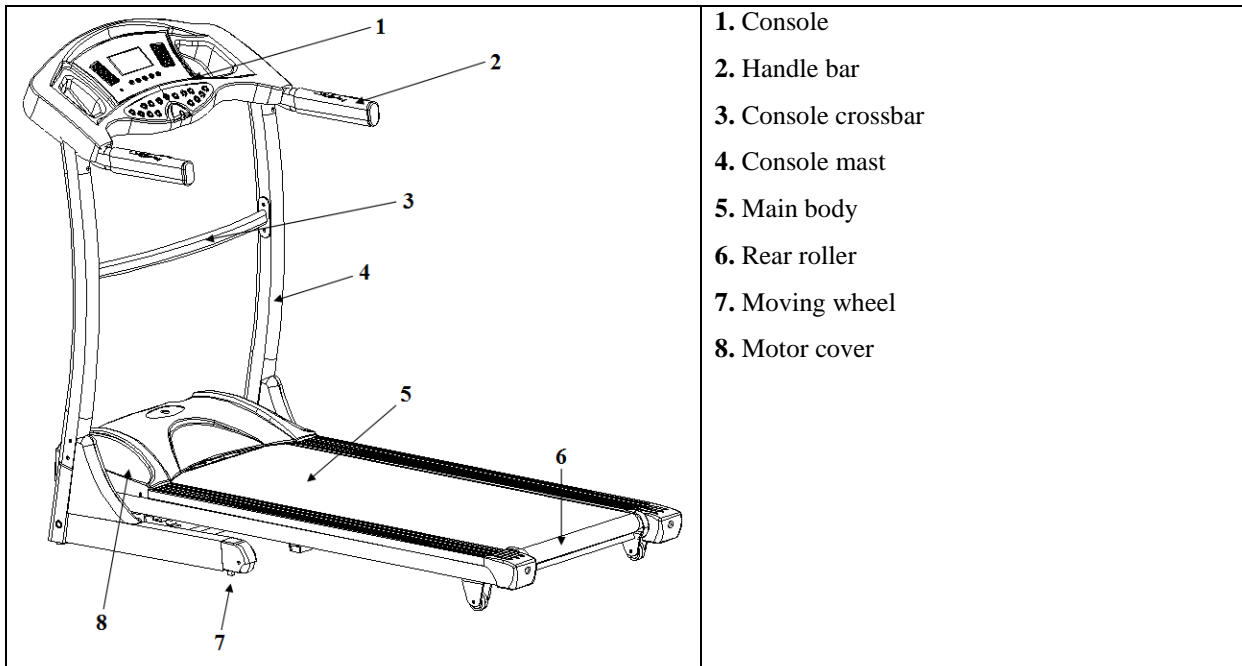
## PARTS LIST

ITEM	DESCRIPTION	QTY
1	Adjustable pad	2
2	Screw M4*15	2
3	Spring slice	2
4	Base frame	1
5	Front wheel set	2
6	Hex head bolt M14*120	2
7	Washer 14	2
8	Nut M14	2
9	Allen bolt M8*20	2
10	Washer 8	6
11	Nut M8	6
12	Incline frame	1
13	Allen bolt M8*30	1
14	Allen bolt M8*50	1
15	Air shock	1
16	Allen bolt M8*45	2
17	Moving wheel	2
18	Left end cover	1
19	Right end cover	1
20	Allen cap bolt M8*60	2
21	Rear roller	1
22	Side rein	2
23	Running belt	1
24	Running deck	1
25	Washer	8
26	Rubber washer	8
27	Main frame	1
28	Fixing bracket, side rein	2
29	Screw M4*12	20
30	Connect wire set	1
31	Transformer	1
32	Screw M4*14	6
33	Controller	1
34	Nut M4	4
35	Filter	1
36	Front roller	1

37	Allen cap bolt M8*25	1
38	Allen cap bolt M8*40	1
39	Drive belt	1
40	Motor	1
41	Allen bolt M8*35	1
42	Allen bolt M10*25	4
43	Fixing bracket motor	1
44	Washer 10	4
45	Nut M10	4
46	Spring washer	2
47	Allen bolt M8*20	2
48	Fuse	1
49	Power switch	1
50	Power cord	1
51	Right console mast	1
52	Hex head bolt M10*120	1
53	Base frame cover	2
54	Hex head bolt M10*55	1
55	Incline motor	1
56	Washer 8	14
57	Allen bolt M8*15	10
58	Left console mast	1
59	Allen bolt M8*20	4
60	Console crossbar	1
61	Screw M4*60	2
62	Fixing bracket Console	1
63	Hand pulse set	2
64	Handle cover	2
65	Handle end cover	2
66	Screw M4*15	22
67	Console down cover	1
68	Fixing bracket key	1
69	Safety key	1
70	Console up cover	1
71	Console	1
72	Keystroke PCB	1
73	Computer display cover	1
74	Motor cover	1

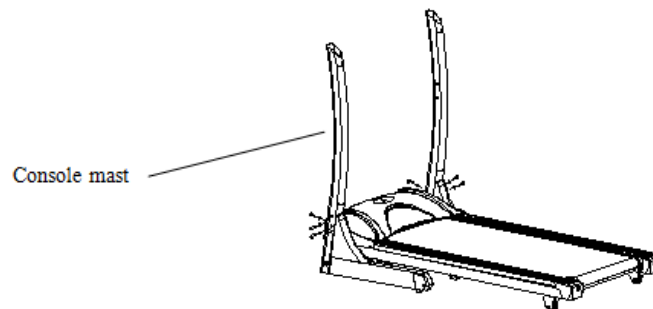


## ASSEMBLY DIAGRAM



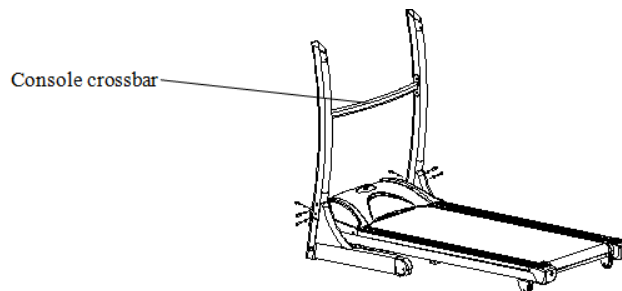
## ASSEMBLY INSTRUCTIONS

### STEP 1: Attach the console masts to the base frame



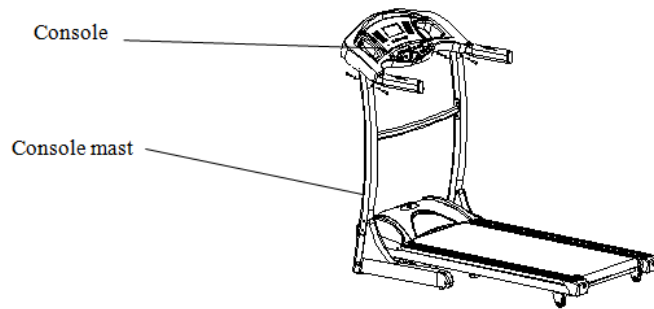
- A) Put the console wire through the console mast.
- B) Then attach left/right console mast into main frame with six M8X15mm bolts (57) and washers (56). (Do not tighten the bolts)

### STEP 2: Attach the console crossbar to the console mast



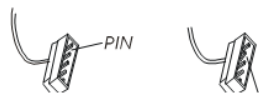
Assemble the console crossbar (60) to the console masts (51, 58) with four M8x20mm bolts (59) and washers (56). (Do not tighten the bolts)

### STEP 3: Attach the console to the console mast



- A) Connect the wire from the console to the wire in the right console mast.
- B) Assemble the console to the console masts with four M8x15mm bolts (57) and washers (56). (Do not tighten the bolts)

**ATTENTION:** Be careful when you connect the two console-controller wires. There are pins inside connector, the pins must be straight, otherwise it will cause problems.



(Insure pins are straight)

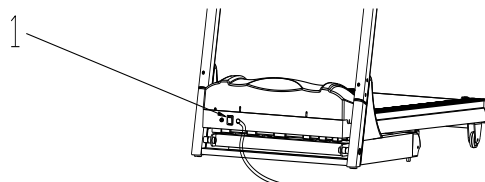
#### **STEP 4: Tighten Step 1, Step 2, Step 3 bolts**

First open switch and working machine, then tighten bolts with the provided Allen key.

## **USAGE INSTRUCTIONS**

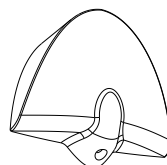
### **TURNING ON THE MACHINE**

Make sure that the treadmill is correctly connected to power source. Open on/off switch (1), turn it ON and it will be light. You will hear a signal tone and the LED screen of the Computer will light up.



### **SAFETY KEY**

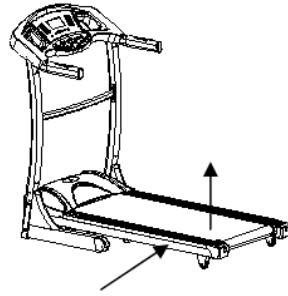
The treadmill will only work if the safety key is properly locked in the provided notch of the computer. Inset the safety and attach the clip onto waist part of your clothes. In case of trouble, where it is necessary to turn of the motor immediately, simply push out the safety out of the console by pulling the rope. To turn the treadmill on again, turn the main switch off and then put the safety key back into the notch on the console. **(Be sure to attach the safety clip to your clothing when the treadmill is in use. Remove the safety key when it is not in use and store away from children.)**



### **FOLDING INSTRUCTIONS**

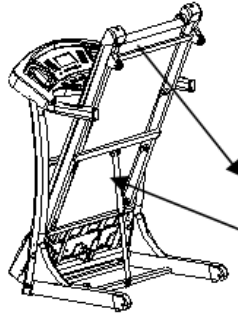
The treadmill can be folded for space-saving storage.

**Folding:** To fold the treadmill, lift the plate up and lock.

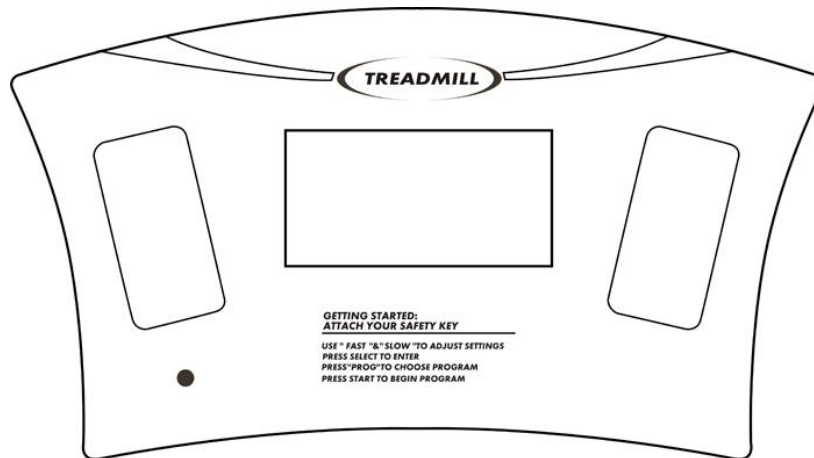


NOTE: Make sure that the locking bolt is locked in place correctly.

**Unfolding:** Pull out the locking bolt and put the treadmill slowly and carefully down.



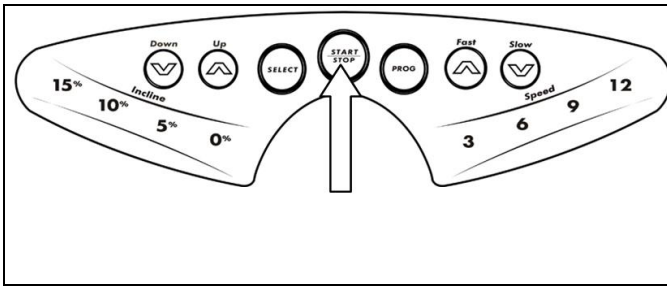
## TRAINING MONITOR



## FUNCTIONS

Time	00:00-99:59 Min
Speed	0.8-16 km/h
Incline	0-15 %
Distance	0.00-99.9 km
Calories	0-999 KCAL
Pulse	70-200 / Min
Program	P1-P25

## BUTTONS

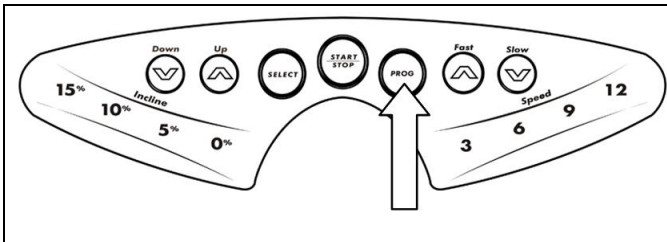


**START/ STOP:**

Press the START/STOP-KEY to begin your exercise.

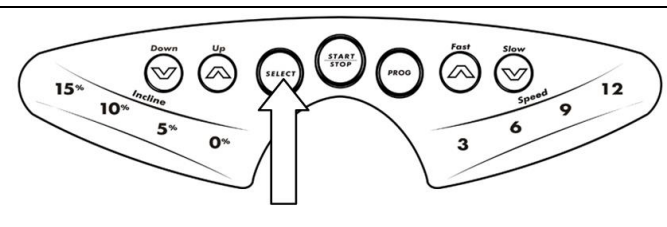
Press the START/STOP-KEY to pause the training.

Press the START/STOP-KEY to continue working.



**PROG:**

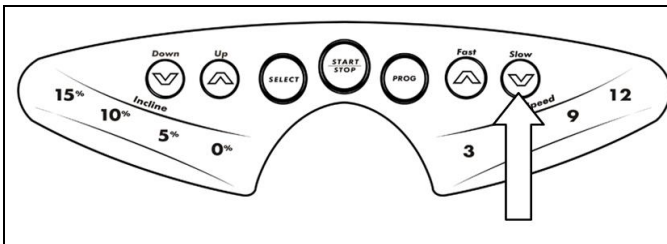
Press the PROG-KEY you can enter preset training programs selection.



**SELECT:**

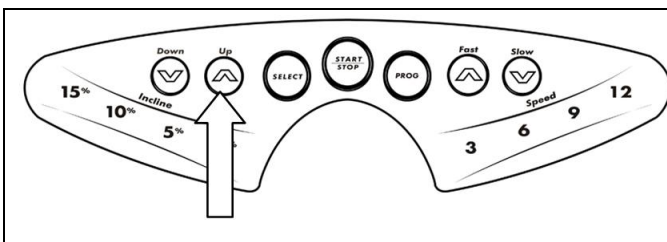
Use the SELECT key to select training speed and training time.

Press the START/STOP-KEY to begin training.



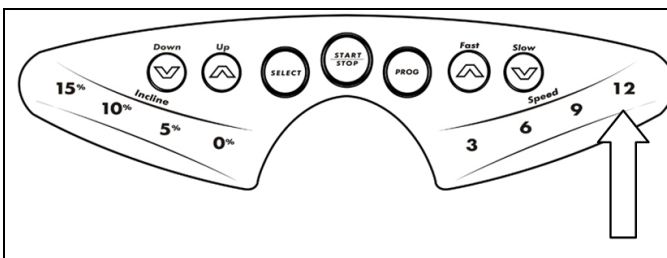
**FAST/SLOW:**

Press the FAST/SLOW key, you can choose a training speed or training time. (The selected function is flashing).



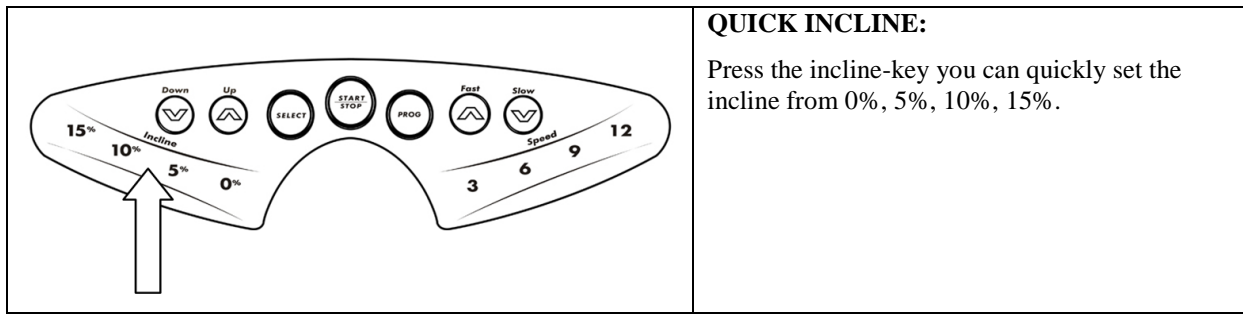
**UP/DOWN:**

Press the UP/DOWN key, you can choose a training incline or training time. (The selected function is flashing).



**QUICK SPEED:**

Press the speed-key you can quickly set the speed from 3, 6, 9, 12 km/h.



## DISPLAY

	<p><b>INCLINE</b> Shows the current running INCLINE.</p>
	<p><b>CALORIES</b> Shows estimated use of calories at the time of display.</p>
	<p><b>DISTANCE</b> Shows the completed or remaining distance in kilometres.</p>
	<p><b>TIME</b> Shows minutes and seconds of the elapsed or remaining time.</p>
	<p><b>SPEED</b> Shows the current running speed.</p>
	<p><b>PULSE</b> To show the current heart rate, touch both pulse sensors with your palms.</p>
	<p><b>PROGRAM</b> Shows the selected training program.</p>

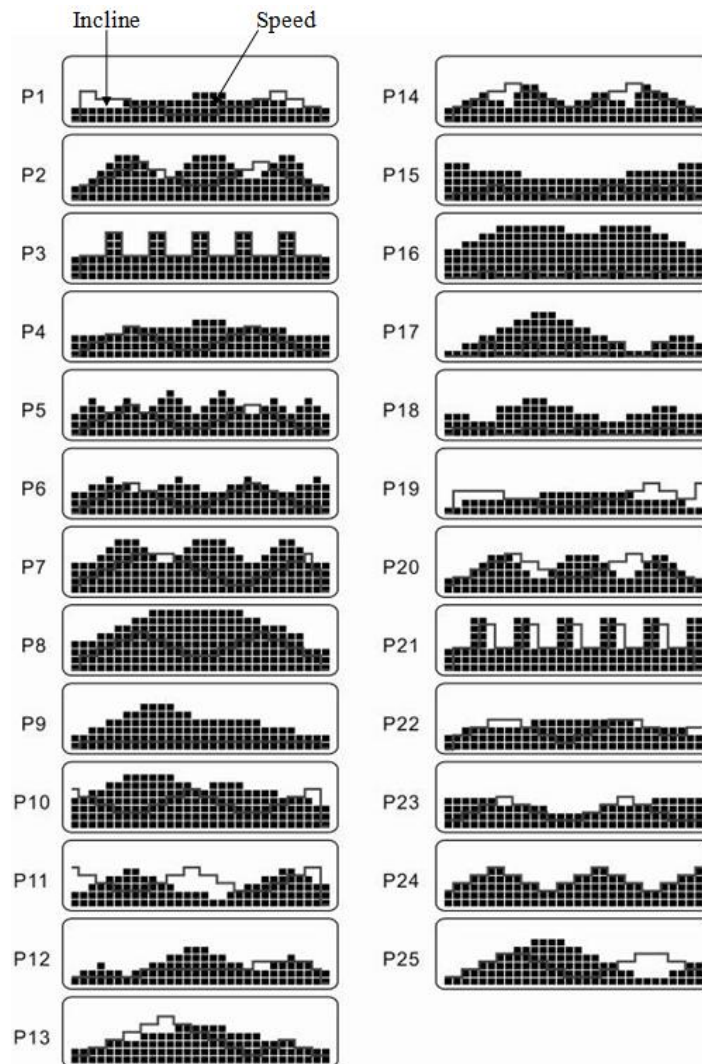
**SECURITY ALERT:** The user must not use the heart grip plate when the speed of treadmill is above 14KM/H.

**WARNING!** A system for monitoring heart rate may not be accurate. Overloading during training may cause serious injury or death. If you feel any discomfort, immediately stop the exercise!

## CHOOSING A PROGRAM (P1-P25)

1. Open ON/OFF switch.
2. Press program to enter preset programs (P1-P25).
3. Press FAST/ SLOW or UP/ DOWN to select programs (P1-P25).
4. Press SELECT to select time (P1-P25).

5. Press FAST/ SLOW or UP/ DOWN to set time.



## MAINTENANCE

Proper maintenance is very important to ensure a faultless and operational condition of the treadmill. Improper maintenance can cause damage to the treadmill or shorten the life of the product.

All parts of the treadmill must be checked and tightened regularly. Worn out parts must be replaced immediately.

## BELT ADJUSTMENT

You may need to adjust the running belt during the first few weeks of use. All running belts are properly set at the factory. It may stretch or be off centre after use. Stretching is normal during the break-in period.

### ADJUSTING THE BELT TENSION:

If the running belt feels as though it is “slipping” or hesitating when you plant your foot during a run, the tension on the running belt may have to be increased.

### TO INCREASE THE RUNNING BELT TENSION:

1. Place 8mm wrench on the left belt tension bolt. Turn the wrench clockwise 1/4 turn to draw the rear roller and increase the belt tension.
2. Repeat STEP 1 for the right belt tension bolt. You must be sure to turn both bolts the same number of turns, so the rear roller will stay square relative to the frame.
3. Repeat STEP 1 and STEP 2 until the slipping is eliminated.

4. Be careful not to tighten the running belt tension too much as you can create excessive pressure on the front and rear roller bearings. An excessively tightened running belt may damage the roller bearings that would result in bearing noise from the front and rear rollers.

**TO DECREASE THE TENSION ON THE RUNNING BELT, TURN BOTH BOLTS COUNTER-CLOCKWISE THE SAME NUMBER OF TURNS.**

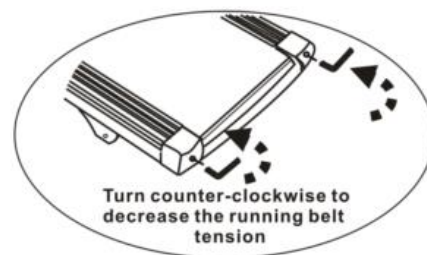
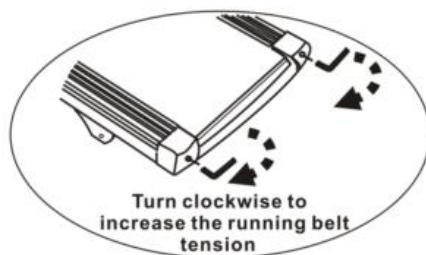
#### **CENTERING THE RUNNING BELT:**

When you run, you may push off harder with one foot than the other. The severity of the deflection depends on the amount of force that one foot exerts in the relation to the other. This deflection can cause the belt to move off- centre. This deflection is normal and the running belt will centre when nobody is on the running belt. If the running belt remains consistently off-centre, you will need to centre the running belt manually.

Start the treadmill without anyone on the running belt, press FAST-key until speed reached 6kph.

- Observe whether the running belt is toward the right or left side of the deck. If toward the left side of the deck, using wrench, turn the left adjustment bolt clockwise 1/4 turn and the right adjustment bolt counter clockwise 1/4. If toward the right side of the deck, turn the right adjustment bolt clockwise 1/4 turn and the left adjustment bolt counter clockwise 1/4. If the belt is still not centre, repeat the above step until the running belt is on centre.
- After the belt is centre, increase the speed to 16kph and verify that it is running smoothly. Repeat the above steps if it is necessary.

If the above procedure is unsuccessful in resolving the off-centre, you may need to increase the belt tension.



## **LUBRICATION**

The treadmill is factory-lubricated. However, it is recommended to check the lubrication of the treadmill regularly, to ensure an optimal operation of the treadmill. It is usually not necessary to lubricate the treadmill in the first year or the first 500 hours of operation.

After every 3 months of operation, lift the sides of the treadmill and feel the surface of the belt, as far as possible. If traces of silicon spray are found, lubrication is not necessary. In case of a dry surface refer to the following instructions.

Only use oil free silicon spray.

#### **APPLICATION OF LUBRICANT ON THE BELT:**

- Position the belt so that the seam is located in the middle of the plate.
- Insert the spray valve in the spray head of the lubricant container.
- Lift the belt at one side and hold the spray valve in a distance to the front end of striding belt and plate. Start at the front end of the belt. Lead the spray valve in direction of the back end. Repeat this process on the other side of the belt. Spray each side for about 4 seconds.
- Wait 1 minute to let the silicon spray spread, before starting the machine.

## **CLEANING**

Regular cleaning of the striding belt ensures a long product life.

- **Warning:** The treadmill must be turned off to avoid electrical shocks. The power cord must be pulled out of the socket, before starting the cleaning or maintenance.
- **After each training:** Wipe the console and other surfaces with a clean soft and damp cloth to remove sweat residues.
- **Caution:** Do not use any abrasives or solvents. To avoid damage to the computer, keep any liquids away. Do not expose the computer to direct sunlight.
- **Weekly:** To make the cleaning easier it is recommended to use a mat for the treadmill. Shoes can leave dirt on the striding belt that can fall beneath the treadmill. Clean the mat under the treadmill once a week.

## STORAGE

Store your treadmill in a clean and dry environment. Ensure the master power switch is off and is un-plugged from the electrical wall outlet.

## IMPORTANT NOTES

- The device corresponds to current safety standards. The device is only suitable for home use. Any other use is impermissible and possibly even dangerous. We cannot be held liable for damages that were caused by improper usage.
- Please consult your GP before starting your exercise session to clarify whether you are in suitable physical health for exercising with this device. The doctor's diagnosis should be the basis for the structure of your exercise program. Incorrect or excessive training could be harmful to your health.
- Carefully read through the following general fitness tips and the exercise instructions. If you have pain, shortness of breath, feel unwell or have other physical complaints, break off the exercise immediately. Consult a doctor immediately if you have prolonged pain.
- This fitness device is not suitable for professional or medical use, nor may it be used for therapeutic purposes.
- The pulse sensor is not a medical device. It is meant for your information purposes only and is designed to give an average pulse rate. It is not intended to offer medical advice nor will it measure pulse accurately every time, due to differing environmental and human conditioning factors.

## TROUBLESHOOTING

ERROR CODE	CAUSE	SOLUTION
E0	Not equip Safety key	Please equip the Safety key.
E1	Speed feedback equipment err	1. Please check Speed feedback equipment and 10-pin cable or contact special service. 2. Caused by overload of the user weight, 3 lights display at the same time on the controller. Please switch off the power, and restart in 30 seconds.
E2	Motor or Motor drive err	Please check PIN cable or contact special service.
E3	The error of Speed over limit	Adjust Speed feedback equipment or contact special service.

This treadmill is designed to be reliable and easy to use. However, if you experience a problem, please reference the trouble shooting guide listed below:

**PROBLEM:** The console does not light up.

**SOLUTION:** Verify that the power cord is plugged in properly to the outlet, and the treadmill switch is turned on.



**PROBLEM:** The treadmill circuit breaker trips during a workout.

**SOLUTION:** Verify that the treadmill is plugged into a dedicated 20amp circuit.

\*Note: No extension cord.

**PROBLEM:** The treadmill shuts off when elevating.

**SOLUTION:** Verify that there is enough slack in the power cord to reach to the wall outlet during elevation.

**PROBLEM:** The running belt does not stay centre during a workout.

**SOLUTION:** Verify that the treadmill is on a level surface. Verify that the belt is properly tightened. (Refer to belt adjustment)

**PROBLEM:** The treadmill makes a clicking noise towards the front of the machine while walking or running on it.

**SOLUTION:** For optimum use, the treadmill needs to be level.

## GENERAL FITNESS TIPS

Start your exercise program slowly, i.e. one exercise unit every 2 days. Increase your exercise session week by week. Begin with short periods per exercise and then increase these continually. Start slowly with the exercise sessions and don't set yourself impossible targets. In addition to these exercises, do other forms of exercise such as jogging, swimming, dancing and/or cycling.

Always warm up thoroughly before exercising. To do so, carry out at least five minutes of stretching or gymnastic exercises to avoid muscle strains and injuries.

Check your pulse regularly. If you do not have a pulse measuring instrument, ask your GP how you can measure your heart rate effectively. Determine your personal exercise frequency range to achieve optimal training success. Take into account both your age and your level of fitness. The table below will give you a reference point for determining the optimal exercise pulse.

Make sure you breathe regularly and calmly when exercising.

Take care to drink enough while exercising. This ensures that the liquid requirement of your body is satisfied. Consider that the recommended drinking amount of 2-3 liters per day is strongly increased through physical strain. The fluid you drink should be at room temperature.

When exercising on the device always wear light and comfortable clothing as well as sports shoes. Do not wear any loose clothing that could tear or become caught in the device whilst exercising.

### Exercises for your personal work-out

How high or low should your heart rate be during exercises?

Your GP can give your more information on the current guidelines.

Age	Heart rate frequency range 50-75% (beats per minute) - ideal training pulse -	Maximum heart rate frequency 100%
20 years	100-150	200
25 years	98-146	195
30 years	95-142	190
35 years	93-138	185
40 years	90-135	180
45 years	88-131	175
50 years	85-127	170
55 years	83-123	165
60 years	80-120	160
65 years	78-116	155
70 years	75-113	150

COPYRIGHT(c) 1997 AMERICAN HEART ASSOCIATION

## **WARM-UP / STRETCHING EXERCISES**

A successful exercise session begins with warming up exercises and ends with exercises for cooling down and relaxing. These warming up exercises prepare your body for the subsequent demands made upon it. The cooling down / relaxation period after the exercise session ensures that you do not experience any muscular problems. In the following you will find stretching exercise instructions for warming up and cooling down. Please pay attention to the following points:

### **NECK EXERCISES**

Tilt your head to the right and feel the tension in your neck. Slowly drop your head down to your chest in a semi-circle and then turn your head to the left. You will feel a comfortable tension in your neck again. You can repeat this exercise alternately several times.



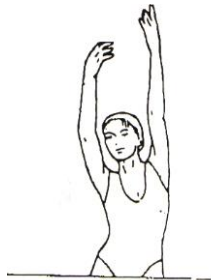
### **EXERCISES FOR THE SHOULDER AREA**

Lift the left and right shoulders alternately, or lift both shoulders simultaneously.



### **ARM STRETCHING EXERCISES**

Stretch the left and right arms alternately towards the ceiling. Feel the tension in your left and right side. Repeat this exercise several times.



### **EXERCISES FOR THE UPPER THIGH**

Support yourself by placing your hand on the wall, then reach down behind you and lift up your right or left foot as close to your buttocks as possible. Feel a comfortable tension in your front upper thigh. Maintain this position for 30 seconds if possible and repeat this exercise 2 times for each leg.



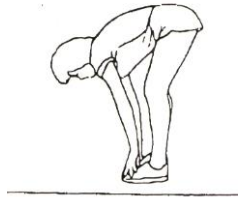
### **INSIDE UPPER THIGH**

Sit on the floor and place your feet in such a way that your knees are facing outwards. Pull your feet as close as possible to your groin. Now press your knees carefully downwards. Maintain this position for 30-40 seconds if possible.



### **TOUCH TOES**

Bend your trunk slowly forwards and try to touch your feet with your hands. Reach down as far as possible to your toes. Maintain this position for 20-30 seconds if possible.



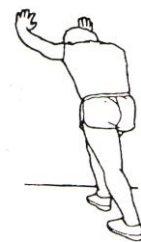
### **EXERCISES FOR THE KNEES**

Sit on the floor and stretch out your right leg. Bend your left leg and place your foot on your right upper thigh. Now try to reach your right foot with your right arm. Maintain this position for 30-40 seconds if possible.



### **EXERCISES FOR THE CALVES/ACHILLES TENDON**

Place both hands on the wall and support your full body weight. Then move your left leg backwards and alternate it with your right leg. This stretches the back of the leg. Maintain this position for 30-40 seconds if possible.



## **TERMS AND CONDITIONS OF WARRANTY, WARRANTY CLAIMS**

### **General Conditions of Warranty and Definition of Terms**

All Warranty Conditions stated hereunder determine Warranty Coverage and Warranty Claim Procedure. Conditions of Warranty and Warranty Claims are governed by Act No. 40/1964 Coll. Civil Code, Act No. 513/1991 Coll., Commercial Code, and Act No. 634/1992 Coll., Consumer Protection Act, as amended, also in cases that are not specified by these Warranty rules.

The seller is SEVEN SPORT s.r.o. with its registered office in Borivojova Street 35/878, Prague 13000, Company Registration Number: 26847264, registered in the Trade Register at Regional Court in Prague, Section C, Insert No. 116888.

According to valid legal regulations it depends whether the Buyer is the End Customer or not.

“The Buyer who is the End Customer” or simply the “End Customer” is the legal entity that does not conclude and execute the Contract in order to run or promote his own trade or business activities.

“The Buyer who is not the End Customer” is a Businessman that buys Goods or uses services for the purpose of using the Goods or services for his own business activities. The Buyer conforms to the General Purchase Agreement and business conditions to the extent specified in the Commercial Code.

These Conditions of Warranty and Warranty Claims are an integral part of every Purchase Agreement made between the Seller and the Buyer. All Warranty Conditions are valid and binding, unless otherwise specified in the Purchase Agreement, in the Amendment to this Contract or in another written agreement.

## **Warranty Conditions**

### **Warranty Period**

The Seller provides the Buyer a 24 months Warranty for Goods Quality, unless otherwise specified in the Certificate of Warranty, Invoice, Bill of Delivery or other documents related to the Goods. The legal warranty period provided to the Consumer is not affected.

By the Warranty for Goods Quality, the Seller guarantees that the delivered Goods shall be, for a certain period of time, suitable for regular or contracted use, and that the Goods shall maintain its regular or contracted features.

### **The Warranty does not cover defects resulting from:**

User’s fault, i.e. product damage caused by unqualified repair work, improper assembly, insufficient insertion of seat post into frame, insufficient tightening of pedals and cranks

Improper maintenance

Mechanical damages

Regular use (e.g. wearing out of rubber and plastic parts, joints etc.)

Unavoidable event, natural disaster

Adjustments made by unqualified person

Improper maintenance, improper placement, damages caused by low or high temperature, water, inappropriate pressure, shocks, intentional changes in design or construction etc.

### **Warranty Claim Procedure**

The Buyer is obliged to check the Goods delivered by the Seller immediately after taking the responsibility for the Goods and its damages, i.e. immediately after its delivery. The Buyer must check the Goods so that he discovers all the defects that can be discovered by such check.

When making a Warranty Claim the Buyer is obliged, on request of the Seller, to prove the purchase and validity of the claim by the Invoice or Bill of Delivery that includes the product’s serial number, or eventually by the documents without the serial number. If the Buyer does not prove the validity of the Warranty Claim by these documents, the Seller has the right to reject the Warranty Claim.

If the Buyer gives notice of a defect that is not covered by the Warranty (e.g. in the case that the Warranty Conditions were not fulfilled or in the case of reporting the defect by mistake etc.), the Seller is eligible to require a compensation for all the costs arising from the repair. The cost shall be calculated according to the valid price list of services and transport costs.

If the Seller finds out (by testing) that the product is not damaged, the Warranty Claim is not accepted. The Seller reserves the right to claim a compensation for costs arising from the false Warranty Claim.

In case the Buyer makes a claim about the Goods that is legally covered by the Warranty provided by the Seller, the Seller shall fix the reported defects by means of repair or by the exchange of the damaged part or product for a new one. Based on the agreement of the Buyer, the Seller has the right to exchange the defected Goods for a fully compatible Goods of the same or better technical characteristics. The Seller is entitled to choose the form of the Warranty Claim Procedures described in this paragraph.

The Seller shall settle the Warranty Claim within 30 days after the delivery of the defective Goods, unless a longer period has been agreed upon. The day when the repaired or exchanged Goods is handed over to the Buyer is considered to be the day of the Warranty Claim settlement. When the Seller is not able to settle the Warranty

Claim within the agreed period due to the specific nature of the Goods defect, he and the Buyer shall make an agreement about an alternative solution. In case such agreement is not made, the Seller is obliged to provide the Buyer with a financial compensation in the form of a refund.



**SEVEN SPORT s.r.o.**

Registered Office: Borivojova 35/878, 130 00 Praha 3, Czech Republic  
Headquarters: Delnicka 957, 749 01 Vitkov, Czech Republic  
Warranty & Service Centre: Cermenska 486, 749 01 Vitkov, Czech Republic  
CRN: 26847264  
VAT ID: CZ26847264  
Phone: +420 556 300 970  
E-mail: eshop@insportline.cz  
reklamace@insportline.cz  
servis@insportline.cz  
Web: www.insportline.cz

---

**SK**

**INSPORTLINE s.r.o.**

Headquarters, Warranty & Service centre: Elektricna 6471, 911 01 Trencin, Slovakia  
CRN: 36311723  
VAT ID: SK2020177082  
Phone: +421(0)326 526 701  
E-mail: objednavky@insportline.sk  
reklamacie@insportline.sk  
servis@insportline.sk  
Web: www.insportline.sk

Date of Sale:

Stamp and Signature of Seller: