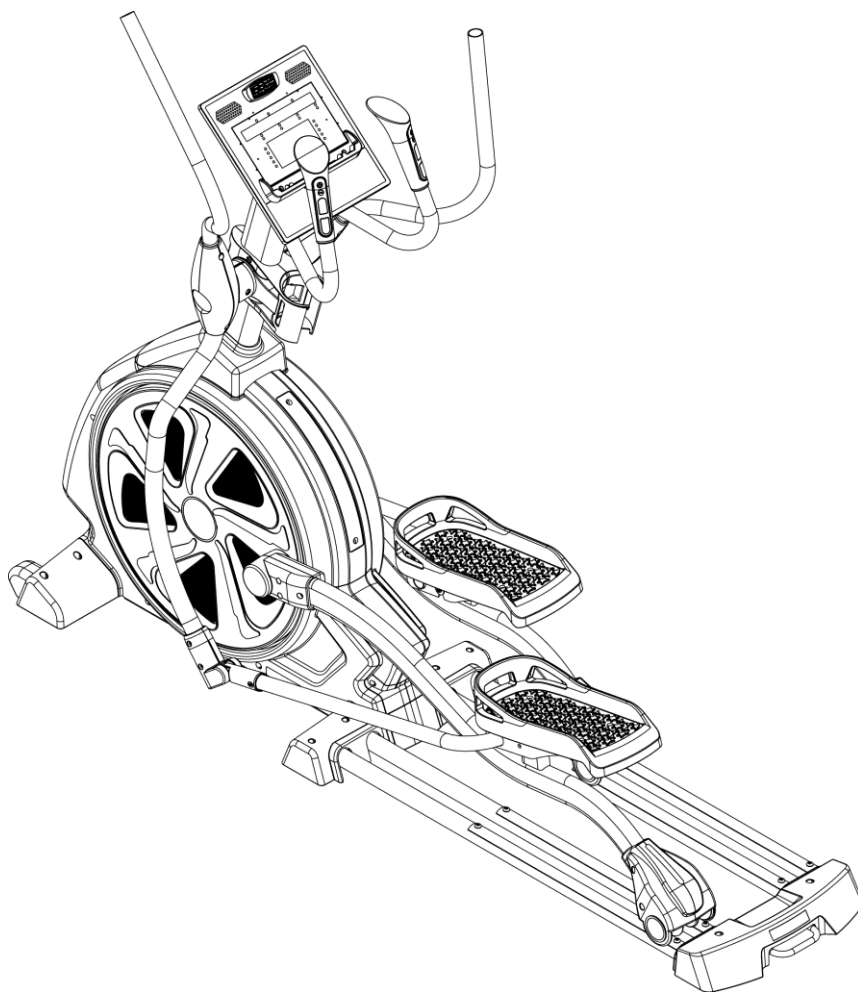




USER MANUAL – EN
IN 14171 Elliptical Trainer inSPORTline Galicum



CONTENTS

- SAFETY INSTRUCTIONS..... 3
- PRODUCT SPECIFICATION 4
- ASSEMBLE PART LIST 4
- OTHER COMPONENTS 6
- PART LIST..... 7
- ASSEMBLY STEPS 8
- EXPLODED DRAWING..... 17
- PART LIST..... 18
- COMPUTER OPERATION INSTRUCTIONS..... 24
 - BASIC INFORMATION 24
 - START WINDOWS AND STARTING 24
 - KEY FUNCTION 25
- PROGRAM FUNCTION 26
 - P1 – MANUAL MODE..... 26
 - P2 – RANDOM MODE 26
 - P3 – WEIGHT LOSS MODE 26
 - P4 – CV WORKOUT MODE 26
 - P5 – HILL INTERVALS MODE 27
 - P6 – FITNESS TEST MODE 27
 - P7 – HRC 1 MODE 27
 - P8 – HRC 2 MODE 27
 - P9 – USER 1 MODE 28
 - P10 – USER 2 MODE..... 28
- PROFILE FIGURE..... 29
- BLUETOOTH COMPUTER APP (iOS&Android) OPERATION INSTRUCTIONS..... 29
 - FOR iOS DEVICE (iPAD) 29
 - FOR ANDROID DEVICE 31
- TERMS AND CONDITIONS OF WARRANTY, WARRANTY CLAIMS..... 34

SAFETY INSTRUCTIONS

When using this product, the following basic precautions should always be followed. Please read the instructions carefully before using this product.

DANGER

Always unplug this product from the electrical outlet immediately after using it and also before cleaning. You will avoid the risk of an electric shock.

WARNING

To reduce the risk of burns, fire, electric shock or physical injury:

1. When you insert the plug, please pay attention to its condition to avoid danger.
2. Step onto the machine before using it, not the other way around. Take out the plug if you are not using the machine.
3. To avoid any danger, disabled people must be supervised while using the machine.
4. People with impaired physical, senses or mental capabilities (including children) or someone less experienced cannot use this machine without supervision. Children cannot use the machine.
5. Incorrect or excessive training may endanger your health.
6. Be sure to use the product only for its intended purpose as described in this manual. Do not use any attachments not recommended by the manufacturer in order to avoid danger or accidents.
7. Never operate the product if the cord or plug was damaged, if it is not working properly, or if it was dropped into water. Please return the product to the service center of the seller for examination and repair.
8. Do not carry this product by the supply cord or use the cord as a handle.
9. Keep the cord away from hot surfaces.
10. Never operate the product with the air vents blocked. Keep the air vents free of lint, hair, etc.
11. Never drop or insert any objects into any vent of the product. No adjustable part should stand out and limit the user's movements.
12. Do not use this machine outdoors.
13. Please put this product on flat surface or platform.
14. Keep a minimal safety area of 0,6 m around the machine.
15. Do not operate where aerosol (spray) products are being used or where oxygen is thin.
16. Before turning the product power off, turn off all the controls and then remove the plug from the outlet.
17. Connect the product to a properly grounded outlet only.
18. This product only can be used for commercial purposes.
19. Please check the machine regularly to confirm if it is damaged or not, you'll be ensuring its long-term safety.
20. The brake system is controlled by the speed under the watts mode. Under any other mode, it is not dependent on speed.
21. Stride length: 510 mm. Weight of the flywheel: 14.5 kg.

22. **Weight limit:** 150 kg.

23. **Category: SA** (according to EN957 norm) suitable for professional and/or commercial using.

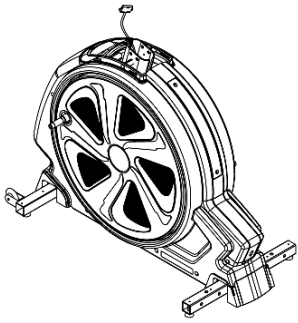
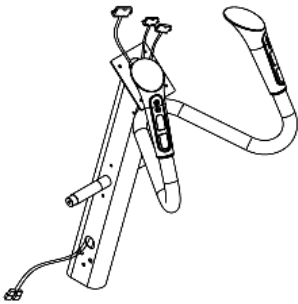
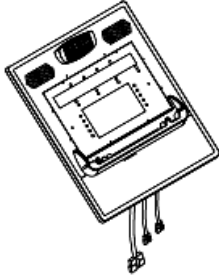
24. **WARNING!** The heart rate frequency monitoring may not be completely accurate. Overexertion during training can lead to a serious injury or even death. If you start to feel faint, stop the exercise immediately.

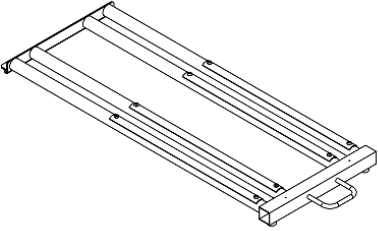
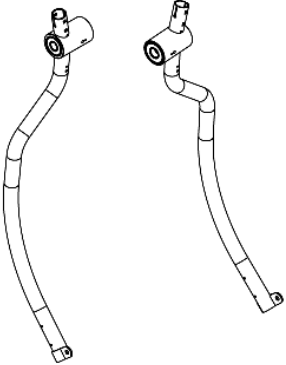
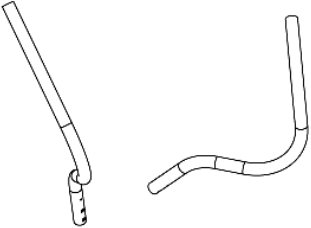
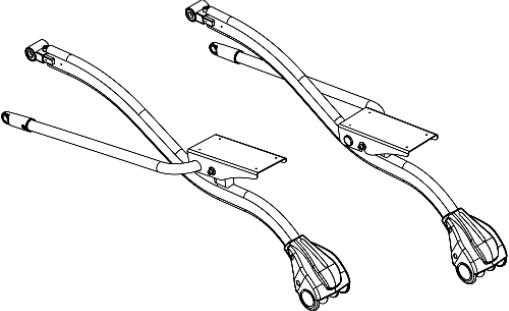
PRODUCT SPECIFICATION

CAUTION: According to this manual's guidance, the machine is operated while the user sits on the machine and faces the computer.

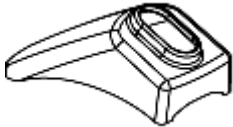


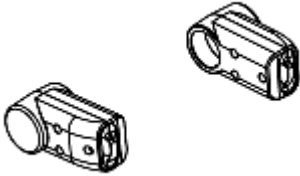
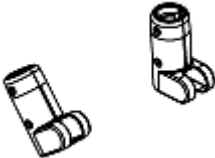
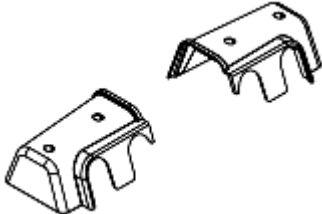
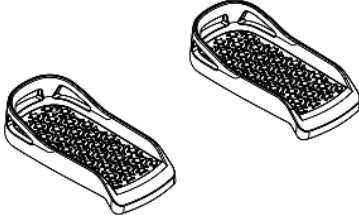
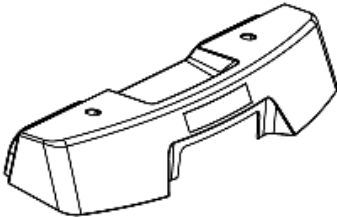
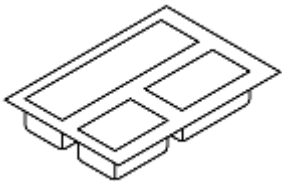

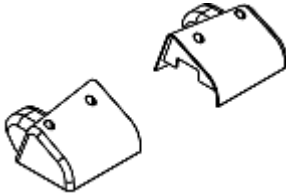
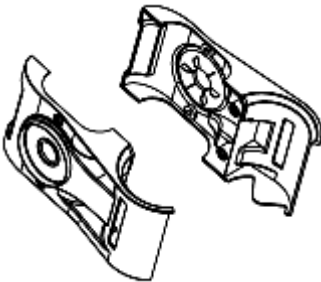
User Weight	330 lbs / 150 kg
Size	214.5 x 172.5 x 63 cm
G.W.	98 kg
N.W.	88 kg
Power Spec.	15V/1A DC, power supplier (power charger)

ASSEMBLE PART LIST

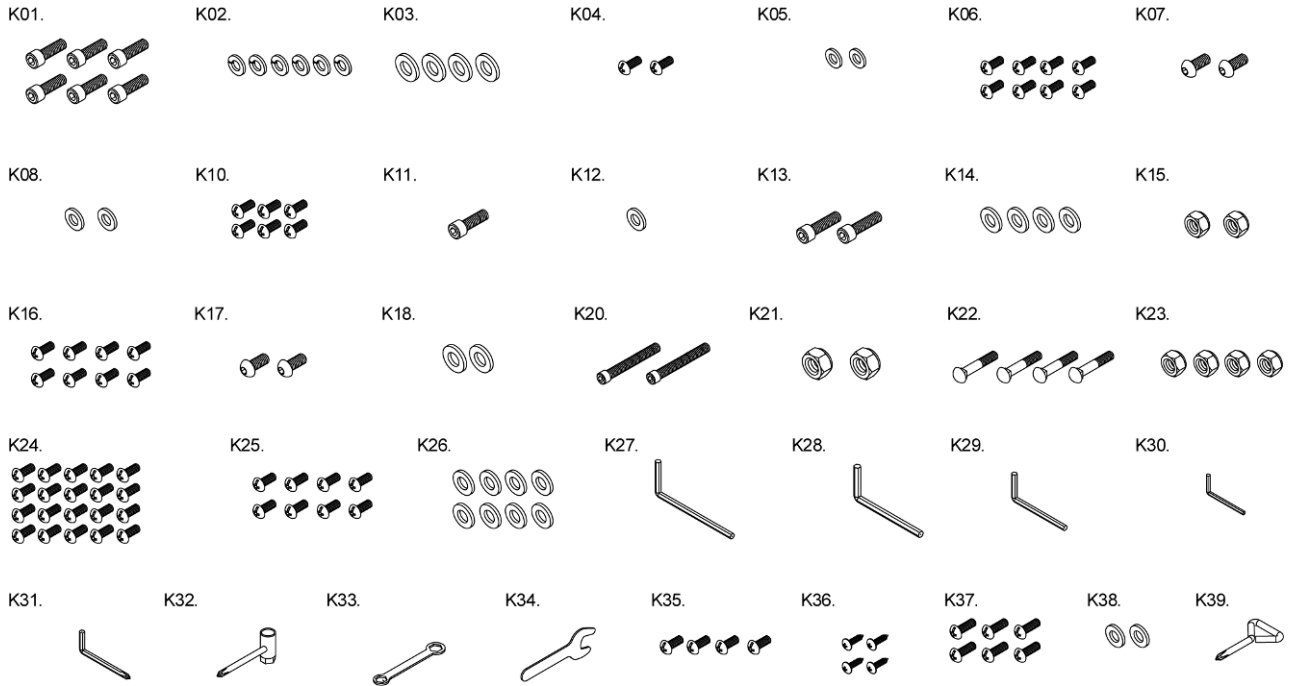
	A. Frame
	B. Control tube
	C. Computer

 A technical drawing of a rear stabilizer assembly, showing a rectangular frame with multiple parallel bars and a small hook-like component at one end.	<p>D. Rear stabilizer</p>
 Two technical drawings of curved swing poles, each with a mounting bracket at the top and a hook-like end.	<p>E. Swing pole (L/R)</p>
 Two technical drawings of handrail tubes, one straight and one curved, both with a hook-like end.	<p>F. Handrail tube (L/R)</p>
 Two technical drawings of pedals, each with a curved frame, a mounting bracket, and a footrest.	<p>G. Pedal (L/R)</p>

OTHER COMPONENTS

		
<p>H. Middle tube cover</p>	<p>I. Neck cover</p>	<p>J. Hand grip decorative cover</p>
		
<p>K. Bent tube cover</p>	<p>L. Post decorative cover</p>	<p>M. Rear stabilizer</p>
		
<p>N. Pedals</p>	<p>P. Rear decorative cover</p>	<p>Q. Screw cover</p>
		
<p>R. Power supplier</p>	<p>S. Forefoot stabilizer</p>	<p>T. Cup holder assembly</p>

PART LIST



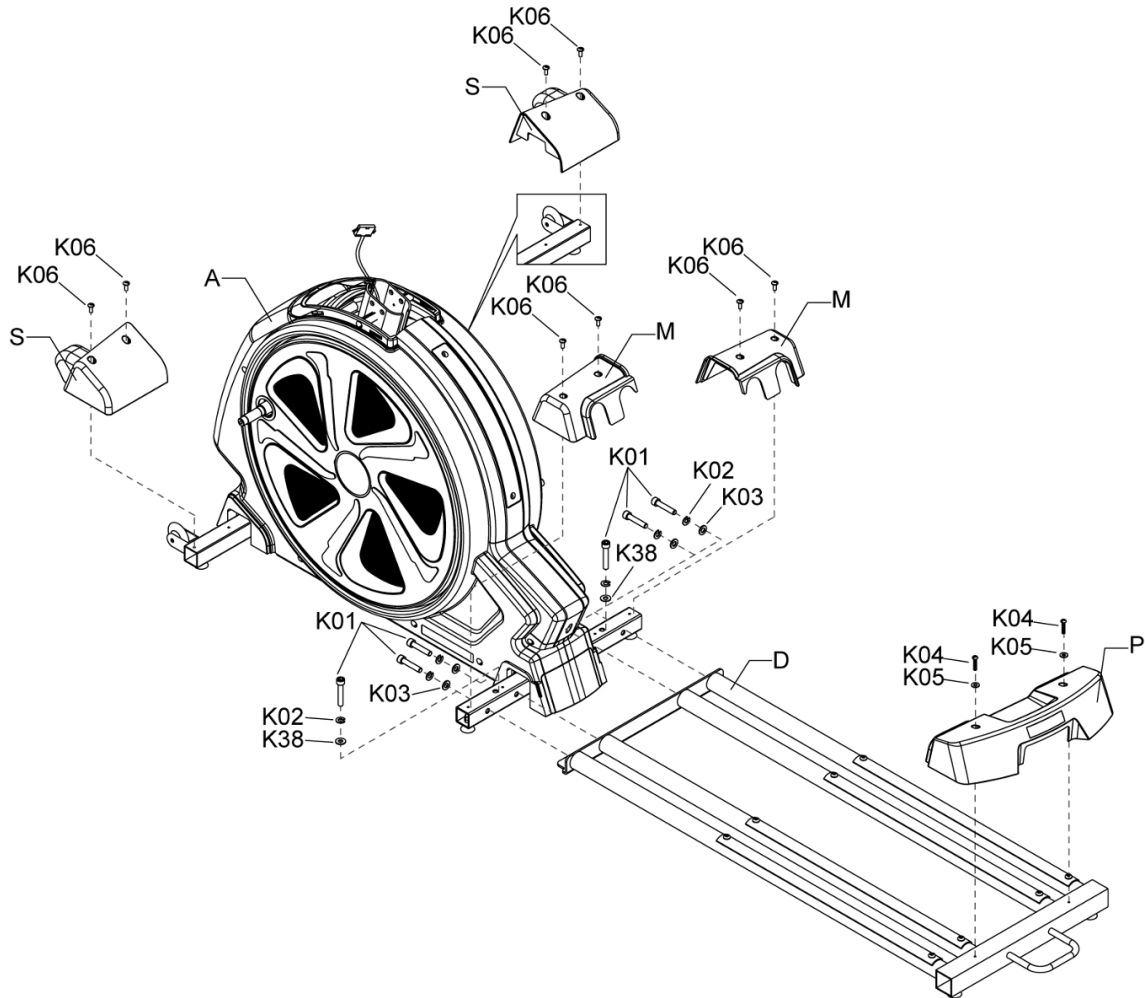
STEP	ITEM	Description	Qty	STEP	ITEM	Description	Qty
Step1	K01	CKS hex screw M10X55	6	Step5	K17	Truss hex screw M8X20	2
	K02	Spring washer M10	6		K18	Washer Ø8.5XØ30X2.0t	2
	K03	Washer Ø10XØ30X3.0t	4		K20	CKS hex screw M12X35	2
	K04	Truss cross screw M5X10	2	K21	Nylon nut M12	2	
	K05	Washer Ø5XØ10X1.0t	2	Step6	K22	Carriage screw M8X45	4
	K06	Truss cross screw M5X10	8		K23	Nylon nut M8	4
	Step2	K38	Washer Ø10XØ16X1.0t	2	Step7 Step8	K24	Truss cross screw M5X10
K07		Truss hex screw M8X15	2	K36		Truss cross screw Ø4X16	2
K08		Washer Ø8XØ25X2.0t	2	Step9	K37	Truss cross screw M5X12	6
K10	Truss cross screw M5X12	6	K25		Truss cross screw M5X10	8	
Step3	K11	CKS hex screw M8X15	1	tool	K26	Washer Ø5XØ10X1.0t	8
	K12	Washer Ø8XØ25X2.0t	1		K27	L shaped hex wrench 10x43x103mm	1
	K13	CKS hex screw M10X70	2		K28	L shaped hex wrench 8x75x150mm	1
	K14	Washer Ø10XØ20X1.0t	4		K29	L shaped hex wrench 6mm	1
	K15	Nylon nut M10	2		K30	L shaped hex wrench 5x25x67mm	1
	K35	Truss cross screw M5X15	4		K31	L shaped hex wrench +cross screwdriver 5x40x180mm	1
	K36	Truss cross screw Ø4X16	2		K32	Bushing wrench+cross screwdriver 13+17mm	1
Step 4	K16	Truss cross screw M5X12	8	K33	Lug shaped wrench 19+13mm	1	
				K34	Opened wrench 10mm	1	
				K39	PHILIPS SCREWDRIVER	1	

ASSEMBLY STEPS

Step. 1 – Frame and stabilizer assembly

- 1 Tighten the rear stabilizer (D) and the frame (A) with screws (K01), spring washers (K02) and washers (K03, K38).
- 2 Tighten the front stabilizer cover set (S) and the rear stabilizer cover set (M) on the frame (A) with screws (K06).
- 3 Cover with rear decorative cover (P) and tighten with screws (K04) and washers (K05).

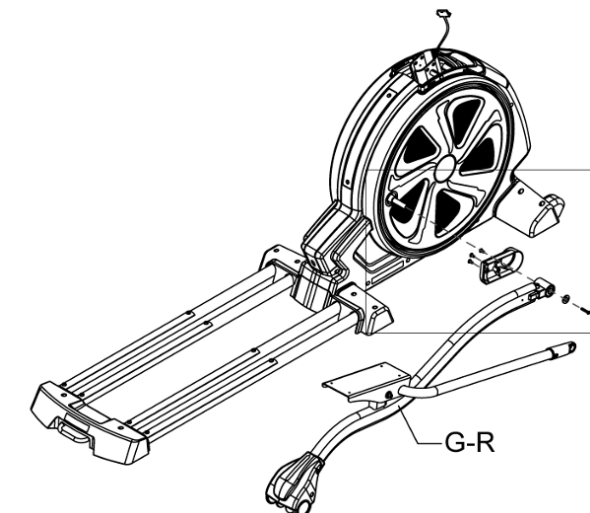
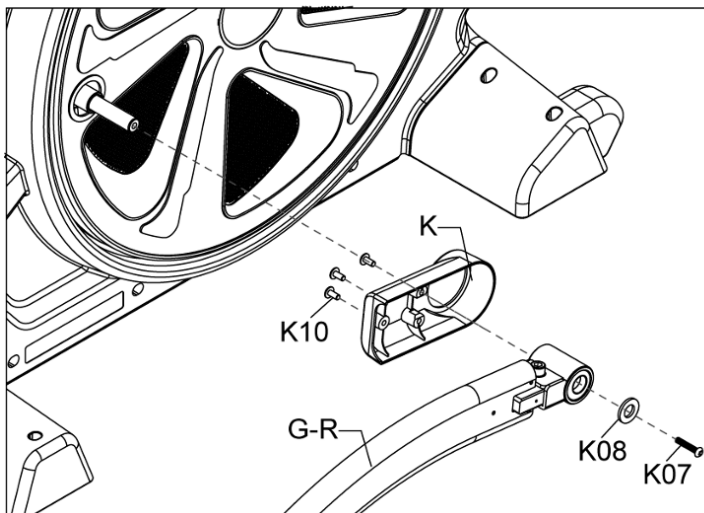
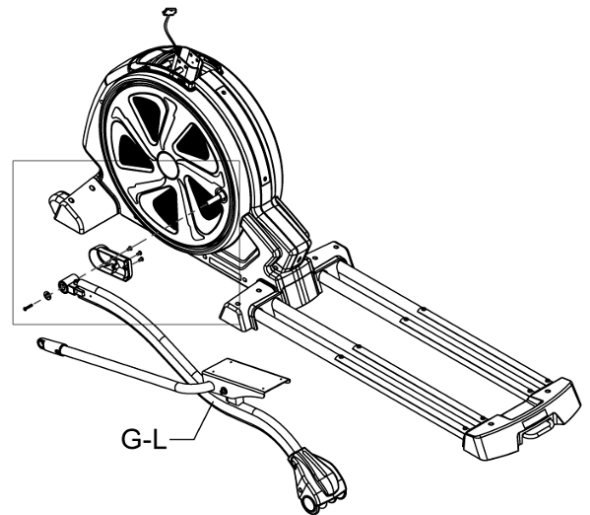
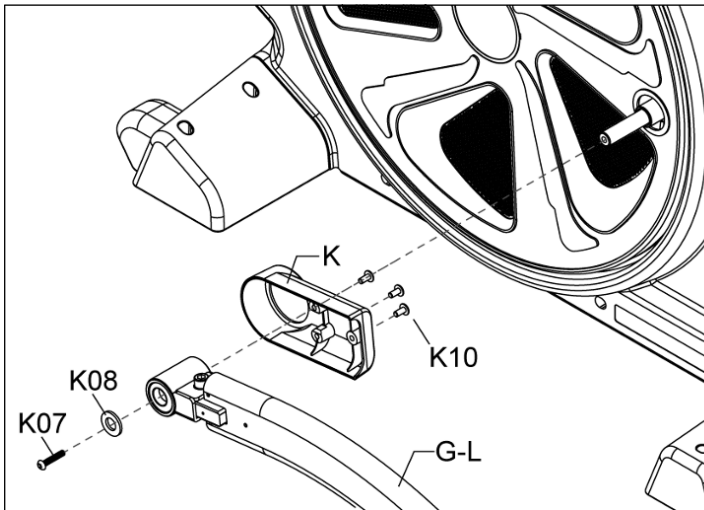
CAUTION: While affixing the rear stabilizer cover, please confirm that they match each other and if the rear stabilizer cover has locked onto the iron tube.



Step 2 – Pedals and frame assembly

1. Affix the bending tube cover (K, S) onto the left fitness pedal (G-L) and tighten it with screws (K10). Then attach the left fitness pedal (G-L) to the crank shaft of the left frame and tighten it with screws (K07) and washers (K08).
2. Affix the bending tube cover (K, S) to the right fitness pedal (G-R) and tighten it with screws (K10). Then attach the right fitness pedal (G-R) to the crank shaft of the right frame and tighten it with screws (K07) and washers (K08).

CAUTION: Make sure the foot pedal iron tube and the crank shaft are tightened well to avoid possible accidents caused by loose connections.

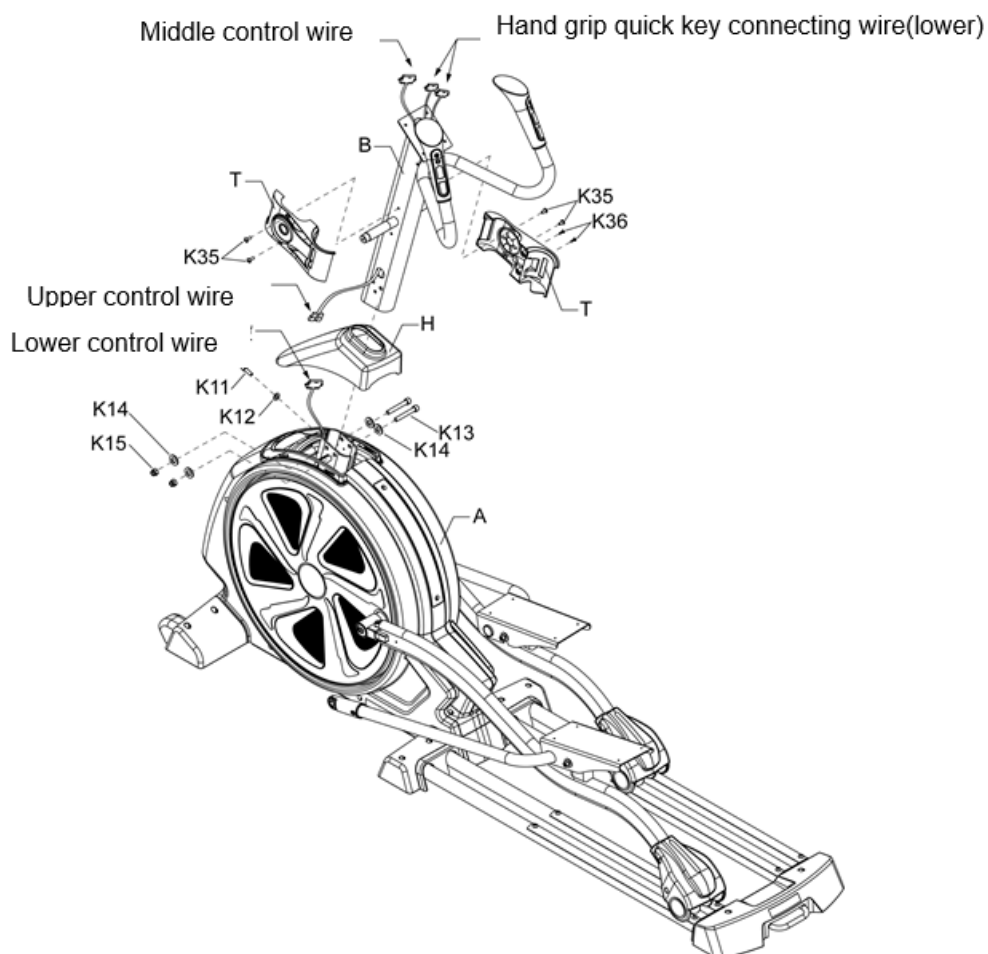


Step 3 – Control tube and frame assembly

- 1 Attach the control tube (B) to the middle tube cover (H). Then please attach the control iron tube to the frame iron tube and affix the front and the sides of the iron tube with screws and washers (K11, K12, K13, K14, K15).
- 2 After connecting the control wire, push the middle tube cover (H) down and affix it.
- 3 Affix the cup holder assembly (T) to the control tube (B) with screws (K35, K36).

CAUTION:

- The assembly should be carried out by two people, one to grip the control tube, and the other to assemble the control tube and frame and then tighten the screws.
- After fixing the screws, please connect the control signal wire while paying attention to the wires' direction, do not force them into each other.
- After connecting the wires, press on the control tube plastic and affix it.
- While tightening the screws, please be careful to not drop the screws into the frame.

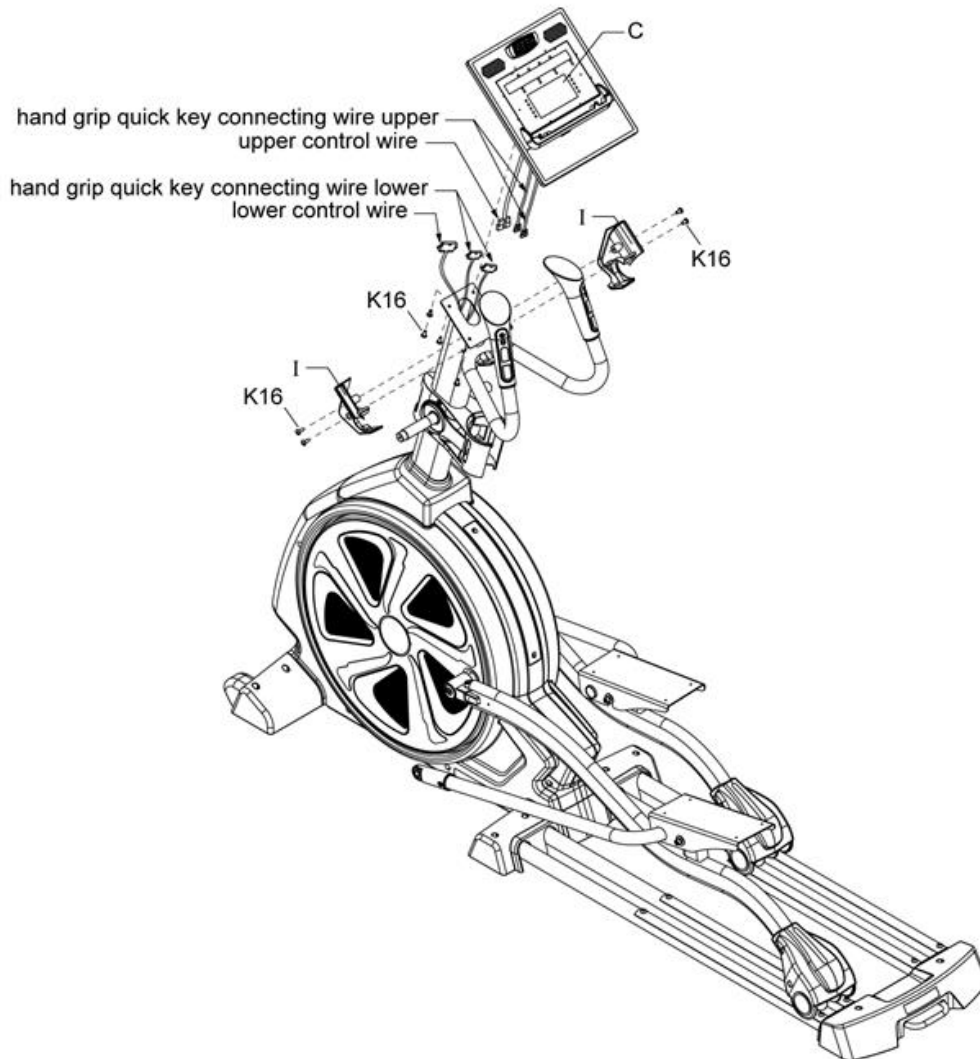


Step 4 – Control tube and computer assembly

1. Connect the wires as showed below. Pay attention to the direction and do not force them into each other.
2. Match the screw holes on back of computer (C) with the screw holes on the control tube and tighten computer with screws (K16). During assembly, please confirm that the screws are fixed to avoid any damage to the computer.
3. At last, tighten the neck cover (I) with screws (K16) so that it doesn't press onto the wires.

CAUTION:

- Make sure the computer faces the right direction.
- The computer wire must be matched with the computer shelf's hole to avoid the wires bending and causing a short-circuit.

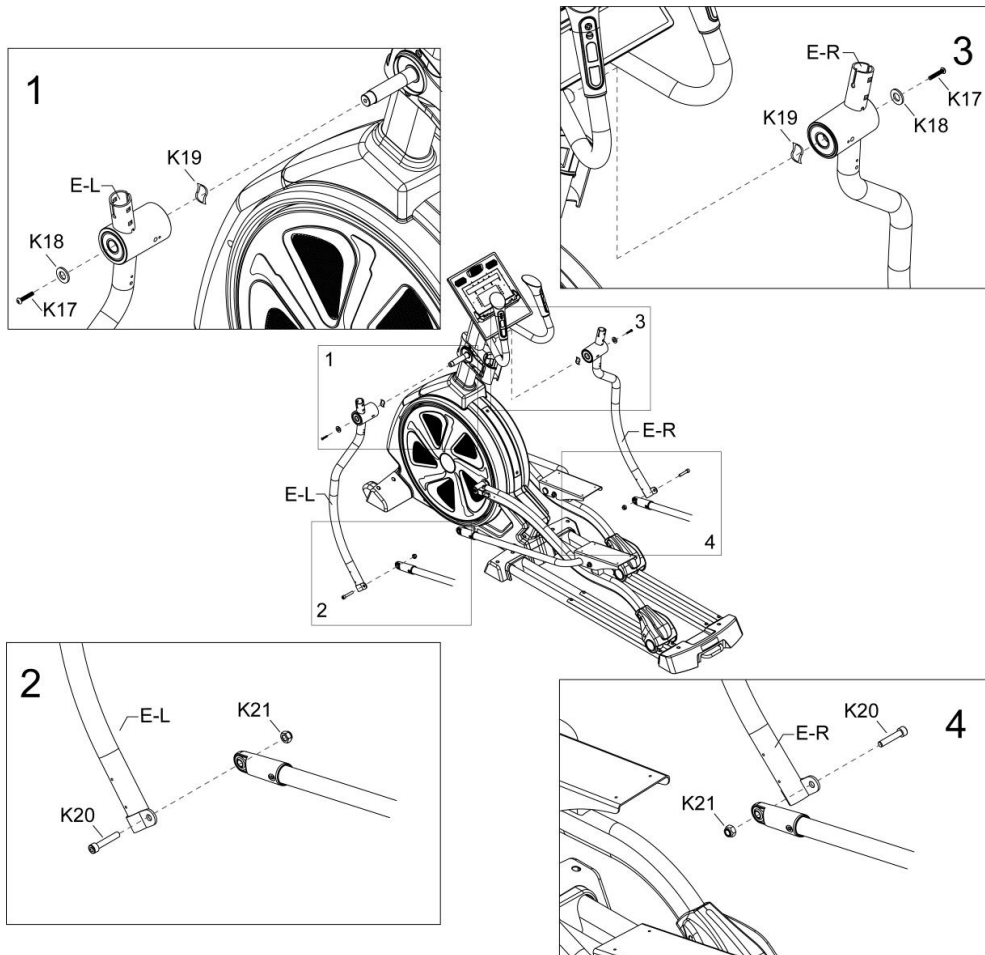


Step 5 – Poles assembly

1. Place the washer (K18), wave washer (K19) as shown below, then attach the upper end tube of left handrail (E-L) to the iron core of the control tube and tighten it with screws (K17).
2. Assemble the left lower side after finishing the left upper side assembly. Match the lower end plate on the left handrail to the end of the fitness pole, then tighten with screws (K20, K21).
3. Place the washer (K18) and wave washer (K19) as shown below, then attach the upper end tube of the right handrail (E-R) to the iron core of the control tube and tighten it with screws (K17).
4. Assemble the right lower side after finishing the right upper side assembly. Match the lower end plate of the right handrail to the end of the fitness pole, then tighten with screws (K20, K21).

CAUTION:

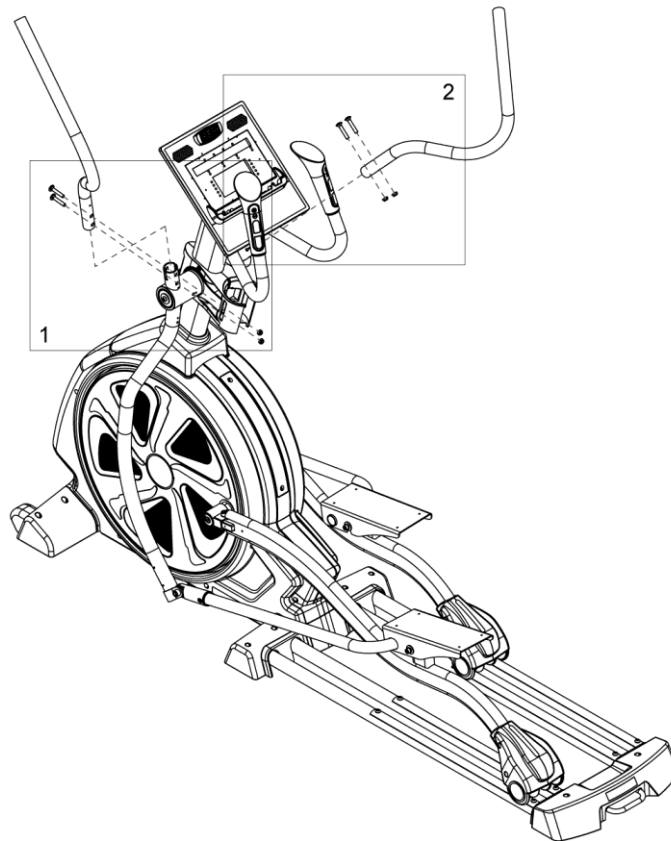
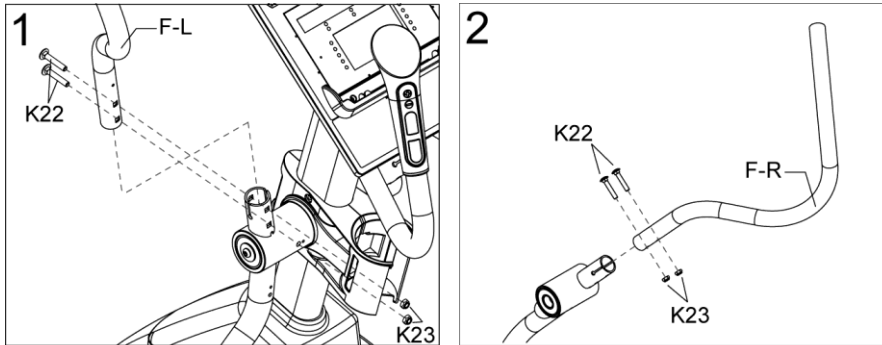
- The handrail sets differ, please see the marks on the handrails to avoid incorrect assembly.
- While assembling the handrail and the fitness pedal, you may need to squat down. Please pay attention to the iron tubes to avoid impact and danger.



Step 6 Swing pole and handrail tube assembly

1. Attach the end of the handrail tube (F-L) to the iron tube on the upper end of the swing pole, then tighten it with screws (K22, K23).
2. Attach the end of the handrail tube (F-R) to the iron tube on the upper end of the swing pole, then tighten it with screws (K22, K23).

CAUTION: The left & right handrail tubes are different, please see the marks on the handrails to avoid incorrect assembly.

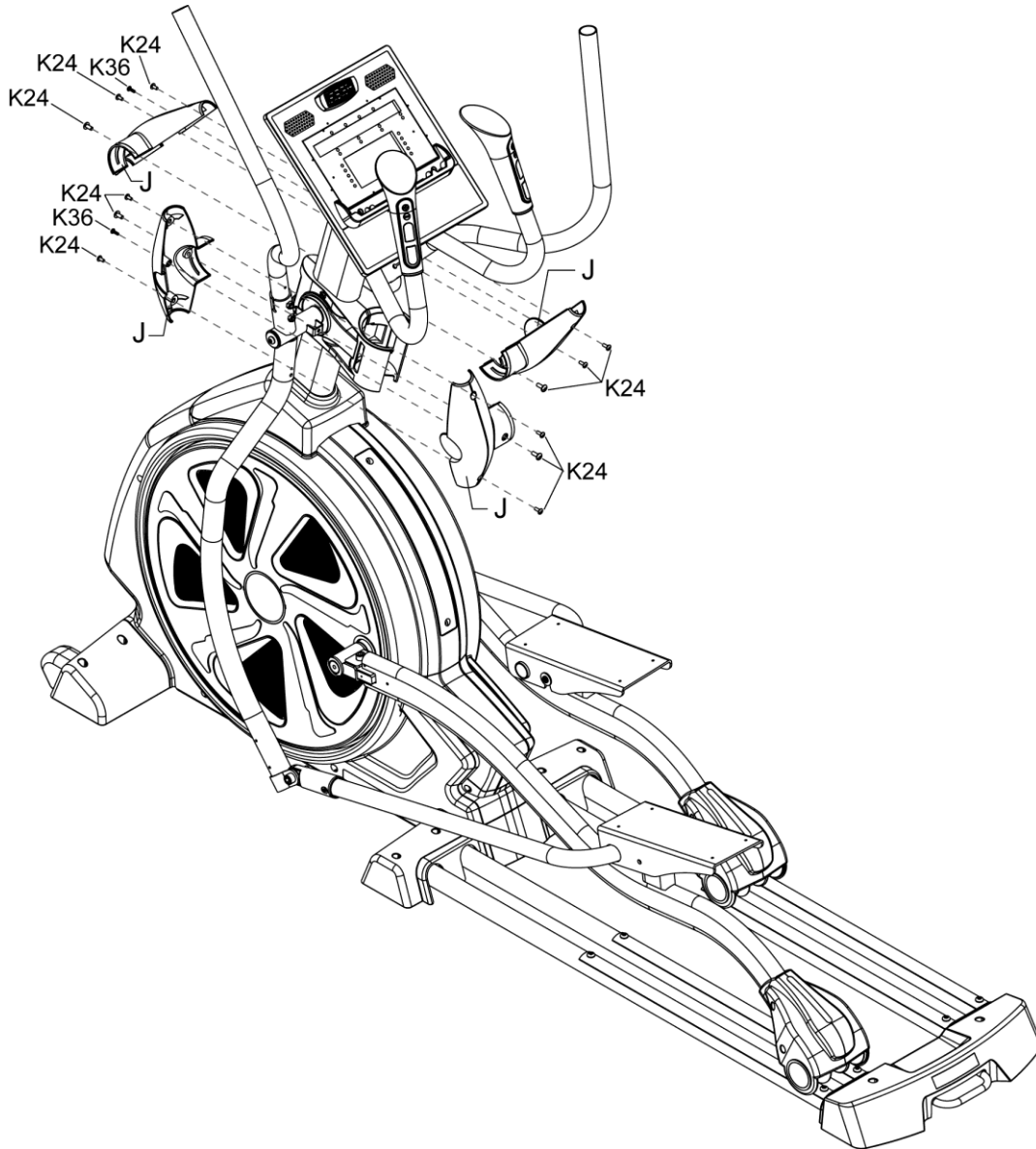


Step 7 – Swing pole covers assembly

Put the hand grip decorative cover (J) onto the hand grip tube's rail and tighten it with screws (K24, K36).

CAUTION:

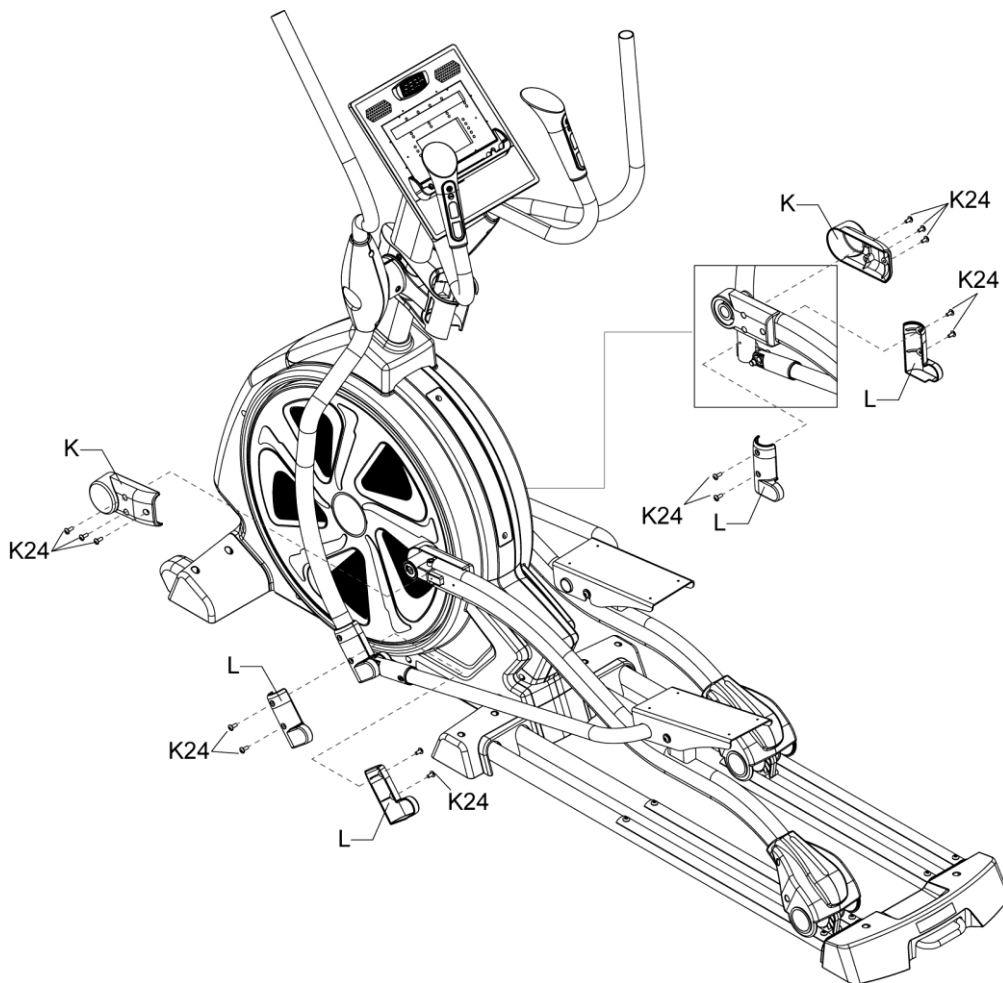
When you lock the plastic covers, please confirm that they match and that they are tightened enough.



Step 8 – Swing tube and pedal tube covers assembly

1. Match the left S bending tube cover (K) to the front end of foot pedal iron tube and tighten with screw (K37).
2. Then put the left shaft cover (L) on the left & right side of the handrail tube and match them well, then tighten with screws (K24).
3. Match the right S bending tube cover (K) to the front end of the foot pedal iron tube and tighten with screws (K37).
4. Then put the right shaft cover (L) on the left & right side of the handrail tube and match them well, then tighten with screws (K24).

CAUTION: When you assemble the plastic covers, make sure they match and that they are tightened well.

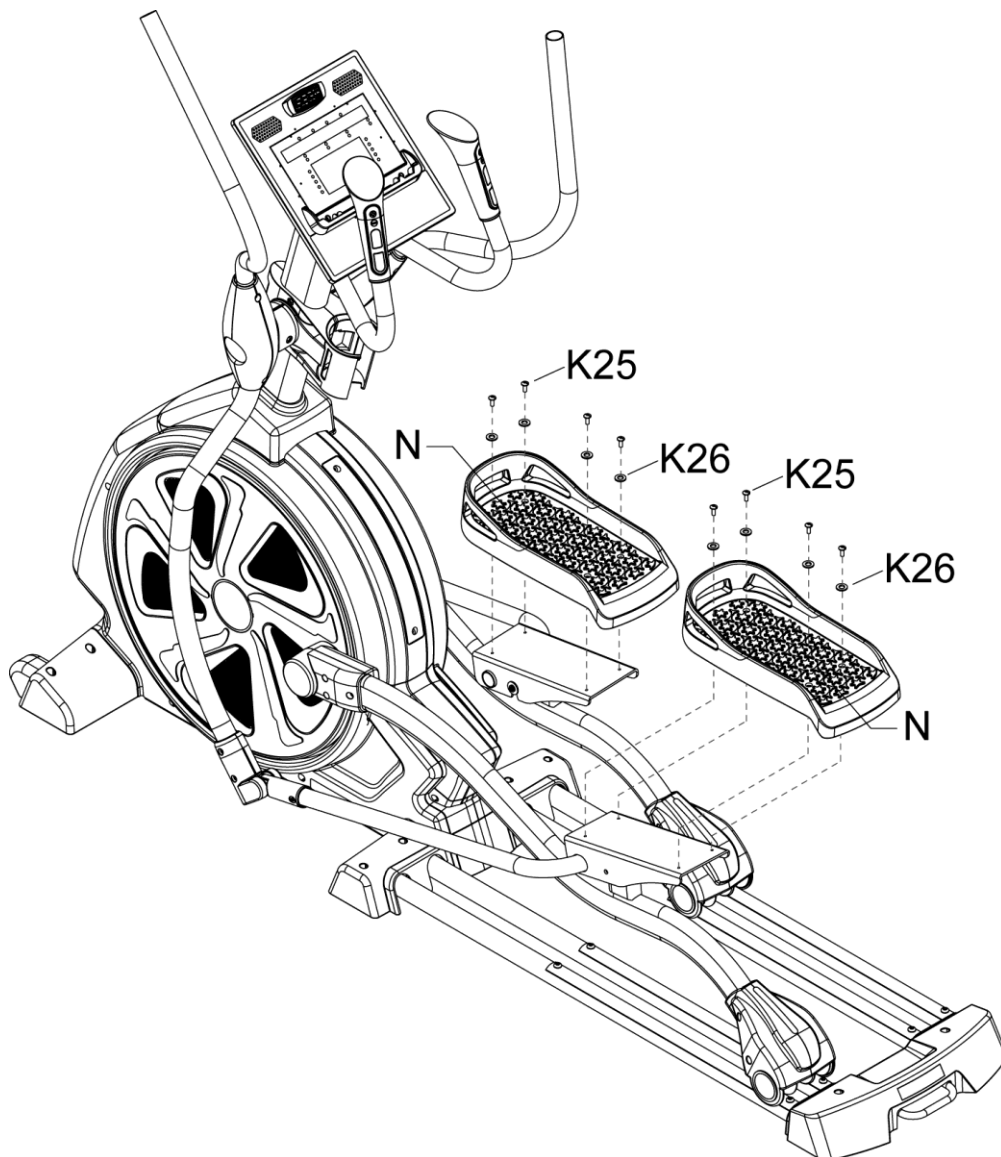


Step 9 – Fitness pole and foot pedal assembly

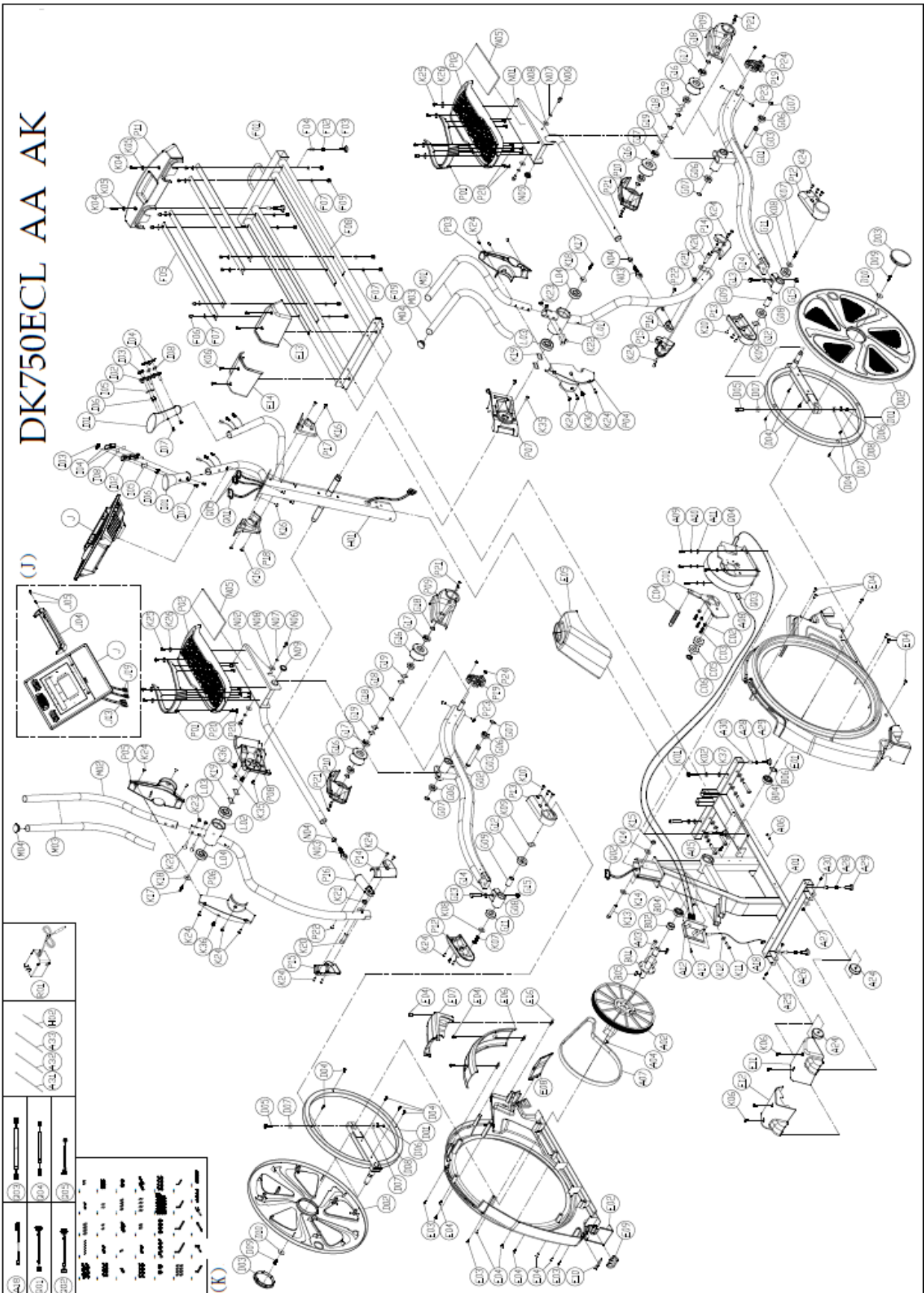
1. Make the screw holes on the left foot pedal (N) match with the screw holes on the left fitness pole, then cover them with washers (K26) and tighten with screws (K25).
2. Make the screw holes on the right foot pedal (N) match with the screw holes on the right fitness pole, then cover them with washers (K26) and tighten with screws (K25).

CAUTION:

- When attaching the foot pedals, make sure they are locked to avoid them falling off because of a loose screw.
- Pay attention to the direction of the pedals.
- K25 and K26 are made of stainless steel with plastic packaging.



EXPLODED DRAWING



PART LIST

NO	NUMBER	ITEM	QTY	NO	NUMBER	ITEM	QTY
(A)			1	C04	NT-3275	Idle wheel adjust hook	1
A01	JED9-A1001	Frame assembly	1	C05	NT-3276	Idle wheel fixing metal core	1
A02	PCT-003-2	Wheel belt(big) $\Phi 310 < J10$ belt use>	1	C06	SPA060-130-10	Washer $\Phi 6 \times \Phi 13 \times 1.0t$	2
A03	SGA8-20I	C.K.S. hex screw M8xP1.25x20	4	C07	SOC6	Nylon nut M6xP1.0	2
A04	SOC8	Nylon nut M8xP1.25	4	C08	SOA6	Screw nut M6xP1.0	1
A05	SGA8-20I	C.K.S. hex screw M8xP1.25x20	1	C09	GH-6204ZZ	Bearing 6204ZZ	2
A06	SEA8-30	Hexagon screw M8xP1.25x30	1	C10	SRA20	C shaped ring $\Phi 20$ shaft use	1
A07	CA-450J10	Belt 45"x10 grooves	1	(D) HED9-C4001		HED9-C4001 CRANK TURNPLATE SET	1
A08	NFW-023	$\Phi 242$ double way power supplier (with NT-1683 shaft cover)	1	D01	JED9-C4001	Crank turnplate assembly	2
A09	SGA6-20	C.K.S. hex screw M6xP1.0x20	4	D02	P-3448	Plastic turnplate	2
A10	SPB6	Spring washer M6	4	D03	P-3449	Turnplate cover	2
A11	SPA060-130-10	Washer $\Phi 6 \times \Phi 13 \times 1.0t$	4	D04	SCI4-12	Truss cross self-tapping screw $\Phi 4 \times 12$	10
A12	XRB-069-004	Lower PC board (PQ26-12A)	1	D05	SEA10-50I	Hexagon screw M10xP1.5x50	2
A13	SCA5-10	Truss cross screw M5xP0.8x10	2	D06	SOC10	Nylon nut M10xP1.5	2
A18	XL-682E	Power wire	1	D07	SPA100-200-10	Flat washer $\Phi 10 \times \Phi 20 \times 1.0t$	4
A24	PB-01-002	Bearing wheel (without bearing) $\Phi 70 \times \Phi 8 \times 28t$	2	D08	SPB10	Spring washer M10	2
A25	SDA8-40	Truss hex screw M8xP1.25x40ni	2	D09	SGA8-15	C.K.S. hex screw M8xP1.25x15	2
A26			2	D10	SPA085-300-20	Washer $\Phi 8.5 \times \Phi 30 \times 2.0t$	1
A27	SOC8	Nylon nut M8xP1.25 Ni	2	D11	BAA0200-200-10	Foam grip 20mmX20mmX1.0t	16
A28	SOA8	Hex screw nut M8xP1.25	8	D12	NO-5953	Crank fixing plate	1
A29	P-1820	Adjustment foot pad	4	(E)		FRAME OUTER COVER SET	1
A30	SOF8A	Iron hex pulling nut M8XP1.25(NHS-8125)	4	E01	P-3442L	Frame side cover - L	1

A31	BJ-48-330B	Belt 4.8x330mm black	6	E02	P-3442R	Frame side cover - R	1
A32	BJ-22-080B	Belt 2.2x80mm black	1	E03	SCI4-12	Round head cross self-tapping screw ψ 4x12	4
A33	BJ-36-102B	Belt 3.6x102mm black	1	E04	SCA5-10	Truss cross screw M5xP0.8x10	14
A34	XL-1577A	Battery Power Wire	1	E05	P-3443	Middle tube head cover	1
A35	XB-074-002	Battery 12V 2.3Ah	1	E06	P-3444	Frame upper decorative cover	1
A36	DED-F-380-500	Cingulum 38X50 female	1	E07	P-3445	Frame middle decorative cover	1
A37	DED-M-380-500	Cingulum 38X50 male	1	E08	P-3465	Frame lower decorative cover	1
A38	BJ-48-330B	Belt 4.8x330mm black	4	E09	P-3466	AV extension board fixing base	1
(B) HED9-C1001		HED9-C1001 CRANK SET	1	E10	P-3475	DC power board	1
B01	JED9-C1001	Crank set assembly	1	E11	P-3446L	Front stabilizer cover - L	1
B02	NT-3047	Crank shaft bushing	1	E12	P-3446R	Front stabilizer cover - R	1
B03	-	-	-	E13	P-3447L	Rear stabilizer cover - L	1
B04	GH-6005ZZ	Bearing 6005ZZ	2	E14	P-3447R	Rear stabilizer cover - R	1
B05	SQI08-08-25	Double round parallel key 8X8X25	2	E15	SCI3-10	Truss cross self-tapping screw Φ 3x10	2
B06	-		-	E16	SOI5	Iron board screw nut M5X25X13 black	3
B07	NT-3033	Middle axle sleeve tube	1	E17	SCA5-15	Truss cross screw M5xP0.8x15	3
B08	NT-3211	Middle axle sleeve tube	1	(F) HED9-I1001		HED9-I1001 REAR STABILIZER SET	1
(C) HED9-D1001		HED9-D1001 IDLE WHEEL SET	1	F01	JED9-I1001	Rear stabilizer assembly	1
C01	JED9-D1001	Idle wheel set assembly	1	F02	SOA8	Hex screw nut M8xP1.25X8T	4
C02	NT-1489	Idle wheel block	3	F03	P-1820	Adjustment foot pad	2
C03	SIA5-15IL	Counter sink hex screw M5xP0.8x15 blue nylon patch	3	F04	SOF8A	Iron hex pulling nut M8XP1.25 (NHS-8125)	2
G05	-	-	-	F05	NAL-494	Wheel compression board	4
G06	GH-6003ZZ	Bearing 6003ZZ	4	F06	SDA6-50S	Truss hex screw M6XP1.0X50 stainless	8
G07	SRA17	C shaped ring Φ 17 shaft use	4	F07	SPC060-190-15-190	Arc washer Φ 6x Φ 19x1.5t-R19 Ni plating	16
G08	JED9-M1003	Pedal fixing plate assembly	2	F08	BAA5750-250-10	Foam sticker 575mmx25mmx1.0t single side tape black	4

G09	NT-3048	Stabilizer shaft bushing	2	F09	SOC6	Cap M6XP1.0	8
G10				F10	BAA-0004	Foam grip single side tape black	4
G11	GH-6003ZZ	Bearing 6003ZZ	2	(G) HED9-M1001		HED9-M1001 FOOT STEP IRON TUBE SET	1
G12	GH-6904ZZ	Bearing 6904ZZ	2	G01	JED9-M1001	Foot step iron tube assembly - L	1
G13	SEC10-45I	C.K.S. hex screw M10xP1.5x45	2	G02	JED9-M1002	Foot step iron tube assembly - R	1
G14	SPA100-200-20	Flat washer $\Phi 10 \times \Phi 20 \times 2.0t$	2	G03	NT-3037	Pedal shaft	2
G15	SOC10	Nylon nut M10xP1.5	2	G04	-	-	-
G16	P-1728B	PU wheel $\Phi 74 \times 44$ (with NAL-133)	4	J20	XEK-165	Sound inputting JACK board	1
G17	GH-6003ZZ	Bearing 6003ZZ	8	J21	XL-826A	Sound inputting JACK board connecting wire	1
G18	SRA17	C shaped ring $\Phi 17$ shaft use	8	J22	XEK-170	Hom 4 Ω 2W 30X70 mm	2
G19	SPG170-240-03	Wave washer $\Phi 17 \times \Phi 24 \times 0.3t$	4	J23	XL-850L	Left hom connecting wire	1
(H) HED9-B1001		HED9-B1001 CONTROL TUBE SET	1	J24	XL-850R	Right hom connecting wire	1
H01	JED9-B1001	Control tube assembly	1	J25	XEK-168	PHONE JACK board	1
H02	BE-0300	Guide thread L=300 black	2	J26	XL-825A	PHONE JACK board connecting wire	1
H03	PFA028-03-0440	HDR foam grip - $\Phi 28 \times 3.0t \times 440$	2	J27	XEK-253	USB small board	1
(I) HED9-H1001		HED9-H1001 HAND GRIP PULSE SET	1	J28	XL-1349	USB connecting wire	1
I01	P-3467	TPR handle bar	2	J29	SCI4-10	Truss cross self-tapping screw $\Phi 4 \times 10$	8
I02	P-3469	Handle bar hand grip pulse board	2	J30	SAI3-8	Round head cross self-tapping screw $\psi 3 \times 8$	16
I03	P-3470	Knob + -	2	J31	RCC-750-002	Sticker	1
I04	NO-5703	Hand grip pulse iron plate	4	J32	RCC-750-003	Sticker	1
I05	XEK-252	Keyboard	2	(L) HED9-Q7001		HED9-Q7001 SWING TUBE SET	1
I06	SAI3-6	Round head cross self-tapping screw $\Phi 3 \times 6$	4	L01	JED9-Q7001	Swing tube assembly - L	1
I07	SHA3-15S	Counter sink cross screw M3xP0.5x15 stainless steel	4	L02	JED9-Q7002	Swing tube assembly - R	1
I08	BAC0120-120-03	Double side tape 12 mm x 12 mm x 0.3t	4	L03	GH-6305VV	Bearing 6305ZZ	2

J09	SK-577	Hexagonal copper pillar M3x24L	2	L04	GH-63-22VV	Bearing 63-22VV	2
(J) HED9-T1001		HED9-T1001 COMPUTER CONSOLE	1	(M) HED9-Q1001		HED9-Q1001 HANDRAIL TUBE SET	1
J01	P-3461	Upper computer cover	1	M01	JED9-Q1001	Handrail tube assembly - L	1
J02	P-3462	Lower computer cover	1	M02	JED9-Q1002	Handrail tube assembly - R	1
J03	P-3463	Sound hole plastic cover	1	M03	PFA031-03-0780	HDR foam grip Φ31X3.0tX780	2
J04	P-3544	I-PAD shelf	1	M04	P-1712	Truss end cap-Φ1-1/4"	2
J05	SAA5-12S	Round head cross screw M5xP0.8x12 stainless steel black	2	(N) HED9-M4001		HED9-M4001 FITNESS POLE SET	1
J06	XRA-069-013	Upper controller (LED+BT set)	1	N01	JED9-M4001	Pole assembly - L	1
J07	SAI3-8	Round head cross self-tapping screw Φ3x8	6	N02	JED9-M4002	Pole assembly - R	1
J08	XHB-003	Wireless pulse receiver 5K (SYRPG5KHZV1)	1	N03	GH-POS12-R-1	Shaft-POS12-R(Φ12 right thread)	2
J09	XL-1038B	Wireless pulse board connecting wire	1	N04	SOC12	Nylon nut M12xP1.75 Ni	2
J10	XEK-255	BT set (BT wireless APP) DK bike	1	N05	BAA-0003	Foam sticker single side tape	2
J11	XL-1350	BT set connecting wire	1	N06	SGA8-15IL	cks hex screw M8xP1.25x15 blue nylon patch	4
J12	SAK3-8	Round head cross self-tapping screw (flat end) ψ3x8	4	N07	SPB8	Spring washer M8	4
J13	XL-827A	Controller connecting wire	1	N08	SPA085-250-20	Flat washer Φ8.5XΦ25X2.0t	4
J14	RD-00-0026	Film key	1	N09	PCA-1-1/4-003	Flat Cap Φ1-1/4"x2.0t	2
J15	XEK-207	Turbo fan CCB13898S12H-2 (DC12V)	1	(P)		PLASTIC FITTINGS	1
J16	P-2568	Air outlet cover	1	P01	P-3458	Pedal-upper	2
J17	P-2569	Outlet cover plastic	1	P02	P-3459	Pedal-lower	2
J18	PO-040-20	O shaped ring Φ4x Φ2 EPDM	2	P03	P-3450L-A	Grab handle decorative cover left front half	1
J19	XL-1310A	UP/DOWN key +single side hand grip connecting wire	2	P04	P-3450L-B	Grab handle decorative cover left rear half	1

P14	P-3456L	Post decorative cover - L	2	P05	P-3451R-A	Grab handle decorative cover right front half	1
P15	P-3456R	Post decorative cover - R	2	P06	P-3451R-B	Grab handle decorative cover right rear half	1
P16	P-3457	Round tube end cover	2	P07	P-3452L	Flask holder - L	1
P17	P-3460L	Neck cover - L	1	P08	P-3452R	Flask holder - R	1
P18	P-3460R	Neck cover - R	1	P09	P-3453L	Wheel decorative cover - L	2
P19	P-3476	Falling against board	2	P10	P-3453R	Wheel decorative cover - R	2
P20	SCI3-10S	Truss cross self-tapping screw $\Phi 3 \times 10$ stainless steel	16	P11	P-3454	Frame rear decorative cover	1
P21	SCA5-12	Truss cross screw M5xP0.8x12	8	P12	P-3455L	S bending tube end cover - L	2
P22	SCA5-10	Truss cross screw M5xP0.8x10	2	P13	P-3455R	S bending tube end cover - R	2
P23	SCA5-15	Truss cross screw M5xP0.8x15	4	K31	SK-493	L shaped hex wrench + cross screwdriver 5X40X180mm	1
P24	SOA5	Hex screw nut M5XP0.8	4	K32	SK-477	Bushing wrench + cross screwdriver 13+17mm	1
(Q)		WIRES	1	K33	SK-435	Lug wrench 19+13mm	1
Q01	XL-392A	Middle control wire	1	K34	SSC10	Opened wrench 10mm	1
Q02	XL-393A	Lower control wire	1	K35	SCA5-15	Truss cross screw M5xP0.8x15	4
Q03	XL-426B	Flywheel control wire(A)	1	K36	SCI4-16	Truss cross self-tapping screw $\Phi 4 \times 16$	4
Q04	XL-505B	Flywheel control wire	1	K37	SPA100-160-10	Washer $\Phi 10 \times \Phi 16 \times 1.5t$	2
Q05	XL-1370	Hand grip quick key connecting wire B	2	K38	SCA5-12	Truss cross screw M5xP0.8x12	6
(K) HED9-Y1001		HED9-Y1001 SCREW BAG	1	K39	SK-491	Cross screwdriver	1
K01	SGA10-55	C.K.S. hex screw M10XP1.5X55	6	(R)		ATTACHMENT	1
K02	SPB10	Spring washer M10	6	R01	XA-010-001	Power supplier 15V 1.0A connecting head 2.1mm	1
K03	SPA100-300-30	Washer $\psi 10 \times \psi 30 \times 3.0t$	4				
K04	SCA5-10	Truss cross screw M5XP0.8X10	2				
K05	SPA050-100-10	Washer $\psi 5 \times \psi 10 \times 1.0t$	2				
K06	SCA5-10	Truss cross screw M5XP0.8X10	8				

K07	SDA8-15IL	Truss hex screw M8XP1.25X15 blue nylon patch	2				
K08	SPA080-250-20	Washer φ 8X φ 25X2.0t	2				
K09	-		-				
K10	SCA5-12	Truss cross screw M5XP0.8X12	6				
K11	SGA8-15I	C.K.S. hex screw M8XP1.25X15	1				
K12	SPA080-250-20	Washer φ 8X φ 25X2.0t	1				
K13	SGA10-70I	C.K.S. hex screw M10XP1.5X70	2				
K14	SPA100-200-10	Washer φ 10X φ 20X1.0t	4				
K15	SOC10	Nylon nut M10XP1.5	2				
K16	SCA5-12	Truss cross screw M5XP0.8X12	8				
K17	SDA8-20IL	Truss hex screw M8XP1.25X20 blue nylon patch	2				
K18	SPA085-300-20	Washer φ 8.5X φ 30X2.0t	2				
K19	-		-				
K20	SGA12-35I	C.K.S. hex screw M12xP1.75x35	2				
K21	SOC12	Nylon nut M12xP1.75	2				
K22	SNA8-45	Carriage screw M8XP1.25X45	4				
K23	SOC8	Nylon nut M8XP1.25	4				
K24	SCA5-10	Truss cross screw M5XP0.8X10	20				
K25	SCA5-10SL	Truss cross screw M5XP0.8X10 stainless steel blue nylon patch	8				
K26	SPA050-100-10S	Washer φ 5X φ 10X1.0t stainless steel	8				
K27	SSA10	L shaped hex wrench 10mmX43mmX103mm	1				
K28	SSA8-75-150	L shaped hex wrench 8mmX75mmX150mm	1				

K29	SSA6-26-76	L shaped hex wrench 6 mm X 26 mm X 76 mm	1				
K30	SSA5	L shaped hex wrench 5 mm X 25 mm X 67 m	1				

COMPUTER OPERATION INSTRUCTIONS

BASIC INFORMATION

This computer has a LED display and its functions are as follows: TIME, DISTANCE, RPM, HEART RATE, WORK LEVEL, WATTS, METS/PULSE, CALORIES and PROGRAM.



START WINDOWS AND STARTING

- 1 When you turn on the machine and the sensor detects speed signal, the display will switch on after 2 seconds. It will show "SELECT PROGRAM OR QUICK START". The dot matrix will show the PROGRAM number and the program window will light up. Press Program Quick Key or Δ / ∇ keys to directly start a program.

- 2 If program is turned on but the machine stops receiving a RPM signal for 20 seconds, the program will automatically pause and show "PAUSE" on the display. If there is still no RPM signal for another 10 seconds, the system will automatically enter the standby mode.
- 3 If the machine is turned on but the display and the speed sensor do not receive any input in 30 seconds, the system will automatically enter sleep mode.

KEY FUNCTION

QUICK START KEY

While in the standby mode, press Quick Start and the manual mode will automatically turn on. The display will start to count down all the measured values.

STOP KEY

Press Stop and all running operations will stop. If you want to un-pause the machine, press the Quick Start Key to continue exercising.

RESET KEY

- While paused, press the RESET KEY to return to the standby mode.
- During a program, press the RESET KEY to return from settings to the standby mode.

ENTER / SELECT KEY

- While setting a program, press this key to select a function or to set data and confirm the modified value setting.
- While exercising, press this key to change the windows display.

△ KEY

- Increase a value while setting program parameters.
- While exercising, increase the resistance level.

▽ KEY

- Decrease a value while setting program parameters.
- While exercising, decrease the resistance level.

FAN KEY (optional)

Switch the fan on.

PROGRAM QUICK KEY * 10

- Manual - press this key to select manual mode program.
- Random - press this key to select random mode program.
- CV - press this key to select CV Workout mode program immediately.
- Weight Loss - press this key to select Weight Loss mode program immediately.
- Hill Intervals - press this key to select Hill Intervals program immediately.
- Fitness Test - press this key to select Fitness Test program immediately.
- HRC 1 - press this key to select Heart Rate Control 1 program immediately.
- HRC 2 - press this key to select Heart Rate Control 2 program.
- User 1 - press this key to select User 1 program immediately.
- User 2 - press this key to select User 2 program immediately.

PROGRAM FUNCTION

P1 – MANUAL MODE

1. Press the Manual key to directly enter settings, or press Δ / ∇ keys to select the Manual mode, then press Enter to enter settings.
2. Weight setting: press Δ / ∇ key to set the user's weight, then press Enter to continue to the next step.
3. Time setting: press Δ / ∇ key to set Time, then press Enter to continue to the next step.
4. Distance setting: press Δ / ∇ key to set Distance, then press Enter to continue to the next step.
5. Calories setting: press Δ / ∇ key to set Calories, then press Enter to continue to the next step.
6. Press Quick Start to start exercising.

P2 – RANDOM MODE

1. Press Random to directly enter the settings, or press Δ / ∇ key to select the Random mode and then press Enter to enter settings.
2. Weight setting: press Δ / ∇ key to set the user's weight, then press Enter to continue to the next step.
3. Level setting: press Δ / ∇ key to set resistance level, then press Enter to continue to the next step.
4. Time setting: press Δ / ∇ key to set Time, then press Enter to continue to the next step.
5. Press Quick Start to start exercising.

P3 – WEIGHT LOSS MODE

1. Press Weight Loss Key to enter setting directly, or press Δ / ∇ Key to select Weight Loss mode, then press Enter Key to enter default setting.
2. Weight setting: press Δ / ∇ key to set the user's weight, then press Enter to continue to the next step.
3. Level setting: press Δ / ∇ key to set resistance level, then press Enter to continue to the next step.
4. Time setting: press Δ / ∇ key to set Time, then press Enter to continue to the next step.
5. Press Quick Start to start exercising.

P4 – CV WORKOUT MODE

1. Press CV to directly enter settings, or press Δ / ∇ key to select the CV Workout mode, then press Enter to enter default settings.
2. Weight setting: press Δ / ∇ key to set the user's weight, then press Enter to continue to the next step.
3. Level setting: press Δ / ∇ key to set resistance level, then press Enter to continue to the next step.
4. Time setting: press Δ / ∇ key to set Time, then press Enter to continue to the next step.
5. Press Quick Start to start exercising.

P5 – HILL INTERVALS MODE

1. Press Hill Intervals to directly enter settings, or press Δ / ∇ key to select the Hill Intervals mode and then press Enter to enter default settings.
2. Weight setting: press Δ / ∇ key to set the user's weight, then press Enter to continue to the next step.
3. Level setting: press Δ / ∇ key to set resistance level, then press Enter to continue to the next step.
4. Time setting: press Δ / ∇ key to set Time, then press Enter to continue to the next step.
5. Press Quick Start to start exercising.

P6 – FITNESS TEST MODE

1. Press Fitness Test to directly enter settings, or press Δ / ∇ key to select the Fitness Test mode and then press Enter to enter default settings.
2. Weight setting: press Δ / ∇ key to set the user's weight, then press Enter to continue to the next step.
3. Gender setting: press Δ / ∇ key to set user's gender, then press Enter to continue to the next step.
4. Age setting: press Δ / ∇ key to set the user's age, then press Enter to continue to the next step.
5. Press Quick Start to start exercising.

P7 – HRC 1 MODE

1. Press HRC 1 to directly enter settings, or press Δ / ∇ key to select HRC 1 mode, then press Enter Key to enter default settings.
2. Weight setting: press Δ / ∇ key to set user's weight, then press Enter to continue to the next step.
3. Age setting: press Δ / ∇ key to set the user's age, then press Enter to continue to the next step.
4. Heart rate setting: press Δ / ∇ key to set 55%,75% or 85% heart rate frequency, then press Enter to continue to the next step.
5. Time setting: press Δ / ∇ to set Time, then press Enter to continue to the next step.
6. Press Quick Start to start exercising.

P8 – HRC 2 MODE

1. Press HRC 2 to directly enter settings, or press Δ / ∇ key to select the HRC 2 mode, then press Enter to enter default settings.
2. Weight setting: press Δ / ∇ key to set the user's weight, then press Enter to continue to the next step.
3. Age setting: press Δ / ∇ key to set the user's age, then press Enter to continue to the next step.
4. Heart rate setting: press Δ / ∇ key to set the required heart rate frequency, then press Enter to continue to the next step.
5. Time setting: press Δ / ∇ key to set Time, then press Enter to continue to the next step.

6. Press Quick Start to start exercising.

P9 – USER 1 MODE

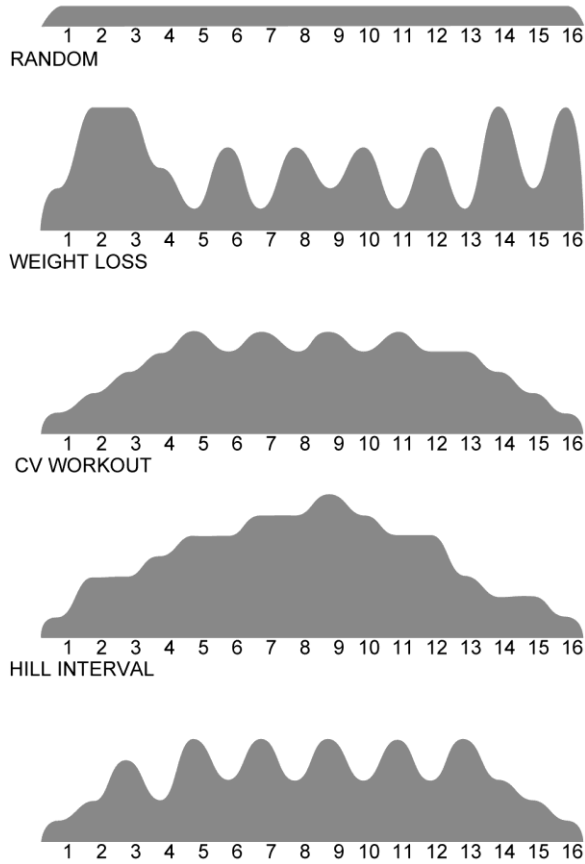
1. Press User 1 to directly enter settings, or press Δ / ∇ key to select the User 1 mode, then press Enter to enter default settings.
2. Weight setting: press Δ / ∇ key to set the user's weight, then press Enter to continue to the next step.
3. Time setting: press Δ / ∇ to set Time, then press Enter to continue to the next step.
4. Distance setting: press Δ / ∇ key to set Distance, then press Enter to continue to the next step.
5. Calories setting: press Δ / ∇ key to set Calories, then press Enter to continue to the next step.
6. Profile setting: If you press Enter the usual way, you'll skip the setting of individual phases of the program. If you want to set the program profile with all its phases, press Enter for 2 seconds and enter the profile setting:
 - When you enter the profile setting, Profile 1 will be blinking. Press Δ / ∇ to set the resistance and press Enter to continue to the next phase.
 - While setting one of the 16 phases, press Enter to save the set profile or Reset to reset the profile setting to default.
 - After you finish setting all the phases, press Enter to continue to the next step.
7. Press Quick Start to start exercising.

P10 – USER 2 MODE

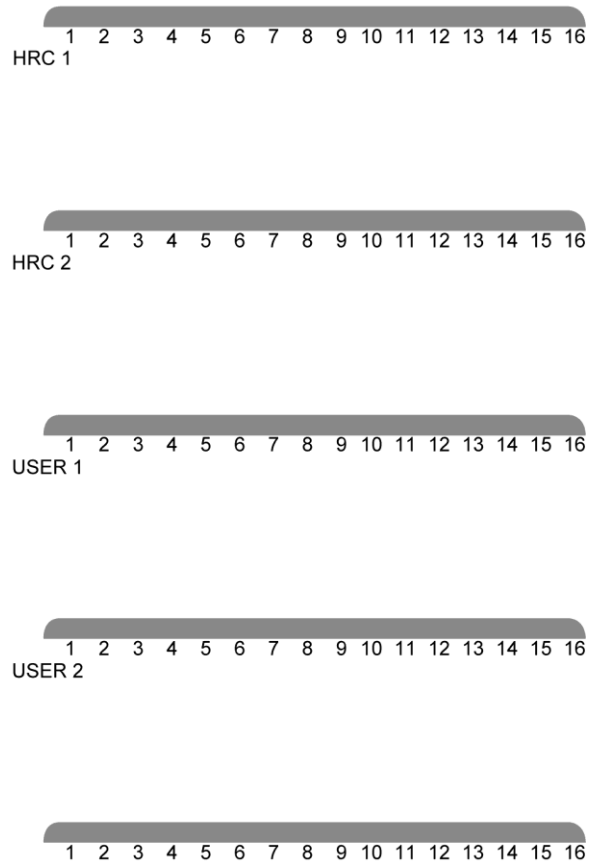
1. Press User 2 to directly enter settings, or press Δ / ∇ key to select the User 2 mode, then press Enter to enter default settings.
2. Weight setting: press Δ / ∇ Key to set Weight, then press Enter Key to next step.
3. Time setting: press Δ / ∇ Key to set Time, then press Enter Key to next step.
4. Distance setting: press Δ / ∇ Key to set Distance, then press Enter Key to next step.
5. Calories setting: press Δ / ∇ Key to set Calories, then press Enter Key to next step.
6. Profile setting: If you press Enter the usual way, you'll skip the setting of individual phases of the program. If you want to set the program profile with all its phases, press Enter for 2 seconds and enter the profile setting:
 - When you enter the profile setting, Profile 1 will be blinking. Press Δ / ∇ to set the resistance and press Enter to continue to the next phase.
 - While setting one of the 16 phases, press Enter to save the set profile or Reset to reset the profile setting to default.
 - After you finish setting all the phases, press Enter to continue to the next step.
7. Press Quick Start Key to start exercising.

PROFILE FIGURE

MANUAL



FITNESS TEST



BLUETOOTH COMPUTER APP (iOS&Android) OPERATION INSTRUCTIONS



FOR iOS DEVICE (iPAD)

1. APP software download

Connect the iPad to the App (iTunes) Store, search for "Pafers", then read the APP introduction. Choose an APP to download to the iPad, for example "Tread monitor" or "Run on the Earth". Install an APP compatible with your machine to your iPad. For example: "Pedal Monitor" or "Run on Earth". Apps that are not compatible with your model cannot be connected to this computer.

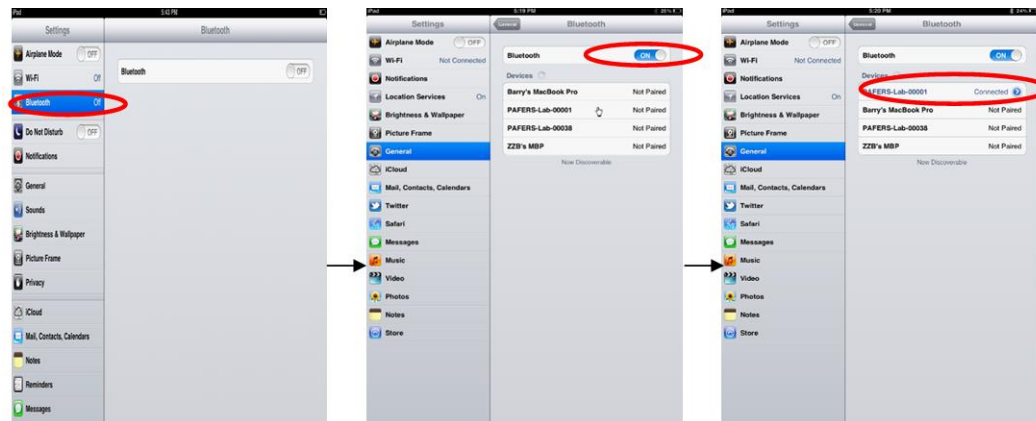
2. BT device matching and APP working:

Step 1: Place the iPad in the area in front of the LED screen. You can attach it there.


Step 2: Enter “iPad Settings program”.




Step 3: Open BT and the iPad will detect all BT devices within range. Find the Treadmill BT device’s name and click on it to match them. If you detect many BT devices and cannot recognize the corresponding name, contact the dealer.



Step 4: Wait for a few seconds until the status of the device changes to “connected”. Then check

if find the figure  on the top right corner of the iPad (white mark means that BT has been matched successfully / grey mark means, that BT is still open and not matched).

Step 5: After the BT is matched successfully, the LED display will show a white background and the display “BT”. That means, the computer also has connected with the iPad successfully.

Step 6: Press “HOME” button  on the iPad and the screen will go to the iPad desktop and will execute APP, which downloaded.

Step 7: (After executed APP). When APP connects with the computer successfully, the APP icon on the screen will be unlocked. Then you can use the APP page to control the treadmill.

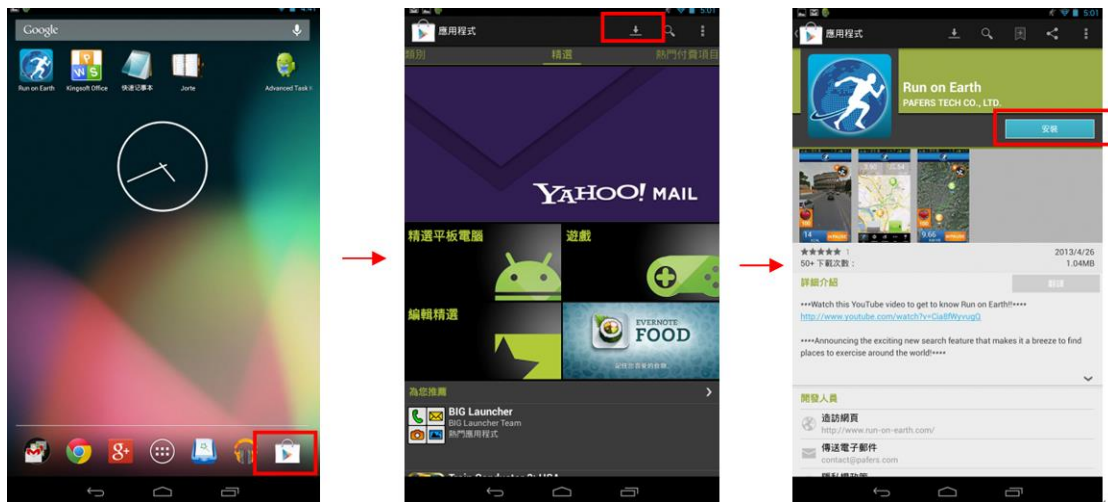
Step 8: After each using of the APP press “HOME” button on the iPad twice, close recently used APP in the background (as figures below). Then go back to the iPad Settings page to close the BT function. The computer will beep and will return to the regular LED operation display.



FOR ANDROID DEVICE

1. APP software download

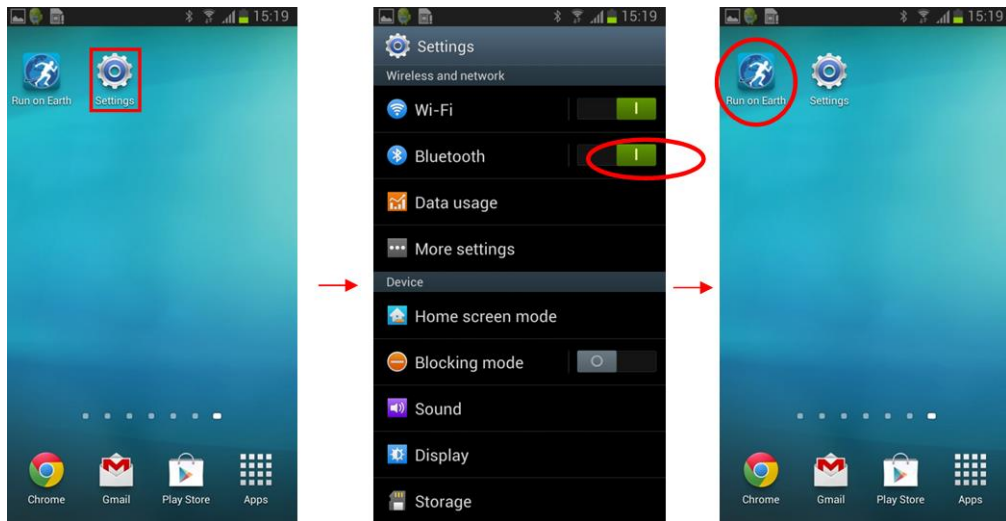
Connect the Android tablet to the Play Store and search for Pafers. Then read the APP instruction. Download APP of this model into your tablet, for example "Run On Earth". Other APP is not designed for this treadmill. Other APP which is not consistent with this model design cannot be connected with this computer.



2. BT device matching and APP operating

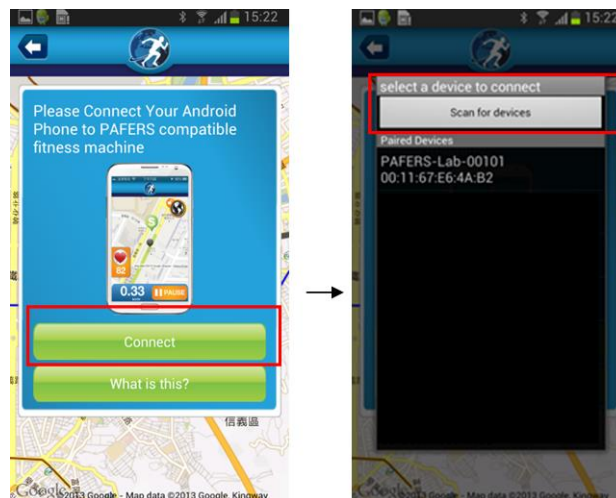
Step 1: Place the Android device onto the area in front of the LED screen. You can attach it there.

Step 2: Enter the Android device Settings Program and open BT.



Step 3: Press “HOME” page button to go to the desktop. Open the APP downloaded from the Play Store.

Step 4: After entering the APP page and detecting the device, the connection option page will appear. Press “Connect” and the Android tablet will detect all BT devices within range. Find the trainer’s BT device name and click to match the trainer with the device. When it detects more than one device and you are not able to recognize the corresponding name, contact the dealer.



Step 5: Please wait for a few seconds until the status of this device changes to “connected”. Then check if you can see the Bluetooth symbol in the top right corner. (White mark means that the BT has been matched successfully. Grey mark means, that the BT is on but not matched.).



Step 6: After BT has been matched successfully, the LED display will show a white background and will display “BT”. It means that the computer has been successfully connected with the iPad. Thereafter you can use the APP page to control the treadmill.

Step 7: After you are done using the APP, close the APP in the background. Then go back to the Android device settings page to close the BT function. The computer will beep and return to the regular LED operation display.

Remarks:

- The technology of APP function depends on the Bluetooth function and other features. Check, if the computer is equipped with BT.
 - After a successful matching, start the APP within 2 minutes. If it is not started within 2 minutes and the distance between the computer and tablet is more than 2 meters, the connection will automatically end. You have to reset it according to the steps above.
 - Each APP has different functions and operation possibilities. If you are not sure, contact the dealer or visit the Pafers website for instructions and function introduction. You can browse the APP and download a page description or contact the Pafers dealer.
 - The APP will not change the unit measurement (Metric/English) automatically. If the unit measurement in the APP and the console differs, switch the unit in the APP.
 - The software will be updated or new APP will be launched on an unfixed schedule.
 - The APP has the functions below. We suggest to open 3G or Wi-Fi network in order to enjoy all available functions.
1. FITNESS MANAGEMENT: Register your personal account in the APP and sign in. You can record or view your fitness data for every exercise session.
 2. Some APP requires connection to Google Map. This page can be used as an operation display interface after position.

Circumstances below may cause interruption or crash of the APP connection:

When using the APP, try to limit the number of applications running, such as music player, picture browsing and so on. Try to reduce the number of times you switch back and forth between the applications and avoid opening too many applications at once. Sometimes the connection will be interrupted due to resource allocation and the device's self-protection.

If the iOS Device APP doesn't work the way it's supposed to, refer to the following steps to recover the connection:

1. Quickly double press the "HOME" button on the iPad and delete all APPS in the temporary memory (including Pafers APP).
2. Enter the iPad settings program, press the "→" on the right of the BT device name and choose "forget" to forget this BT device.
3. Close the BT function and turn off the machine in the iPad setting program.
4. Turn the machine back on after 1 minute.
5. Enter the iPad settings program, open the BT function, search the computer BT device name and re-matching.
6. After the successful matching go back to desktop and re-start Pafers APP.

If the problem is still not solved, check if the BT device matched with the iPad belongs to this computer. If it does, turn off the iPad temporarily. The iPad might crash or encounter other wireless interference.

APP SUPPORTIVE DEVICES (below listed for example). Refer to the declaration on APP downloading page as validation.

1. iOS Device:

- iPod touch (the forth)
- iPod touch (the third)
- iPhone 5
- iPhone 4S
- iPhone 4
- Mini iPad

iPad 2

iPad

2. Android Device:

ASUS Nexus 7

Samsung Galaxy Note 2

Samsung S4



With other iOS or Android devices not included in the list, the APP can still be installed and used. Due to a different screen size, picture ratio and resolution, figures may be displayed imperfectly and calibration is required. The models listed above have been calibrated. Any update will be declared on the Pafers website.

It is recommended to update IOS to 6.0 version or above and Android to 4.0 version or above. This way you'll ensure the best experience.

TERMS AND CONDITIONS OF WARRANTY, WARRANTY CLAIMS

General Conditions of Warranty and Definition of Terms

All Warranty Conditions stated hereunder determine Warranty Coverage and Warranty Claim Procedure. Conditions of Warranty and Warranty Claims are governed by Act No. 89/2012 Coll. Civil Code, and Act No. 634/1992 Coll., Consumer Protection, as amended, also in cases that are not specified by these Warranty rules.

The seller is SEVEN SPORT s.r.o. with its registered office in Borivojova Street 35/878, Prague 13000, Company Registration Number: 26847264, registered in the Trade Register at Regional Court in Prague, Section C, Insert No. 116888.

According to valid legal regulations it depends whether the Buyer is the End Customer or not.

“The Buyer who is the End Customer” or simply the “End Customer” is the legal entity that does not conclude and execute the Contract in order to run or promote his own trade or business activities.

“The Buyer who is not the End Customer” is a Businessman that buys Goods or uses services for the purpose of using the Goods or services for his own business activities. The Buyer conforms to the General Purchase Agreement and business conditions.

These Conditions of Warranty and Warranty Claims are an integral part of every Purchase Agreement made between the Seller and the Buyer. All Warranty Conditions are valid and binding, unless otherwise specified in the Purchase Agreement, in the Amendment to this Contract or in another written agreement.

Warranty Conditions

Warranty Period

The Seller provides the Buyer a 24 months Warranty for Goods Quality, unless otherwise specified in the Certificate of Warranty, Invoice, Bill of Delivery or other documents related to the Goods. The legal warranty period provided to the Consumer is not affected.

By the Warranty for Goods Quality, the Seller guarantees that the delivered Goods shall be, for a certain period of time, suitable for regular or contracted use, and that the Goods shall maintain its regular or contracted features.

The Warranty does not cover defects resulting from (if applicable):

- User's fault, i.e. product damage caused by unqualified repair work, improper assembly, insufficient insertion of seat post into frame, insufficient tightening of pedals and cranks
- Improper maintenance
- Mechanical damages
- Regular use (e.g. wearing out of rubber and plastic parts, moving mechanisms, joints etc.)
- Unavoidable event, natural disaster
- Adjustments made by unqualified person
- Improper maintenance, improper placement, damages caused by low or high temperature, water, inappropriate pressure, shocks, intentional changes in design or construction etc.

Warranty Claim Procedure

The Buyer is obliged to check the Goods delivered by the Seller immediately after taking the responsibility for the Goods and its damages, i.e. immediately after its delivery. The Buyer must check the Goods so that he discovers all the defects that can be discovered by such check.

When making a Warranty Claim the Buyer is obliged, on request of the Seller, to prove the purchase and validity of the claim by the Invoice or Bill of Delivery that includes the product's serial number, or eventually by the documents without the serial number. If the Buyer does not prove the validity of the Warranty Claim by these documents, the Seller has the right to reject the Warranty Claim.

If the Buyer gives notice of a defect that is not covered by the Warranty (e.g. in the case that the Warranty Conditions were not fulfilled or in the case of reporting the defect by mistake etc.), the Seller is eligible to require a compensation for all the costs arising from the repair. The cost shall be calculated according to the valid price list of services and transport costs.

If the Seller finds out (by testing) that the product is not damaged, the Warranty Claim is not accepted. The Seller reserves the right to claim a compensation for costs arising from the false Warranty Claim.

In case the Buyer makes a claim about the Goods that is legally covered by the Warranty provided by the Seller, the Seller shall fix the reported defects by means of repair or by the exchange of the damaged part or product for a new one. Based on the agreement of the Buyer, the Seller has the right to exchange the defected Goods for a fully compatible Goods of the same or better technical characteristics. The Seller is entitled to choose the form of the Warranty Claim Procedures described in this paragraph.

The Seller shall settle the Warranty Claim within 30 days after the delivery of the defective Goods, unless a longer period has been agreed upon. The day when the repaired or exchanged Goods is handed over to the Buyer is considered to be the day of the Warranty Claim settlement. When the Seller is not able to settle the Warranty Claim within the agreed period due to the specific nature of the Goods defect, he and the Buyer shall make an agreement about an alternative solution. In case such agreement is not made, the Seller is obliged to provide the Buyer with a financial compensation in the form of a refund.



SEVEN SPORT s.r.o.

Registered Office:	Borivojova 35/878, 130 00 Praha 3, Czech Republic
Headquarters:	Delnicka 957, 749 01 Vitkov, Czech Republic
Warranty & Service Centre:	Cermenska 486, 749 01 Vitkov, Czech Republic
CRN:	26847264
VAT ID:	CZ26847264
Phone:	+420 556 300 970
E-mail:	eshop@insportline.cz reklamace@insportline.cz servis@insportline.cz
Web:	www.insportline.cz

SK

INSPORTLINE s.r.o.

Headquarters, Warranty & Service centre: Elektrická 6471, 911 01 Trenčín, Slovakia

CRN: 36311723

VAT ID: SK2020177082

Phone: +421(0)326 526 701

E-mail: objednavky@insportline.sk

reklamacie@insportline.sk

servis@insportline.sk

Web: www.insportline.sk

Date of Sale:

Stamp and Signature of Seller: