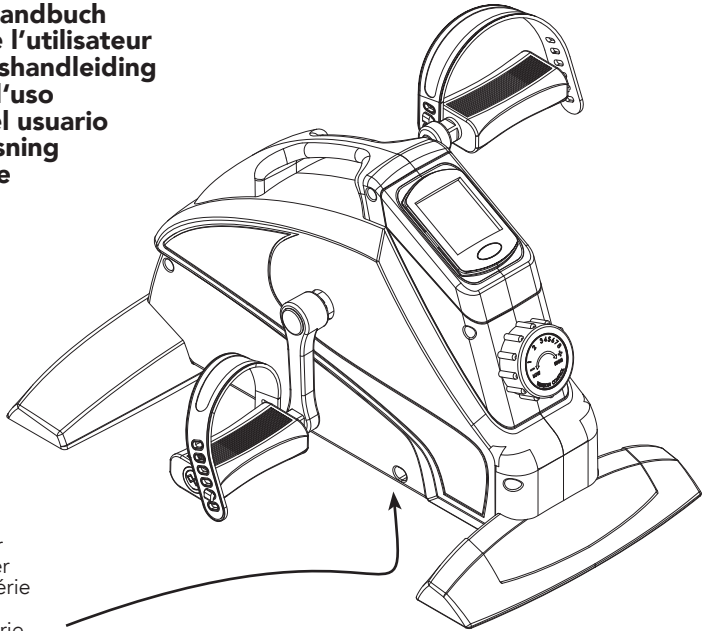


TUNTURI®

Cardio Fit mini bike M35

User manual
Benutzerhandbuch
Manuel de l'utilisateur
Gebruikershandleiding
Manuale d'uso
Manual del usuario
Bruksanvisning
Käyttöohje

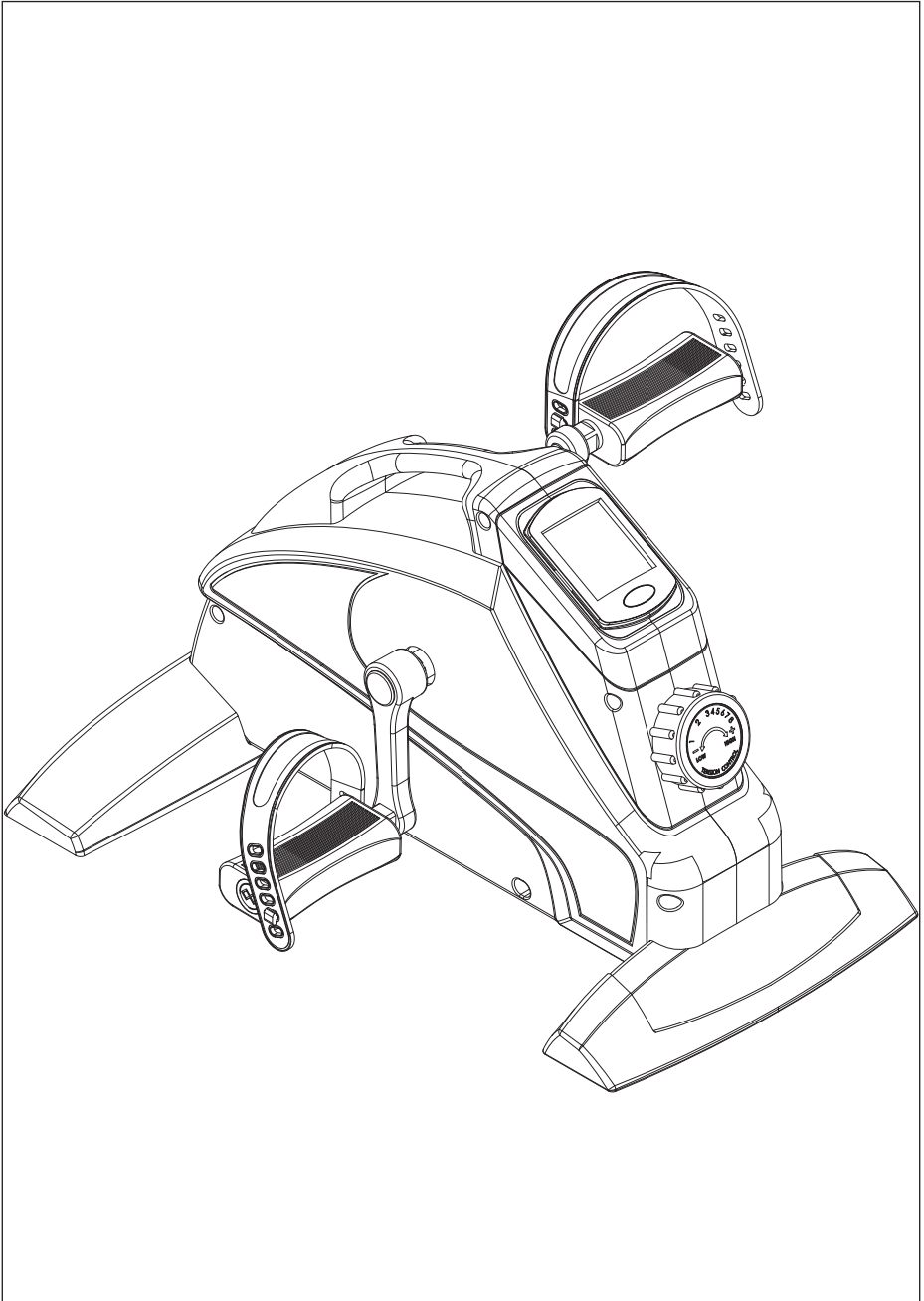


Serial number
Seriennummer
Numéro de série
Serienummer
Numero di serie
Número de serie
Serienummer
Sarjanumero

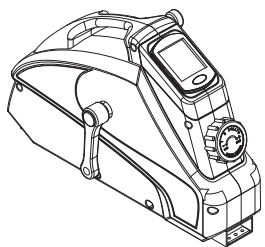
**Attention, Achtung, Attention, Attentie,
Attenzione, Atención, Giv akt, Huomio**

- Please read this Owner's manual before assembling this product.
- Bitte lesen Sie dieses Handbuch durch, bevor Sie mit er Montage dieses Produkts beginnen.
- Veuillez lire ce manuel avant de commencer le montage de ce produit.
- Leest u deze handleiding voordat u dit apparaat installeert.
- Leggere questo manuale prima di assemblare questo prodotto.
- Lea este manual antes de montar este producto.
- Läs bruksanvisningen innan du monterar denna produkt.
- Lue tämä käsikirja ennen kokoamista tuotetta.

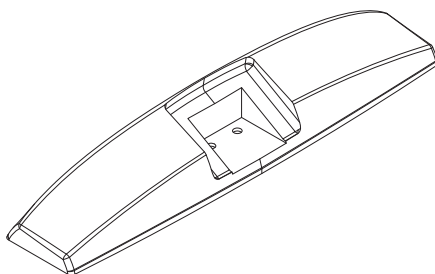
A



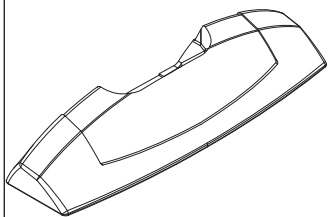
B



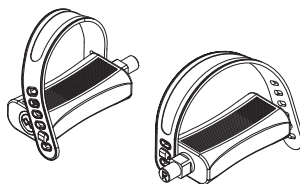
NO. 1



NO. 02

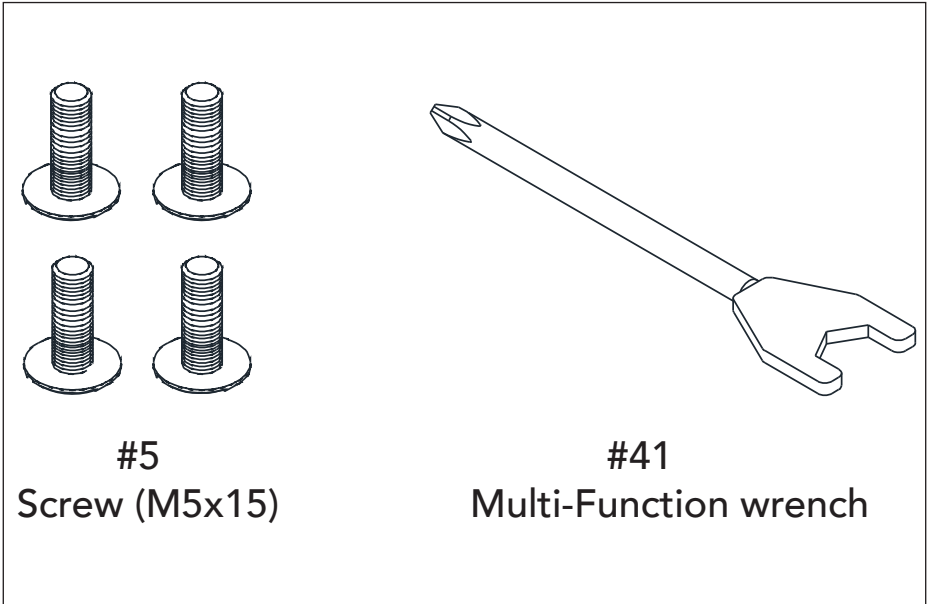


NO. 03

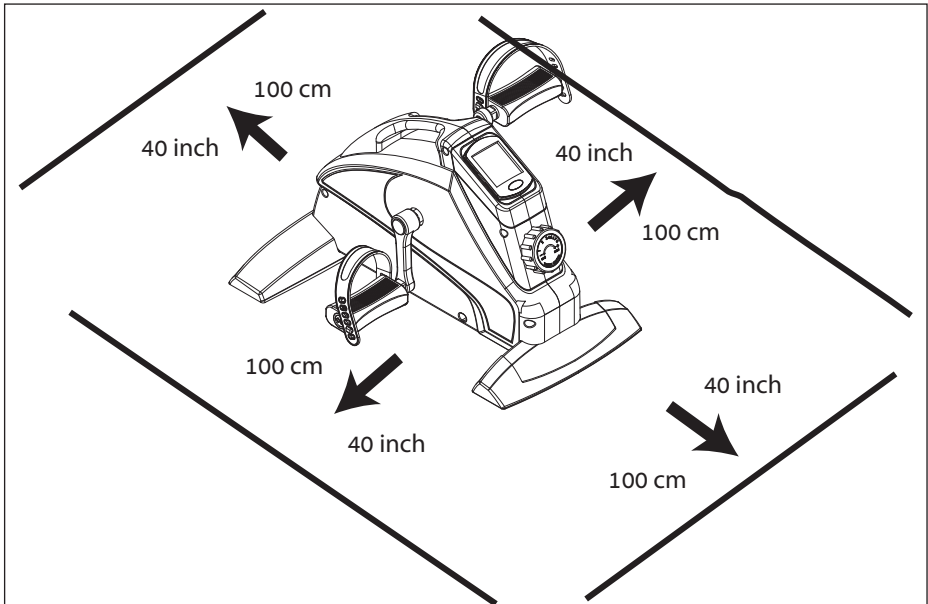


NO. 04L/R

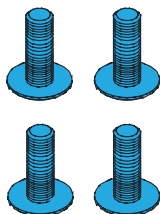
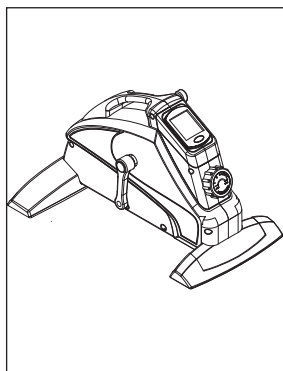
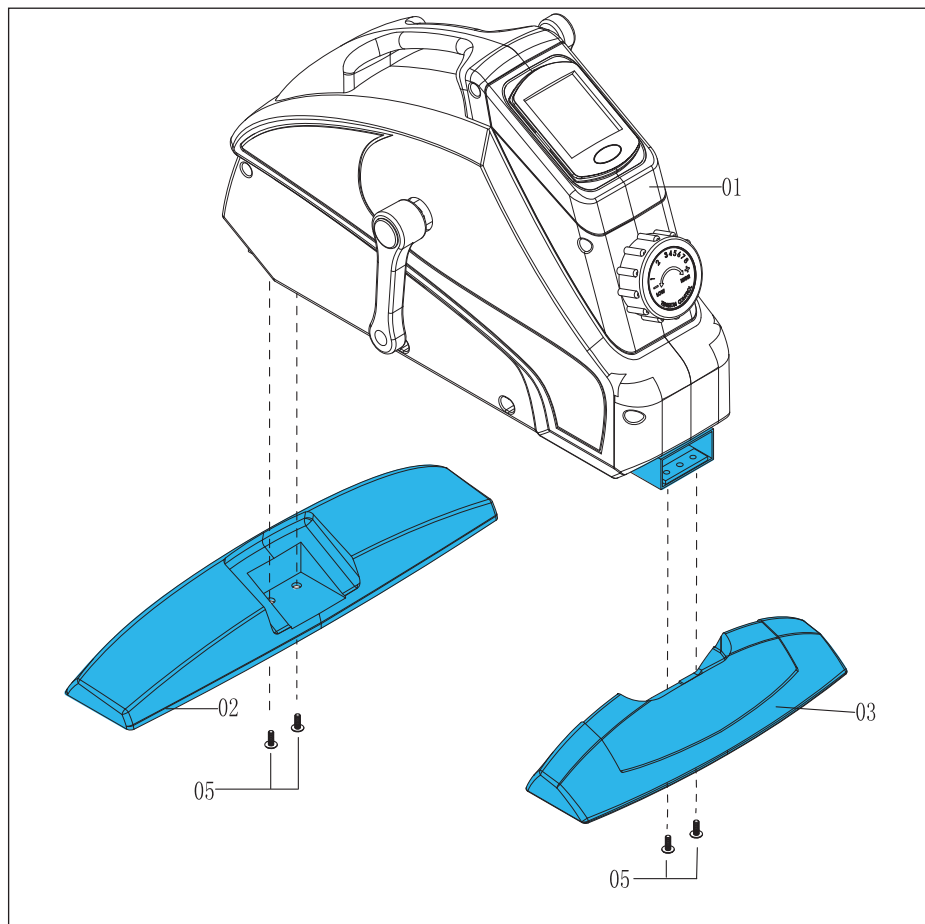
C



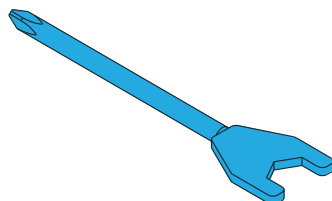
D



D-1

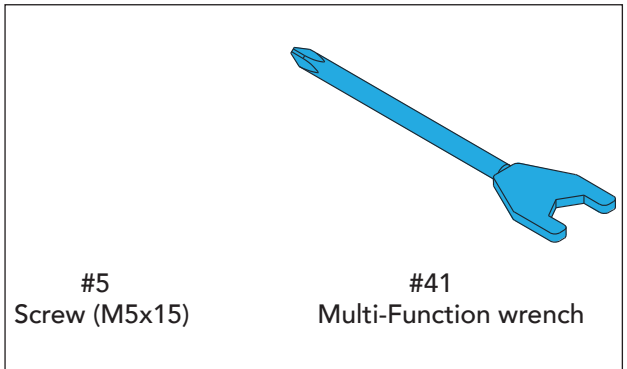
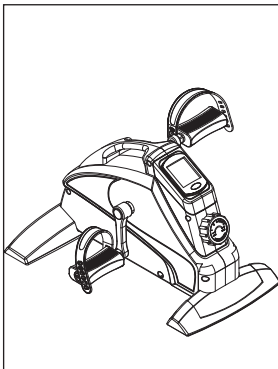
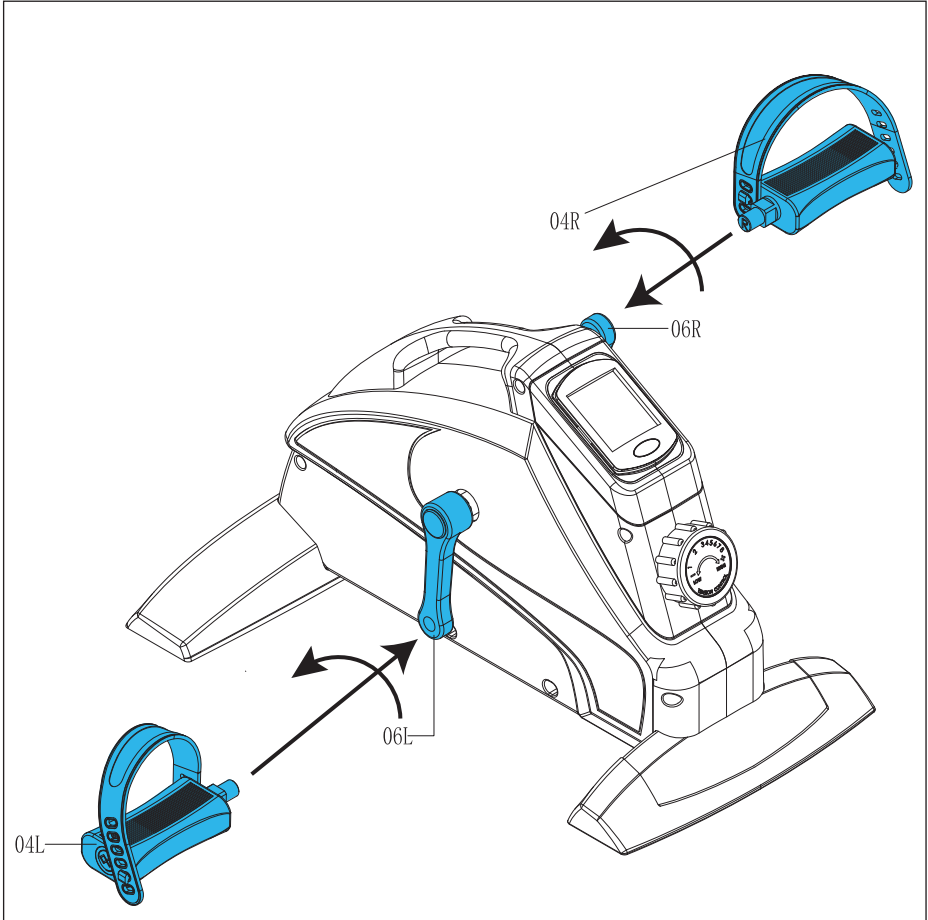


#5
Screw (M5x15)

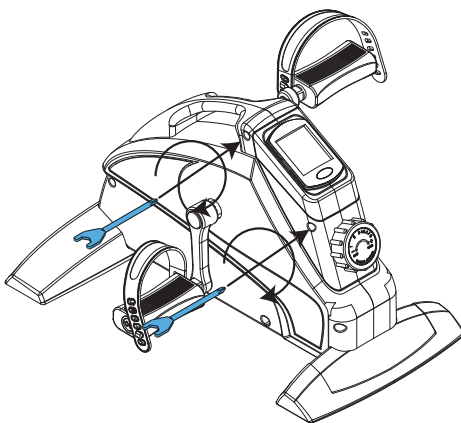
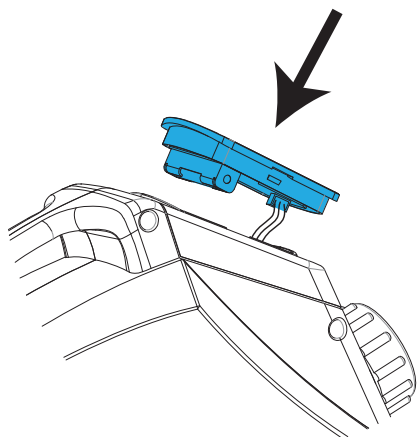
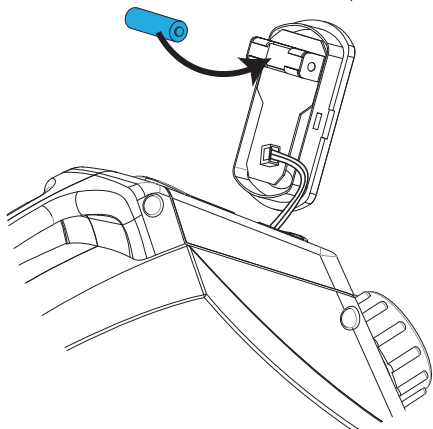
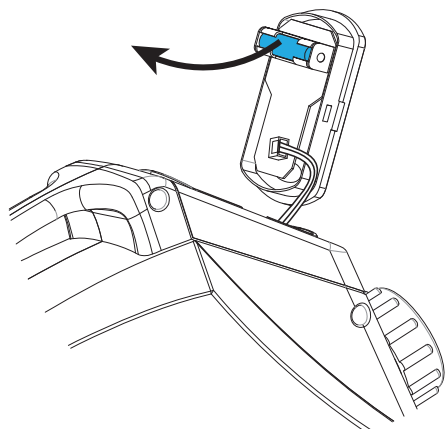
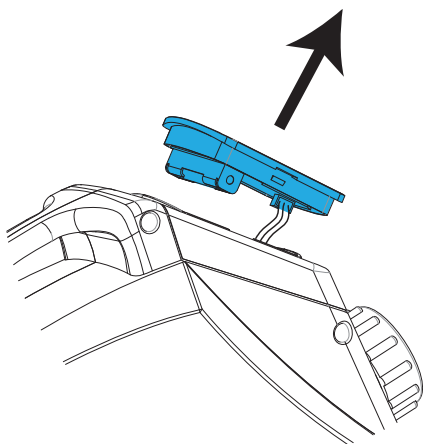
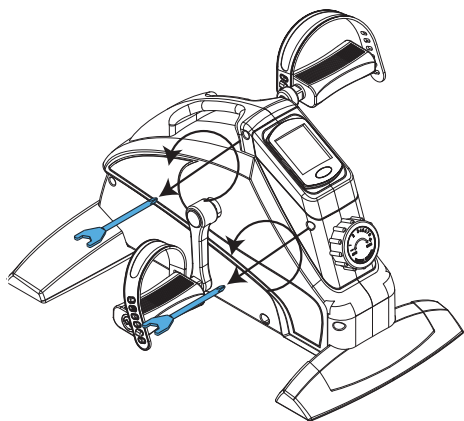


#41
Multi-Function wrench

D-2



E



Welcome

Welcome to the world of Tunturi New Fitness! Thank you for purchasing this piece of Tunturi equipment. Tunturi offers a wide range of home fitness equipment, including cross trainers, treadmills, exercise bikes and rowers. The Tunturi equipment is suitable for the entire family, no matter what fitness level. For more information, please visit our website www.tunturi.com

Safety warnings



WARNING

- Read the safety warnings and the instructions. Failure to follow the safety warnings and the instructions can cause personal injury or damage to the equipment. Keep the safety warnings and the instructions for future reference.
- The equipment is suitable for domestic use only. The equipment is not suitable for commercial use.
- Max. usage is limited to 3 hrs a day.
- The use of this equipment by children or persons with a physical, sensory, mental or motorial disability, or lack of experience and knowledge can give cause to hazards. Persons responsible for their safety must give explicit instructions or supervise the use of the equipment.
- Before starting your workout, consult a physician to check your health.
- If you experience nausea, dizziness or other abnormal symptoms, immediately stop your workout and consult a physician.
- To avoid muscular pain and strain, start each workout by warming up and finish each workout by cooling down. Remember to stretch at the end of the workout.
- The equipment is suitable for indoor use only. The equipment is not suitable for outdoor use.
- Only use the equipment in environments with adequate ventilation. Do not use the equipment in draughty environments in order not to catch a cold.
- Only use the equipment in environments with ambient temperatures between +15°C~+35°C / 59°F~95°F. Only store the equipment in environments with ambient temperatures between +5°C~+45°C / 41°F~113°F.
- Do not use or store the equipment in humid surroundings. The air humidity must never be more than 80%.
- Only use the equipment for its intended purpose. Do not use the equipment for other purposes than described in the manual.
- Do not use the equipment if any part is damaged or defective. If a part is damaged or defective, contact your dealer.
- Keep your hands, feet and other body parts away from the moving parts.
- Keep your hair away from the moving parts.
- Wear appropriate clothing and shoes.
- Keep clothing, jewellery and other objects away from the moving parts.
- Make sure that only one person uses the equipment at a time.
The equipment must not be used by persons weighing more than 100 kg (220 lbs).
- Do not open equipment without consulting your dealer.

Description (fig. A)

Your upright bike is a piece of stationary fitness equipment used to simulate cycling without causing excessive pressure to the joints.

Package contents (fig. B & C)

- The package contains the parts as shown in fig. B.
- The package contains the fasteners as shown in fig. C. Refer to the section "Description"

NOTE

- If a part is missing, contact your dealer.

Assembly (fig. D)

WARNING

- Assemble the equipment in the given order.
- Carry and move the equipment with at least two persons.

CAUTION

- Place the equipment on a firm, level surface.
- Place the equipment on a protective base to prevent damage to the floor surface.
- Allow at least 100 cm/ 40 inch of clearance around the equipment.
- Refer to the illustrations for the correct assembly of the equipment.

Workouts

The workout must be suitably light, but of long duration. Aerobic exercise is based on improving the body's maximum oxygen uptake, which in turn improves endurance and fitness. You should perspire, but you should not get out of breath during the workout.

To reach and maintain a basic fitness level, exercise at least three times a week, 30 minutes at a time. Increase the number of exercise sessions to improve your fitness level. It is

worthwhile to combine regular exercise with a healthy diet. A person committed to dieting should exercise daily, at first 30 minutes or less at a time, gradually increasing the daily workout time to one hour. Start your workout at low speed and low resistance to prevent the cardiovascular system from being subjected to excessive strain.

As the fitness level improves, speed and resistance can be increased gradually. The efficiency of your exercise can be measured by monitoring your heart rate and your pulse rate.

Exercise Instructions

Using your fitness trainer will provide you with several benefits, it will improve your physical fitness, tone muscle and in conjunction with a calorie controlled diet help you lose weight.

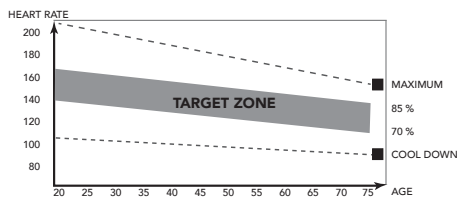
The warming up phase

This stage helps get the blood flowing around the body and the muscles working properly. It will also reduce the risk of cramp and muscle injury. It is advisable to do a few stretching exercises as shown below. Each stretch should be held for approximately 30 seconds, do not force or jerk your muscles into a stretch - if it hurts, STOP

The exercise phase

This is the stage where you put the effort in. After regular use, the muscles in your legs will become more flexible. Work to your but it is very important to maintain a steady tempo throughout.

The rate of work should be sufficient to raise your heart beat into the target zone shown on the graph below.



This stage should last for a minimum of 12 minutes though most people start at about 15-20 minutes

The cool down phase

This stage is to let your Cardiovascular System and muscles wind down. This is a repeat of the warm up exercise e.g. reduce your tempo, continue for approximately 5 minutes. The stretching exercises should now be repeated, again remembering not to force or jerk your muscles into the stretch.

As you get fitter you may need to train longer and harder. It is advisable to train at least three times a week, and if possible space your workouts evenly throughout the week.

Muscle toning

To tone muscle while on your fitness trainer you will need to have the resistance set quite high. This will put more strain on our leg muscles and may mean you cannot train for as long as you would like. If you are also trying to improve your fitness you need to alter your training program. You should train as normal during the warm up and cool down phases, but towards the end of the exercise phase you should increase resistance making your legs work harder. You will have to reduce your speed to keep your heart rate in the target zone.

Weight loss

The important factor here is the amount of effort you put in. The harder and longer you work the more calories you will burn. Effectively this is the same as if you were training to improve your fitness, the difference is the goal.

Use

Adjusting resistance

To increase or decrease resistance, turn the adjustment knob at the top of the handlebar support tube clockwise (+ direction) to increase resistance and counter-clockwise (- direction) to decrease resistance.

The scale above the knob (1-8) helps you find and reset a suitable resistance.

Replacing the batteries (Fig. E)

The console is equipped with 1 AAA batteries at the rear of the console.

- Loosen the two screws.
- Remove the console.
- Remove the old batteries.
- Insert the new batteries. Make sure that batteries match the (+) and (-) polarity markings.
- Mount the console.
- Fasten the two screws

Console



CAUTION

- Keep the console away from direct sunlight.
- Dry the surface of the console when it is covered with drops of sweat.
- Do not lean on the console.
- Only touch the display with the tip of your finger. Make sure that your nails or sharp objects do not touch the display.



NOTE

- The console switches to standby mode when the equipment is not used for 4 minutes.

Explanation Display functions

Scan

- Function display change every 4 seconds, Time, Speed, Odo, RPM, Dist, Cal.

Time

- Automatically accumulates workout time when exercising.
- Display range: 00:00 ~ 59:59.

Speed

- Displays current training speed.
- Range: 0 ~ 999.9 KM/h
- Without any signal being transmitted into the monitor for 4 seconds during workout, SPEED will display "0.0"

Odo

- Automatically accumulates the Total Rotations for all exercise sessions.
- Range: 00 ~ 9999 KM

Rpm

- Displays the Rotation Per Minute. Display range: 0 ~ 15 ~ 9999.
- Without any signal being transmitted into the monitor for 4 seconds during workout, RPM will display "0"

Dist

- Automatically accumulates the distance from exercise when exercising.
- Range: 0.00 ~ 9999 KM

Cal

- Automatically accumulates calories burnt when exercising.
- Range: 0 ~ 9999.

NOTE

- This data is a rough guide for comparison of different exercise sessions which cannot be used in medical treatment

Explanation of buttons

Mode/ Reset

- Press Mode/ Reset button to select console functions.
- Push and hold for 5 seconds in, stop Mode/ Reset, to reset: Time, Distance, Calories.

Operation

Power on

- Press any key to power on the console when being in sleep mode.
- Start pedalling to power on the console when being in sleep mode.

Power off

Without any signal being transmitted into the monitor for 4 minutes the monitor will enter SLEEP mode automatically. (Active training data will be lost)

Cleaning and maintenance

The equipment does not require special maintenance. The equipment does not require recalibration when it is assembled, used and serviced according to the instructions.

WARNING

- Do not use solvents to clean the equipment.

- Clean the equipment with a soft, absorbent cloth after each use.
- Regularly check that all screws and nuts are tight.
- If necessary, lubricate the joints.

Defects and malfunctions

Despite continuous quality control, defects and malfunctions caused by individual parts can occur in the equipment. In most cases, it will be sufficient to replace the defective part.

- If the equipment does not function properly, immediately contact the dealer.
- Provide the model number and the serial number of the equipment to the dealer. State the nature of the problem, conditions of use and purchase date.

Warranty

Tunturi purchaser's warranty

Warranty terms

The consumer is entitled to the applicable legal rights stated in the national legislation concerning the commerce of consumer goods. This warranty does not restrict these rights. The Purchaser's Warranty is only valid if the item is used in an environment approved by Tunturi New Fitness BV for that particular equipment. The product-specific approved environment is stated in the Owner's Manual provided with your equipment.

Warranty conditions

The warranty conditions commence from the date of purchase. Warranty conditions may vary per country, so please consult your local dealer for the warranty conditions.

Warranty coverage

Under no circumstances shall Tunturi New Fitness BV or the Tunturi Distributor be liable by virtue of this warranty or otherwise for any special, indirect, secondary or consequential damages of any nature arising out of any use or inability to use this equipment.

Warranty limitations

This warranty covers manufacturing defects in the fitness equipment as originally packed by Tunturi New Fitness BV. The warranty shall apply only under conditions of normal, recommended use of the product as described in the Owner's Manual and providing that Tunturi New Fitness BV's instructions for installation, maintenance and use have been complied with. Neither Tunturi New Fitness BV's nor the Tunturi Distributors'

obligations apply to defects due to reasons beyond their control. The warranty applies only to the original purchaser and is valid only in countries where Tunturi New Fitness BV has an authorised importer. The warranty does not extend to fitness equipment or components that have been modified without the consent of Tunturi New Fitness BV. Defects resulting from normal wear, misuse, abuse, corrosion, or damage incurred during loading or transportation are not covered.

The warranty does not cover sounds or noises emitted during use where these do not substantially impede the use of the equipment and where they are not caused by a fault in the equipment. The warranty does not cover defects arising from the failure to carry periodic maintenance as outlined within the Owner's Manual for the product. Furthermore, the warranty does not cover defects arising from usage and storage within an unsuitable environment as described within the Owner's Manual which should be indoors, dry, dust

and grit free and within a temperature range of +15°C to +35°C. The warranty does not cover maintenance activities, such as cleaning, lubricating, and normal part adjustments, nor installation

procedures that customers can accomplish themselves, such as changing uncomplicated meters, pedals and other similar parts not requiring any dismantling/reassembling of the fitness equipment. Warranty repairs carried out by other than authorised Tunturi representatives are not covered.

Failure to follow the instructions given in the Owner's Manual will invalidate the product's warranty.

Additional information

Packaging disposal

Government guidelines ask that we reduce the amount of waste material disposed of in land fill sites. We therefore ask that you dispose of all packaging waste responsibly at public recycling centres.

End of life disposal

We at Tunturi hope you enjoy many years of enjoyable use from your fitness trainer. However, a time will come when your fitness trainer will come to the end of its useful life. Under 'European WEEE Legislation you are responsible for the appropriate disposal of your fitness trainer to a recognised public collection facility.

Declaration of the manufacturer

Tunturi New Fitness BV declares that the product is in conformity with the following standards and directives: EN 957 (HC), 89/336/EEC. The product therefore carries the CE label.

01-2017

Tunturi New Fitness BV
Purmerweg 1
1311 XE Almere
The Netherlands

Disclaimer

© 2017 Tunturi New Fitness BV
All rights reserved.

The product and the manual are subject to change. Specifications can be changed without further notice.

Deutsch

Diese deutsche Bedienungsanleitung ist eine Übersetzung des englischen Textes. Es können keine Rechte auf diese Übersetzung abgeleitet werden.

Willkommen

Willkommen in der Welt von Tunturi!
Danke, dass Sie dieses Gerät von Tunturi erworben haben. Tunturi bietet eine breite Palette an Heim-Fitnessgeräten wie beispielsweise Crosstrainer, Laufbänder, Trainingsfahrräder und Rudergeräte an. Die Tunturi Geräte sind für die ganze Familie geeignet - ganz egal, wie fit man ist. Weitere Informationen finden Sie auf unserer Website unter www.tunturi.com

Warnhinweise zur Sicherheit



WARNUNG

- Lesen Sie die Warnhinweise zur Sicherheit und die Anweisungen. Werden die Warnhinweise zur Sicherheit und die Anweisungen nicht befolgt, kann dies zu Personenverletzungen und Schäden am Gerät führen. Bewahren Sie die Warnhinweise zur Sicherheit und die Anweisungen zur künftigen Bezugnahme auf.
- Das Gerät ist nur für den Hausgebrauch geeignet. Das Gerät ist nicht für den gewerblichen Gebrauch geeignet.
- Die maximale Verwendung ist auf 3 Stunden pro Tag beschränkt
- Wenn dieses Gerät von Kindern oder Personen mit körperlicher, sensorischer, geistiger oder motorischer Behinderung

verwendet wird, oder wenn nicht genügend Erfahrung und Kenntnisse vorhanden sind, kann dies zu Gefahrensituationen führen. Personen, die für deren Sicherheit verantwortlich sind, müssen klare Anweisungen geben oder den Gebrauch des Geräts beaufsichtigen.

- Bevor Sie Ihr Training starten, nehmen Sie Kontakt mit einem Arzt auf, um Ihre Gesundheit kontrollieren zu lassen.
- Falls Sie Übelkeit, ein Schwindelgefühl oder andere anormale Symptome verspüren, hören Sie unverzüglich mit Ihrem Training auf und wenden Sie sich an einen Arzt.
- Um einen Muskelkater zu vermeiden, starten Sie jedes Training mit Aufwärmen und beenden Sie es mit Abkühlen. Denken Sie daran, sich am Ende des Trainings zu dehnen.
- Das Gerät ist nur für den Gebrauch in geschlossenen Räumen geeignet. Das Gerät ist nicht für den Gebrauch im Freien geeignet.
- Verwenden Sie das Gerät nur in Umgebungen mit ausreichender Belüftung. Verwenden Sie das Gerät nicht in zugiger Umgebung, damit Sie sich nicht erkälten.
- Verwenden Sie das Gerät nur in Umgebungen mit Umgebungstemperaturen zwischen +15°C~+35°C / 59°F~95°F. Lagern Sie das Gerät nur in Umgebungen mit einer Umgebungstemperatur zwischen +5°C~+45°C / 41°F~113°F.
- Verwenden und lagern Sie das Gerät nicht in feuchten Umgebungen. Die Luftfeuchtigkeit darf niemals 80% überschreiten.
- Verwenden Sie das Gerät nur bestimmungsgemäß. Verwenden Sie das Gerät nicht für einen anderen als für den in diesem Handbuch beschriebenen Zweck.
- Verwenden Sie das Gerät nicht, falls Teile beschädigt oder defekt sind. Ist ein Teil beschädigt oder defekt, wenden Sie sich an Ihren Händler.

- Halten Sie Ihre Hände, Füße und andere Körperteile von den beweglichen Teilen fern.
- Halten Sie Ihr Haar von den beweglichen Teilen fern.
- Tragen Sie entsprechende Kleidung und Schuhe.
- Halten Sie Kleidung, Schmuck und andere Gegenstände von den beweglichen Teilen fern.
- Vergewissern Sie sich, dass das Gerät nur von einer Person auf einmal verwendet wird. Das Gerät darf nicht von Personen verwendet werden, deren Gewicht 100 kg (220 lbs) überschreitet.
- Öffnen Sie das Gerät nicht, ohne vorher mit Ihrem Händler zu sprechen.

Beschreibung (fig. A)

Ihr Standfahrrad ist ein ortsgebundenes Fitnessgerät, das zur Simulation des Fahrradfahrens verwendet wird, ohne dabei einen übermäßigen Druck auf die Gelenke auszuüben.

Verpackungsinhalt (Abb. B & C)

- Die Verpackung enthält die in Abb. B dargestellten Teile.
- Die Verpackung enthält die Befestigungsteile gemäß Abb. C. Siehe Abschnitt "Beschreibung".



HINWEIS

- Fehlt ein Teil, wenden Sie sich an Ihren Händler.

Zusammenbau (Abb. D)



WARNUNG

- Bauen Sie das Gerät in der angegebenen Reihenfolge zusammen.
- Tragen und bewegen Sie das Gerät mit mindestens zwei Personen.



VORSICHT

- Stellen Sie das Gerät auf festen, ebenen Boden.
- Stellen Sie das Gerät auf eine schützende Unterlage, um Schäden am Bodenbelag zu vermeiden.
- Sorgen Sie rund um das Gerät für einen Freiraum von mindestens 100 cm/ 40 inch.
- Der richtige Zusammenbau des Geräts geht aus den Abbildungen hervor.

Trainings

Das Training muss leicht und geeignet, aber von langer Dauer sein. Aerobic-Übungen basieren auf der Verbesserung der maximalen Sauerstoffaufnahme des Körpers, was wiederum die Ausdauer und Fitness verbessert. Sie sollten während des Trainings zwar ins Schwitzen, aber nicht außer Atem kommen.

Um eine Basisfitness zu erreichen und zu halten, üben Sie mindestens drei mal pro Woche 30 Minuten lang an einem Stück. Erhöhen Sie die Anzahl der Übungssitzungen, um Ihre Fitness zu verbessern. Es lohnt sich, die regelmäßigen Übungen mit einer gesunden Diät zu kombinieren. Personen, die Diät machen, sollten täglich zuerst 30 Minuten oder weniger an einem Stück üben und die tägliche Trainingszeit allmählich auf eine Stunde verlängern. Beginnen Sie Ihr Training mit niedriger Geschwindigkeit und geringem Widerstand, um zu vermeiden, dass

das Herzkreislaufsystem einer übermäßigen Belastung ausgesetzt wird. Mit sich verbessernder Fitness können Geschwindigkeit und Widerstand allmählich erhöht werden. Die Wirksamkeit Ihrer Übungen kann durch Überwachung der Herzfrequenz und Ihrer Pulsfrequenz gemessen werden.

Trainingsanleitung

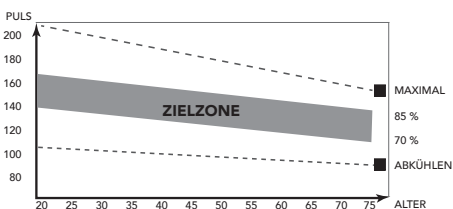
Die Verwendung des Fitnesstrainers wird Ihnen viele Vorteile bieten: Er verbessert Ihre körperliche Fitness, formt die Muskeln und hilft Ihnen, in Verbindung mit einer kalorienreduzierten Diät, Gewicht zu verlieren.

Die Aufwärm-Phase

Der Blutkreislauf wird angeregt und die Muskelfunktionen werden unterstützt. Außerdem wird das Risiko von Krämpfen und Muskelverletzungen gesenkt. Sie sollten, wie unten angezeigt, einige Dehnungsübungen machen. Sie sollten weder die Dehnungsbewegung erzwingen noch die Muskeln dabei ruckweise bewegen - wenn Sie Schmerzen haben, sollten Sie AUFHÖREN.

Die Trainings-Phase

In dieser Phase strengen Sie sich an. Nach regelmäßiger Verwendung werden die Muskeln in Ihren Beinen beweglicher. In dieser Phase ist es sehr wichtig, immer ein gleichmäßiges Tempo beizubehalten. Die Anstrengung sollte ausreichen, um Ihren Herzschlag bis in die Zielzone zu erhöhen, die im folgenden Diagramm dargestellt ist.



Diese Phase sollte mindestens 12 Minuten dauern; die meisten Menschen beginnen mit ca. 15 bis 20 Minuten.

Die Abkühlungs-Phase

Sie dient der Entspannung Ihres Herzkreislaufsystems und Ihrer Muskeln. Dabei werden die Aufwärmübungen wiederholt, reduzieren Sie zum Beispiel Ihr Tempo und machen Sie ca. 5 Minuten weiter. Jetzt sollten die Dehnübungen wiederholt werden. Denken Sie wiederum daran, weder die Dehnungsbewegung zu erzwingen noch die Muskeln dabei ruckweise zu bewegen. Wenn Sie fitter werden, kann es sein, dass Sie länger und härter trainieren müssen. Sie sollten mindestens drei Mal die Woche trainieren und, falls möglich, Ihre Trainingseinheiten gleichmäßig über die Woche verteilen.

Muskelformung

Um Ihre Muskeln beim Training auf dem Fitnesstrainer zu formen, müssen Sie den Widerstand ziemlich hoch einstellen. Dadurch werden die Beinmuskeln mehr angestrengt und Sie können möglicherweise nicht so lange trainieren, wie Sie möchten. Wenn Sie außerdem Ihre Fitness verbessern möchten, müssen Sie Ihr Trainingsprogramm ändern. Sie sollten in den Aufwärm- und Abkühlphasen normal trainieren, jedoch gegen Ende der Trainingsphase den Widerstand erhöhen, damit Ihre Beine härter arbeiten müssen. Sie müssen die Geschwindigkeit verringern, damit Ihre Herzfrequenz in der Zielzone bleibt.

Gewichtsabnahme

Der wichtige Faktor ist, wie sehr Sie sich anstrengen. Je härter und je länger Sie trainieren, desto mehr Kalorien verbrennen Sie. Dies ist im Grunde dasselbe, wie wenn zur Verbesserung Ihrer Fitness trainieren, nur das Ziel ist ein anderes.

Gebrauch

Widerstand einstellen

Zum Erhöhen oder Verringern des Widerstands. Drehen Sie den Widerstandstaste am Lenker in der + (Uhrzeigersinn) oder – (gegen den Uhrzeigersinn)

Die Verteilung (1-8) hilft mit dem Suchen der richtigen Einstellung

Erneuerung der Batterien (Fig E)

Die Konsole hat hinten 1 AAA-Batterien.

- Entfernen Sie die Abdeckung.
- Entfernen Sie die alten Batterien.
- Setzen Sie die neuen Batterien ein. Vergewissern Sie sich, dass die Batterien entsprechend den (+) und (-) Polaritätszeichen eingesetzt werden.
- Bringen Sie die Abdeckung an.

Konsole



VORSICHT

- Halten Sie die Konsole von direkter Sonneneinstrahlung fern.
- Trocknen Sie die Oberfläche der Konsole, wenn Sie mit Schweißtropfen bedeckt ist.
- Lehnen Sie sich nicht auf die Konsole.
- Berühren Sie die Anzeige nur mit Ihrer Fingerspitze. Vergewissern Sie sich, dass Ihre Nägel oder andere scharfe Gegenstände die Anzeige nicht berühren.



HINWEIS

- Die Konsole schaltet in den Standby-Modus, wenn das Gerät 4 Minuten lang nicht verwendet wird.

Erläuterung der Anzeigefunktionen

Scan

- Automatischer Scan in jedem Modus nacheinander alle 4 Sekunden., Time, Speed, Odo, RPM, Dist, Cal.

Time

- Summiert automatisch die Trainingszeit.
- Bereich: 00:00 ~ 59:59.

Speed (Geschwindigkeit)

- Aktuelle Trainingsgeschwindigkeit wird angezeigt.
- Bereich: 0 ~ 999.9 km/h.
- Wenn vier Sekunden lang ohne Training kein Signal auf den Monitor übertragen wird, zeigt SPEED „0,0“ an.

Odo

- Summiert automatisch die Gesamt-Umdrehungen für alle Trainingssitzungen.
- Bereich: 0 ~ 9999.

Rpm

- Umdrehungen pro Minute werden angezeigt
- Bereich: 0 ~ 9999.
- Wenn vier Sekunden lang ohne Training kein Signal auf den Monitor übertragen wird, zeigt U/Min „0“ an.

Dist

- Summiert automatisch die Trainingsstrecke.
- Bereich: 0,00 ~ 9999.

Cal

- Summiert automatisch die während des Trainings verbrannten Kalorien.
- Bereich: 0 ~ 9999.

**HINWEIS**

- Diese Daten sind ein grober Anhaltspunkt für den Vergleich verschiedener Trainingssitzungen. Sie können jedoch nicht für eine medizinische Behandlung verwendet werden

Erläuterung der Schalter

Mode/ Reset

- Wählen Sie eine Funktion aus, indem Sie auf die Taste Mode/ Reset drücken.
- Halten Sie die Taste Mode/ Reset 5 Sekunden lang gedrückt, um alle Funktionen zurückzusetzen: Time, Count, Calories.

Bedienung

Einschalten

- Drücken Sie auf eine beliebige Taste, wenn sich die Konsole im Ruhemodus befindet.
- Treten Sie in die Pedale, wenn sich die Konsole im Ruhemodus befindet.

Ausschalten

Wenn vier Sekunden lang ohne Training kein Signal auf den Monitor übertragen wird, wird dieser automatisch in den Ruhemodus geschaltet (SLEEP).

Reinigung und Wartung

Das Gerät bedarf keiner besonderen Wartung. Das Gerät muss nicht neu kalibriert werden, wenn es gemäß den Anweisungen zusammengebaut, verwendet und gewartet wird.

**WARNUNG**

- Entfernen Sie vor der Reinigung und Wartung den Adapter.
 - Verwenden Sie zur Reinigung des Geräts keine Lösungsmittel.
- Reinigen Sie das Gerät nach dem Gebrauch mit einem weichen aufnahmefähigen Lappen.
 - Prüfen Sie regelmäßig, ob alle Schrauben und Muttern fest sind.
 - Schmieren Sie die Gelenke, falls erforderlich.

Störungen und Fehlfunktionen

Trotz ständiger Qualitätskontrolle können durch Einzelteile verursachte Störungen und Fehlfunktionen am Gerät auftreten. In den meisten Fällen ist es ausreichend, das defekte Teil zu erneuern.

- Falls das Gerät nicht ordnungsgemäß funktioniert, wenden Sie sich unverzüglich an den Händler.
- Nennen Sie dem Händler Modell- und Seriennummer des Geräts. Schildern Sie die Art des Problems, die Gebrauchsbedingungen und das Kaufdatum.

Garantie

Eigentümer-garantie für Tunturi fitnessgeräte.**Garantiebedingungen**

Der Käufer ist berechtigt die den Handel mit Konsumgütern betreffenden gesetzlichen Rechte gemäß der nationalen Gesetzgebung in Anwendung zu bringen. Diese Rechte werden durch die Garantie nicht eingeschränkt. Bedingungen zu ersetzen. Die Eigentümer-Garantie gilt nur dann, wenn das Gerät

in einer für entsprechende Geräte der Tunturi New Fitness BV zugelassenen Anwendungsumgebung verwendet wird. Die für das Gerät zugelassene Anwendungsumgebung wird in der Bedienungsanleitung des Geräts genannt.

Garantiedauer

Die Garantie gilt ab Kaufdatum. Die Garantiedauer kann sich je nach Land unterscheiden. Bitte wenden Sie sich an Ihren zuständigen Händler, um die Garantiedauer zu erfahren.

Garantieumfang

Unter keinen Umständen haften die Tunturi New Fitness BV oder der Tunturi-Vertragshändler für dem Käufer möglicherweise zugefügte indirekte Schäden wie Gebrauchsbeeinträchtigung oder Einkommensverlust oder anderen wirtschaftlichen Folgeschäden.

Einschränkungen der garantie

Die Garantie deckt durch Herstellung oder Material hervorgerufene Fehler des Fitnessgeräts in dessen ursprünglicher Zusammensetzung. Unter Voraussetzung, dass die Aufbau-, Pflege- und Gebrauchsanweisungen von Tunturi befolgt wurden, erstreckt sich die Garantie auf solche Fehler, die bei normaler und einem dem Gerät beiliegenden Anleitungsbuch entsprechender Benutzung auftreten können. Die Tunturi New Fitness BV und der Tunturi-Vertragshändler haften nicht für Fehler, die durch Faktoren außerhalb ihrer Einflussmöglichkeiten hervorgerufen wurden. Die Garantie gilt nur für den ursprünglichen Eigentümer und nur in den Ländern, in denen es einen von der Tunturi New Fitness BV autorisierten Importeur gibt. Die Garantie gilt nicht für solche Fitnessgeräte oder Teile, an denen ohne Zustimmung der Tunturi New Fitness BV Veränderungen vorgenommen

worden sind. Die Garantie betrifft auch nicht solche Schäden, die durch natürlichen Verschleiß, fehlerhaften Gebrauch, Benutzung unter für das Gerät nicht vorgesehenen Umständen, Korrosion, Verladung oder Transport hervorgerufen wurden.

Ersatzleistungen aufgrund von Geräuschen, die beim Einsatz des Geräts auftreten, sind von der Garantie ausgeschlossen, sofern diese Geräusche den Gebrauch des Geräts nicht wesentlich beeinträchtigen und nicht durch einen Gerätefehler bedingt sind.

Die Garantie beinhaltet keine Wartungsmaßnahmen, wie Reinigung, Schmieren oder normales Kontrollieren der Teile, auch nicht solche Aufbaumaßnahmen, die der Kunde selbst ausführen kann und die kein spezielles Auseinander- oder Zusammenbauen des Fitnessgeräts erfordern. Zu solchen Maßnahmen gehört beispielsweise das Austauschen von Cockpits, Pedalen oder anderer entsprechender einfacher Teile. Andere als die durch einen autorisierten Tunturi-Vertreter ausgeführten Garantieleistungen werden nicht ersetzt. Durch unsachgemäße, d.h. nicht der Bedienungsanleitung entsprechenden, Bedienung, verfällt jedweder Garantieanspruch.

Zusätzliche Informationen

Verpackungsentsorgung

Staatliche Vorschriften sagen, dass wir die in Deponien entsorgten Abfallmengen verringern sollen. Daher bitten wir Sie, den gesamten Verpackungsabfall an öffentlichen Recyclingstellen abzugeben

Entsorgung am ende der Lebensdauer

Wir bei Tunturi hoffen, dass Sie Ihren Fitnesstrainer viele Jahre mit Freude nutzen werden. Jedoch wird irgendwann die Zeit kommen, wenn die Ende der Nutzungsdauer des Fitnesstrainers erreicht ist.

Gemäß den europäischen WEEE-Gesetzen sind Sie für eine geeignete Entsorgung des Fitnesstrainers bei einer anerkannten öffentlichen Entsorgungsstelle verantwortlich.

Herstellererklärung

Tunturi New Fitness BV erklärt hiermit, dass das Produkt folgenden Normen und Richtlinien entspricht: EN 957 (HC), 89/336/EWG. Das Produkt trägt daher das CE-Kennzeichen.

01-2017

Tunturi New Fitness BV
Purmerweg 1
1311 XE Almere
The Netherlands

Haftungsausschluss

© 2017 Tunturi New Fitness BV
Alle Rechte vorbehalten.

Produkt und Handbuch können geändert werden. Die technischen Daten können ohne Vorankündigung geändert werden.

Français

Ce manuel français est une traduction de la version anglaise. Notez que la version anglaise est en tête dans le contenu lorsque des différences sont trouvées.

Bienvenue

Bienvenue dans l'univers de Tunturi Fitness ! Merci pour votre achat de cet élément d'équipement Tunturi. Tunturi offre toute une gamme d'équipements de fitness professionnels, notamment des vélos elliptiques, tapis de course, vélos d'appartement, rameurs et accessoires. Les équipements Tunturi sont parfaits pour toute la famille, quel que soit le niveau de forme de ses membres. Pour en savoir plus, visitez notre site Web www.tunturi.com

Avertissements de sécurité



AVERTISSEMENT

- Lisez les avertissements de sécurité et les instructions. Le non respect des avertissements de sécurité et des instructions est une source de blessure et de dégâts de l'équipement. Conservez les avertissements de sécurité et les instructions pour référence ultérieure.
- L'équipement est uniquement adapté à un usage domestique. L'équipement ne convient pas à un usage commercial.
- La durée d'utilisation maximum est limitée à 3 heures par jour.
- L'emploi de cet équipement par des enfants ou des personnes affectés d'un handicap physique, sensoriel, mental ou moteur, voire dont l'expérience ou les connaissances s'avèrent insuffisantes est une source de risques. Les personnes chargées de leur sécurité doivent leur fournir des instructions explicites ou superviser leur usage de l'équipement.
- Avant de commencer vos exercices, effectuez un bilan de santé auprès d'un médecin.
- Si vous êtes pris de nausées ou de vertiges ou sentez d'autres symptômes normaux pendant l'entraînement, interrompez immédiatement la session et consultez votre médecin.
- Afin d'éviter toutes douleurs et tensions musculaires, commencez vos séances par des échauffements et terminez-les par une récupération. N'oubliez pas de vous étirer après vos exercices.
- L'équipement est uniquement adapté à un usage intérieur. L'équipement ne convient pas à un usage extérieur.
- Utilisez l'équipement uniquement dans des environnements correctement ventilés. N'utilisez pas l'équipement dans des endroits exposés aux courants d'air afin de ne pas vous enrhumér.
- Utilisez l'équipement uniquement à une température ambiante entre +15°C~+35°C / 59°F~95°F. Rangez l'équipement uniquement à une température ambiante entre +5°C~+45°C / 41°F~113°F.
- N'utilisez et ne rangez pas l'équipement dans un environnement humide. L'humidité de l'air ne doit jamais dépasser 80 %.
- Utilisez l'équipement uniquement pour son usage prévu. N'utilisez pas l'équipement pour d'autres usages que ceux décrits dans le manuel.
- N'utilisez pas l'équipement si l'une de ses pièces est endommagée ou défectueuse. Si une pièce est endommagée ou défectueuse, contactez votre revendeur.
- Maintenez vos mains, vos pieds et les autres parties de votre corps à l'écart des pièces

- mobiles.
- Maintenez votre chevelure à l'écart des pièces mobiles.
- Portez des vêtements et des chaussures adaptés.
- Maintenez les vêtements, bijoux et autres objets à l'écart des pièces mobiles.
- Assurez-vous qu'une seule personne utilise l'équipement à la fois. L'équipement e doit pas être utilisé par des personnes pesant plus de 100 kg (220 lbs).
- N'ouvrez pas l'équipement sans consulter votre revendeur.

Description (fig. A)

Votre vélo vertical est un élément d'équipement de fitness stationnaire servant à simuler le cyclisme sans exercer de pression excessive sur les jointures.

Contenu de l'emballage (fig. B & C)

- L'emballage contient les pièces illustrées en fig. B.
- L'emballage contient les fixations illustrées en fig. C. Voir la section "Description".



NOTE

- Si une pièce manque, contactez votre revendeur.

Assemblage (fig. D)



AVERTISSEMENT

- Assemblez l'équipement dans l'ordre indiqué.
- Deux personnes au moins sont nécessaires pour transporter et déplacer l'équipement.



PRÉCAUTION

- Placez l'équipement sur une surface plane et ferme.
- Placez l'équipement sur une base protectrice pour éviter d'endommager la surface du sol.
- Prévoyez un dégagement d'au moins 100 cm/ 40 inch autour de l'équipement.
- Consultez les illustrations pour l'assemblage correct de l'équipement.

Exercices

Un exercice doit être suffisamment léger mais prolongé. L'exercice aérobie repose sur l'amélioration de l'absorption maximum d'oxygène par le corps, améliorant à son tour l'endurance et la forme. Vous devez transpirer mais sans jamais être à bout de souffle durant l'exercice.

Pour atteindre et entretenir un niveau de forme basique, exercez-vous au moins 3 fois par semaine, par session de 30 minutes. Accroissez le nombre des sessions d'exercice pour améliorer votre niveau de forme. Il est profitable de combiner un exercice régulier et un régime sain. Une personne suivant un régime doit s'exercer au quotidien, au début 30 minutes ou moins pour chaque session afin d'accroître ensuite progressivement le temps d'exercice quotidien pour atteindre une heure. Commencez vos exercices à une vitesse lente et avec une faible résistance pour éviter de soumettre le système cardiovasculaire à une contrainte excessive. À mesure de l'amélioration de votre forme, accroissez progressivement la vitesse et la résistance. L'efficacité de votre exercice est mesurable en suivant votre fréquence cardiaque et votre pouls.

Instructions d'entraînement

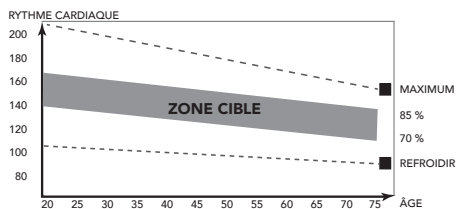
L'utilisation de votre appareil de fitness vous procurera plusieurs avantages : il vous permettra d'améliorer votre forme physique, de tonifier vos muscles et, associé à un régime hypocalorique, de perdre du poids.

Phase d'échauffement

Cette étape favorise la circulation du sang dans tout le corps et le bon fonctionnement des muscles. Elle réduit également le risque de crampes et de lésions musculaires. Il est conseillé de faire quelques exercices d'étirement, comme ceux qui sont indiqués ci-dessous. Chaque étirement doit être maintenu pendant environ 30 secondes. Ne forcez pas ou n'étirez pas excessivement un muscle. Si vous sentez qu'une position vous fait mal, ARRÊTEZ.

Phase d'exercice

C'est l'étape principale de votre entraînement. Après une utilisation régulière de l'appareil, vous sentirez que les muscles de vos jambes ont gagné en souplesse. Il est très important de maintenir un rythme régulier tout au long de la séance. Le rythme de travail doit être suffisant pour faire monter votre rythme cardiaque dans la zone cible indiquée sur le graphique ci-dessous.



Cette étape doit durer au moins 12 minutes, bien que l'on commence généralement à environ 15-20 minutes.

Phase de refroidissement

Cette étape a pour objectif de laisser votre système cardiovasculaire et vos muscles reprendre leur rythme normal. Il s'agit d'une répétition de l'exercice d'échauffement. Baissez le rythme et continuez pendant environ 5 minutes. Vous devez ensuite refaire les exercices d'étirement et souvenez-vous de ne pas forcer ou trop étirer un muscle dans une certaine position.

À mesure que vous améliorerez votre forme, vous ressentirez peut-être le besoin de vous entraîner plus longtemps ou de faire des entraînements plus poussés. Il est conseillé de s'entraîner au moins trois fois par semaine et, si possible, d'espacer les séances régulièrement tout au long de la semaine.

Tonification musculaire

Pour tonifier vos muscles à l'aide de l'appareil de fitness, vous devrez sélectionner une résistance assez élevée. Les muscles de vos jambes seront davantage sollicités et vous ne pourrez peut-être pas vous entraîner aussi longtemps que vous le voudriez. Si vous souhaitez également améliorer votre forme, vous devrez modifier votre programme d'entraînement. Entraînez-vous normalement pendant les phases d'échauffement et de refroidissement, mais vers la fin de l'exercice, augmentez la résistance en faisant travailler vos jambes davantage. Vous devrez réduire la vitesse pour maintenir votre rythme cardiaque dans la zone cible.

Perte de poids

Ici, le facteur important est l'effort que vous déployez. Plus vous entraînez longtemps et de manière soutenue, plus vous brûlerez de calories. C'est en réalité le même principe que pour l'entraînement d'amélioration de la forme ; la différence est l'objectif recherché.

Usage

Régler a résistance

Pour augmenter ou diminuer la résistance, tournez le bouton de réglage situé sur le tube de support du guidon dans le sens des aiguilles d'une montre (vers le +) pour augmenter la résistance et dans le sens inverse des aiguilles d'une montre (vers le -) pour réduire la résistance.

L'échelle au-dessus du bouton (1-8) vous aide à trouver et à redéfinir une résistance aptée.

Remplacement des piles (Fig. E)

La console comporte 1 piles AAA sur sa partie arrière.

- Retirez le cache.
- Retirez les piles usagées.
- Insérez les nouvelles piles. Assurez-vous de respecter les indications de polarité (+) et (-).
- Montez le cache.

Console



PRÉCAUTION

- Maintenez la console à l'écart de la lumière directe du soleil.
- Séchez la surface de la console dès qu'elle est couverte de gouttes de sueur.
- Ne vous appuyez pas sur la console.
- Touchez l'affichage uniquement avec le bout du doigt. Assurez-vous de ne pas toucher l'affichage avec vos ongles ou des objets coupants.



NOTE

- La console passe en mode de veille si l'équipement n'est pas utilisé pendant 4 minutes.

Explication des fonctions à l'écran

Scan

- Scanne automatiquement dans chaque mode en fréquence toutes les 4 Time, Speed, Odo, RPM, Dist, Cal.

Time

- Additionne automatiquement la durée de l'entraînement.
- Plage: 00:00 ~ 59:59.

Speed (Vitesse)

- Affiche la vitesse actuelle d'entraînement.
- Plage: 0 ~ 999.9 Km/h.
- SPEED affiche « 0.0 » si aucun signal n'est transmis au moniteur pendant 4 secondes au cours de l'entraînement.

Odo

- Additionne automatiquement la rotations totale parcourue lors des différentes séances d'entraînement.
- Plage: 0 ~ 9999 Km.

Rpm

- Affichage des rotations par minute
- Plage: 0 ~ 9999.
- RPM affiche « 0 » si aucun signal n'est transmis au moniteur pendant 4 secondes au cours de l'entraînement.

Dist

- Additionne automatiquement la distance parcourue pendant l'entraînement.
- Portée: 0.00 ~ 9999 Km.

Cal

- Additionne automatiquement les calories brûlées pendant l'entraînement.
- Portée: 0 ~ 9999.

NOTE

- Ces données sont fournies à titre indicatif pour comparer entre différentes séances d'entraînement ; elles ne doivent pas être utilisées dans le cadre d'un traitement médical.

Explication des boutons

Mode/ Reset

- Choisir chaque fonction en appuyant sur la touche Mode/ Reset
- Maintenir la touche Mode/ Reset enfoncée pendant 5 secondes pour réinitialiser toutes les: Time, Count, Calories.

Fonctionnement

Marche

- Appuyer sur une touche pour mettre en marche la console en mode veille.
- Commencer à pédaler pour mettre en marche la console en mode veille.

Mettre hors tension

Le moniteur passe automatiquement en mode SLEEP (veille) si aucun signal n'est transmis au moniteur pendant 4 minutes.

Nettoyage et maintenance

Cet équipement ne nécessite aucune maintenance spéciale. L'équipement n'a besoin d'aucune calibration après son assemblage, son utilisation et son entretien conformément aux instructions.

AVERTISSEMENT

- Avant le nettoyage et la maintenance, retirez l'adaptateur.
 - N'utilisez aucun solvant pour nettoyer l'équipement.
- Nettoyez l'équipement avec un chiffon doux et absorbant après chaque usage.
 - Vérifiez régulièrement le serrage de tous les écrous et vis.
 - Si nécessaire, lubrifiez les joints.

Défauts et dysfonctionnements

Malgré un contrôle continu de la qualité, des défauts ou des dysfonctionnements peuvent être occasionnés par des composants individuels. La plupart du temps, il vous suffit de remplacer la pièce défectueuse.

- Si l'équipement ne fonctionne pas correctement, contactez immédiatement le revendeur.
- Fournissez le numéro de modèle et le numéro de série de l'équipement au revendeur. Mentionnez la nature du problème, les conditions d'usage et la date d'achat.

Garantie

Garantie du propriétaire d'un équipement de Tunturi

Conditions de garantie

Le consommateur dispose des droits légaux accordés par la législation nationale applicable au commerce des produits de consommation courante et cette garantie ne limite ces droits en aucun cas. La « Garantie du propriétaire

» est valable uniquement si l'équipement est utilisé dans l'environnement correspondant à celui déterminé par Tunturi New Fitness BV. L'environnement d'utilisation de chaque appareil est mentionné dans le mode d'emploi fourni avec l'appareil en question.

Conditions de garantie

Les conditions de garantie sont applicables à compter de la date d'achat et peuvent varier selon les pays. Demandez conseil à votre revendeur.

Étendue de la garantie

En aucun cas Tunturi New Fitness BV, le revendeur ou le distributeur Tunturi ne répondra des éventuels dommages spéciaux, indirects, secondaires ou consécutifs, de quelque nature que ce soit, liés à l'utilisation de ou à l'inaptitude à utiliser cet équipement.

Restrictions de garantie

La garantie couvre les défauts de fabrication et de matériaux dans un équipement d'origine, sorti d'usine et conditionné par Tunturi New Fitness BV. La garantie couvre uniquement les défauts apparaissant lors d'une utilisation normale et conforme aux instructions du manuel du propriétaire, à condition que les instructions de montage, de maintenance et d'utilisation établies par Tunturi New Fitness BV aient été respectées. Tunturi New Fitness BV et les revendeurs Tunturi ne répondent pas des défauts occasionnés par des conditions indépendantes de leur volonté. La garantie est applicable uniquement au premier acheteur et est valable uniquement dans les pays où Tunturi New Fitness BV dispose d'un distributeur agréé. La garantie ne s'étend pas aux équipements de fitness ou aux pièces qui ont été modifiées sans l'autorisation de Tunturi New Fitness BV. La garantie ne s'applique pas aux défauts provenant d'une usure normale, d'une

utilisation inadaptée, d'une utilisation dans des conditions non prévues par le fabricant, de la corrosion ou d'un dommage intervenu lors du chargement ou du transport.

La garantie ne couvre pas les sons ou les bruits émis par l'équipement s'ils ne gênent pas son utilisation et s'ils ne sont pas provoqués par un dysfonctionnement.

La garantie ne couvre pas non plus les mesures de maintenance, telles que le nettoyage, la lubrification ou la vérification normale des pièces, ni les actions que le client peut effectuer lui-même et qui n'exigent pas particulièrement de monter/ démonter l'équipement. Ces actions sont par exemple le changement des compteurs, des pédales ou autres pièces similaires faciles à changer. Seules les réparations sous garantie effectuées par un revendeur ou par le distributeur agréé Tunturi seront prises en charge. Le non-respect des instructions décrites dans le Manuel de l'Utilisateur entraînera l'annulation de la garantie.

Informations supplémentaires

Élimination des emballages

Les réglementations gouvernementales nous demandent de réduire la quantité de matériaux déposés dans les décharges. C'est pour cela que nous faisons appel à votre responsabilité et vous demandons de déposer les emballages dans des centres de recyclage publics.

Élimination du produit

Chez Tunturi, nous espérons que vous profiterez longtemps de votre appareil de fitness. Cependant, nous savons bien qu'un jour ou l'autre votre machine arrivera au terme de sa vie utile.

Selon la directive européenne sur les DEEE, vous êtes responsable de vous séparer correctement de votre appareil de fitness en le déposant dans un site public agréé de récupération des déchets.

Déclaration du fabricant

Tunturi Fitness BV déclare que le produit est conforme aux directives et normes suivantes : EN 957 (HC), 89/336/CEE. Ce produit porte donc la marque CE.

01-2017

Tunturi New Fitness BV
Purmerweg 1
1311 XE Almere
Pays-Bas

Limite de responsabilité

© 2017 Tunturi New Fitness BV
Tous les droits réservés.

Le produit et le manuel sont sujets à modifications. Les spécifications peuvent changer sans préavis.

Nederlands

Deze Nederlandse handleiding is een vertaling van de Engelse tekst. Aan deze vertaling kunnen geen rechten ontleend worden. De originele Engelse tekst blijft leidend.

Welkom

Welkom in de wereld van Tunturi Fitness! Hartelijk dank voor uw aankoop van dit Tunturi-toestel. Tunturi biedt een grote verscheidenheid aan professionele toestellen zoals crosstrainers, loopbanden, fietstrainers, roemachines en accessoires. Het Tunturi-toestel is geschikt voor de hele familie, onafhankelijk van de conditie. Meer informatie vindt u op de website www.tunturi.com

Veiligheids- waarschuwingen



WAARSCHUWING

- Lees de veiligheid-waarschuwingen en de instructies. Het niet opvolgen van de veiligheid-waarschuwingen en de instructies kan persoonlijk letsel of beschadiging van het toestel veroorzaken. Bewaar de veiligheid-waarschuwingen en instructies voor toekomstig gebruik.
- Het toestel is uitsluitend geschikt voor huishoudelijk gebruik. Het toestel is niet geschikt voor commercieel gebruik.
- Het maximum gebruik is beperkt tot 3 uur per dag
- Het gebruik van dit toestel door kinderen of personen met fysieke, sensorische, geestelijke of motorische handicaps, of met gebrek aan ervaring en kennis kan gevaar veroorzaken. De personen die verantwoordelijk zijn voor hun veiligheid moeten uitdrukkelijke instructies geven of toezicht houden op het gebruik van het toestel.
- Laat uw gezondheid door een arts controleren voordat u met uw training begint.
- Als u misselijkheid, duizeligheid of andere abnormale symptomen ervaart, stop dan onmiddellijk met uw training en raadpleeg een arts.
- Om spierpijn en te zware belasting te voorkomen, moet u elke training beginnen met een warming-up en eindigen met een cooling-down. Vergeet niet om uw spieren te strekken aan het einde van de training.
- Het toestel is uitsluitend geschikt voor gebruik binnenshuis. Het toestel is niet geschikt voor gebruik buitenshuis.
- Gebruik het toestel alleen in een omgeving met voldoende ventilatie. Gebruik het toestel niet in een tochtige omgeving om geen kou te vatten.
- Gebruik het toestel alleen in een omgeving met een omgevingstemperatuur tussen +15°C~+35°C / 59°F~95°F. Berg het toestel alleen op bij een omgevingstemperatuur tussen +5°C~+45°C / 41°F~113°F.
- Gebruik het toestel niet in een vochtige omgeving. Berg het toestel niet op in een vochtige omgeving. De luchtvochtigheid mag nooit meer zijn dan 80%.
- Gebruik het toestel alleen voor het doel waarvoor het gemaakt is. Gebruik het toestel niet voor andere doelstellingen dan beschreven in de handleiding.
- Gebruik het toestel niet als een onderdeel is beschadigd of niet goed werkt. Raadpleeg uw dealer als een onderdeel is beschadigd of niet goed werkt.
- Houd uw handen, voeten en andere lichaamsdelen uit de buurt van de bewegende delen.
- Houd uw haar uit de buurt van de bewegende delen.

- Draag geschikte kleding en schoenen.
- Houd kleding, sieraden en andere voorwerpen uit de buurt van de bewegende delen.
- Zorg ervoor dat het toestel slechts door één persoon tegelijk wordt gebruikt. Het toestel mag niet worden gebruikt door personen die meer dan 100 kg (220 lbs) wegen.
- Maak het toestel niet open zonder eerst uw dealer te raadplegen.

Beschrijving (fig. A)

Uw fietstrainer is een stationair fitnessstoelstel dat wordt gebruikt voor het nabootsen van fietsen zonder dat de gewrichten te veel belast worden.

Inhoud van de verpakking (fig. B & C)

- De verpakking bevat de onderdelen zoals aangegeven in fig. B.
- De verpakking bevat de bevestigingsmiddelen zoals aangegeven in fig. C. Raadpleeg het gedeelte "Beschrijving".



LET OP

- Raadpleeg uw dealer als een onderdeel ontbreekt.

Assemblage (fig. D)



WAARSCHUWING

- Monteer het apparaat in de aangegeven volgorde.
- Draag en verplaats het toestel met minstens twee personen.



VOORZICHTIG

- Zet het toestel op een stevige, vlakke ondergrond.
- Zorg voor een beschermende laag onder het toestel om schade aan het vloeroppervlak te voorkomen.
- Houd rondom de apparatuur ten minste een bewegingsruimte van 100 cm.
- Raadpleeg de illustraties voor de juiste assemblage van het toestel.

Trainingen

De training moet licht genoeg zijn, maar wel langdurig. Aerobische training is gebaseerd op verbetering van de maximale zuurstofopname van het lichaam, die dan het uithoudingsvermogen en de conditie weer verbetert. U moet tijdens de training wel transpireren, maar u mag niet buiten adem raken.

Voor het bereiken en in stand houden van een basisconditie moet u minstens drie keer per week steeds 30 minuten trainen. Verhoog het aantal trainingssessies ter verbetering van uw conditie. Het is de moeite waard om regelmatige lichaamsbeweging met gezonde voeding te combineren. Iemand die zich goed aan een dieet houdt, zou elke dag moeten trainen te beginnen met 30 minuten of korter, en de dagelijkse trainingsduur geleidelijk opvoeren tot één uur. Begin uw training bij een lage snelheid en een lage weerstand om te voorkomen dat uw hart en bloedvaten te sterk belast worden. Naarmate uw conditie verbetert, kunnen snelheid en weerstand geleidelijk worden verhoogd. De doelmatigheid van uw training kan worden gemeten door uw hartslag.

Instructies

Het gebruik van dit fitness apparaat biedt meerdere voordelen: u verbetert uw fysieke conditie, u versterkt uw spieren en u valt in combinatie met een caloriearm dieet af.

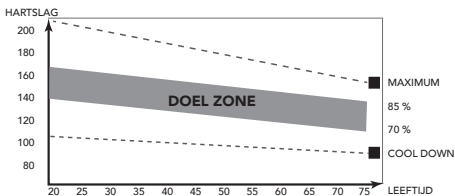
De warming-up

In deze fase wordt uw bloedsomloop gestimuleerd voor een juiste werking van de spieren. Tevens wordt het risico op kramp en spier-letsel verminderd. Wij raden u aan enkele stretch oefeningen te doen, zoals hieronder beschreven. Houd elke stretch oefening ongeveer 30 seconden vol. Forceer uw spieren niet bij het stretchen. STOP als het pijn doet

De training fase

Dit is de fase waarin u de meeste inspanning levert. Na regelmatig gebruik worden de spieren in uw benen flexibeler. Het is in deze fase zeer belangrijk dat u een gelijkmatig tempo aanhoudt.

De snelheid moet voldoende zijn om uw hartslag te laten stijgen naar de doel zone die in de onderstaande grafiek te zien is.



Deze fase moet minimaal 12 minuten duren, maar de meeste mensen beginnen met ongeveer 15-20 minuten.

De cooling down

In deze fase ontspant u uw cardiovasculaire systeem en spieren. Dit is een herhaling van de warming-uptraining. Verlaag dus uw tempo

en ga ongeveer 5 minuten door. Herhaal nu de stretch-oefeningen. Forceer uw spieren niet tijdens het stretchen.

Naarmate u fitter wordt, moet u langer en harder trainen. Het is raadzaam minstens drie keer per week te trainen en zo nodig uw oefeningen gelijkmatig over de week te verspreiden.

Spierversteviging

Als u uw spieren wilt verstevigen met behulp van dit fitnessapparaat, stelt u de weerstand in op hoog. Zo komt er meer spanning op uw beenspieren. Mogelijk kunt u niet zo lang trainen als u zou willen. Als u ook uw conditie wilt verbeteren, moet u het trainingsprogramma aanpassen. Tijdens de warming-up en cooling-down traint u zoals normaal, maar tegen het eind van de trainingsfase verhoogt u de weerstand zodat uw benen harder moeten werken. Verlaag hierbij de snelheid zodat uw hartslag in de doelzone blijft.

Gewichtverlies

Hierbij is het van belang hoeveel inspanning u levert. Hoe harder en langer u werkt, hoe meer calorieën u verbrandt. In feite is dit hetzelfde als wanneer u zou trainen om uw conditie te verbeteren. Het doel is alleen anders.

Gebruik

Weerstand aanpassen

Om de weerstand te verhogen of verlagen draait u de weerstandsknop aan de stuurbuis met de klok mee (+ richting) om de weerstand te verhogen en tegen de klok in (- richting) om de weerstand te verlagen.

De schaalverdeling boven de knop (1-8) helpt u bij het vinden en opnieuw instellen van een passende weerstand.

Vervangen van de batterijen (Fig E)

De console is uitgerust met 1 AAA-batterijen aan de achterkant van de console.

- Verwijder het deksel.
- Verwijder de oude batterijen.
- 3. Plaats de nieuwe batterijen. Zorg ervoor dat de (+) en (-) polariteitsmarkeringen van de batterijen op de goede plaats zitten.
- Monteer het deksel.

Console



VOORZICHTIG

- Houd de console uit de buurt van direct zonlicht.
- Droog het oppervlak van de console wanneer het met zweetdruppels is bedekt.
- Leun niet op de console.
- Raak de display alleen met uw vingertop aan. Raak de display niet aan met uw nagels of een scherp voorwerp.



LET OP

- De console gaat naar standby wanneer het toestel gedurende 4 minuten niet wordt gebruikt.

Uitleg van de weergavefuncties

Scan

- Elke 4 seconden wordt automatisch op volgorde door elke modus: Time, Speed, Odo, RPM, Dist, Cal.

Time

- Telt automatisch de trainingstijd op terwijl u traint.

- Bereik: 00:00 ~ 59:59.

Speed

- Hier ziet u de huidige snelheid.
- Bereik: 0 ~ 999.9 km/h.
- Wanneer tijdens de workout gedurende 4 seconden geen signaal naar de monitor wordt verzonden, staat SPEED op '0.0'.

Odo

- Telt automatisch de totale rotaties op van alle trainingssessies.
- Bereik: 0 ~ 9999.

Rpm

- Weergave van de rotaties per minuut
- Bereik: 0 ~ 9999.
- Wanneer tijdens de workout gedurende 4 seconden geen signaal naar de monitor wordt verzonden, staat RPM op '0'.

Dist

- Telt automatisch de afstand op die u aflegt terwijl u traint.
- Bereik: 0.00 ~ 9999.

Cal

- Telt automatisch de calorieën op die u verbrandt terwijl u traint.
- Bereik: 0 ~ 9999.



LET OP

- Deze gegevens zijn een richtlijn voor de vergelijking van verschillende trainingssessies en kunnen niet voor medische behandelingen worden gebruikt.

Werking van de knoppen

Mode/ Reset

- Druk op de toets Mode/ Reset om een functie te kiezen.

- Houd de toets Mode/ Reset 5 seconden ingedrukt om alle functies te resetten: Time, Count, Calories.

Bediening

Inschakelen

- Wanneer het apparaat zich in de slaapmodus bevindt, drukt u op een willekeurige toets op de console om het apparaat in te schakelen.
- U kunt ook gaan fietsen om het apparaat te activeren.

Uitschakelen

Wanneer gedurende 4 minuten geen signaal naar de monitor wordt verzonden, schakelt het apparaat automatisch naar de slaapmodus.

Reiniging en onderhoud

Het toestel vereist geen speciaal onderhoud. Het toestel behoeft geen kalibratie wanneer het wordt geassembleerd, gebruikt en onderhouden overeenkomstig de instructies.



WAARSCHUWING

- Verwijder voor reiniging of onderhoud de adapter.
 - Gebruik geen oplosmiddelen om het toestel te reinigen.
- Reinig het toestel na elk gebruik met een zachte absorberende doek.
 - Controleer regelmatig of alle schroeven en moeren goed vast zitten.
 - Smeer indien nodig de draaipunten.

Defecten en storingen

Ondanks voortdurende kwaliteitscontrole kan het gebeuren dat het toestel door individuele onderdelen defect is of niet goed werkt. In de meeste gevallen zal het voldoende zijn om het defecte onderdeel te vervangen.

- Als het toestel niet goed werkt, neem dan onmiddellijk contact op met de dealer.
- Geef het modelnummer en serienummer van het toestel op aan de dealer. Vertel wat de aard van het probleem is, hoe het toestel wordt gebruikt en wanneer u het toestel heeft gekocht.

Transport en opslag



WAARSCHUWING

- Verwijder voor transport en opslag de adapter.
 - Draag en verplaats het toestel met minstens twee personen.
- Blijf aan weerskanten aan de voorkant van het toestel staan en pak de handgrepen stevig vast. Til de voorkant van het toestel op zodat de achterkant van het toestel op de wielen komt te rusten. Verplaats het toestel en zet het voorzichtig neer. Zorg voor een beschermende laag onder het toestel om schade aan het vloeroppervlak te voorkomen.
 - Verplaats het toestel voorzichtig over een ongelijke ondergrond. Breng het toestel niet met behulp van de wielen naar boven, maar draag het toestel bij de handgrepen.
 - Berg het toestel op een droge plaats op met zo weinig mogelijk temperatuurwisselingen.

Garantie

Garantie voor eigenaars van Tunturi trainingsapparatuur

Garantievoorwaarden

De consument ontleent wettelijke rechten aan de van toepassing zijnde nationale wetgeving aangaande de handel in consumentengoederen en de garantie zal deze rechten niet beperken. De "Garantie voor de Eigenaar" geldt alleen dan wanneer het toestel wordt gebruikt in de door Tunturi New Fitness BV voor dat toestel toegestane gebruiksomgeving. Voor elk toestel wordt de toegestane gebruiksomgeving beschreven in de gebruiksaanwijzing van het toestel.

Garantievoorwaarden

De garantievoorwaarden gaan in vanaf de datum van aankoop. Deze kunnen per land verschillen. Vraag in de winkel bij u in de buurt naar de garantievoorwaarden.

Garantiedekking

In geen enkele omstandigheid zal Tunturi New Fitness BV of een wederverkoper van Tunturi aansprakelijk zijn voor eventuele indirecte schade geleden door de koper, zoals verlies van gebruiksnuut of inkomstenderving of andere indirecte economische gevolgen.

Garantiebeperkingen

De garantie dekt defecten van het toestel die het gevolg zijn van materiaalfouten of onjuist uitgevoerd werk, mits het toestel zijn originele samenstelling heeft. De garantie betreft alleen defecten die blijken tijdens normaal gebruik overeenkomstig de meegeleverde gebruiksaanwijzing, mits de montage-, onderhouds- en gebruiksaanwijzingen van Tunturi zijn opgevolgd. Tunturi New Fitness BV

en zijn wederverkopers zijn niet aansprakelijk voor defecten tengevolge van factoren waarop zij geen invloed kunnen uitoefenen. De garantie betreft alleen de eerste eigenaar van het toestel en is alleen geldig in landen waar een geautoriseerde importeur van Tunturi New Fitness BV is gevestigd. De garantie betreft geen trainingstoestellen of onderdelen die zijn gewijzigd zonder toestemming van Tunturi New Fitness BV. De garantie dekt geen defecten tengevolge van normale slijtage, onjuist gebruik, gebruik in omstandigheden waarvoor het toestel niet is bedoeld, corrosie of schade ontstaan tijdens laden of transport.

De garantie geldt niet voor geluiden die ontstaan door het gebruik, als ze het gebruik van het apparaat niet wezenlijk belemmeren en niet veroorzaakt zijn door een defect aan het apparaat.

De garantie omvat ook geen onderhoudsmaatregelen, zoals reiniging, smering of normale inspectie van onderdelen, noch dergelijke montagewerkzaamheden die de klant zelf kan uitvoeren en die geen speciale demontage en montage van het toestel vereisen. Dit soort maatregelen zijn bijv. vervanging van monitoren, pedalen of andere vergelijkbare eenvoudige onderdelen. Garantieherstel dat is uitgevoerd door een ander dan de geautoriseerde Tunturi-vertegenwoordiger wordt niet vergoed. De garantie geldt alleen voor normaal, voorgeschreven gebruik van het product zoals beschreven in de handleiding.

Aanvullende informatie

Afvoeren van verpakkingsmateriaal

Overheids-richtlijnen geven aan dat we de hoeveelheid afvalmateriaal afgevoerd naar stortplaatsen moeten verminderen. Daarom vragen we u al het afvalmateriaal op verantwoorde wijze af te voeren naar openbare recycling-centra.

Verwijdering aan het eind van de levensduur.

We hopen dat u jarenlang plezier hebt van uw fitnessapparaat. Er komt echter een moment waarop het fitnessapparaat het eind van de bruikbare levensduur heeft bereikt. Onder de Europese AEEA-wetgeving bent u verantwoordelijk voor het op de juiste wijze afvoeren van uw fitnessapparaat naar een erkend openbaar inzamelpunt.

Verklaring van de fabrikant

Tunturi New Fitness BV verklaart dat het product voldoet aan de volgende normen en richtlijnen: EN 957 (HA), 89/336/EEG. Het product is derhalve voorzien van het CE-label.

01-2017

Tunturi New Fitness BV
Purmerweg 1
1311 XE Almere
The Netherlands

Disclaimer

© 2017 Tunturi New Fitness BV
Alle rechten voorbehouden.

Het product en de handleiding zijn aan veranderingen onderhevig. Specificaties kunnen zonder verdere kennisgeving worden veranderd.

Italiano

Questo manuale in lingua italiana è una traduzione dalla versione originale del manuale in lingua inglese.

Non si possono trarre diritti di traduzione dalla presente traduzione.

Benvenuti

Benvenuti nel mondo di Tunturi Fitness! Grazie per aver acquistato questo apparecchio Tunturi. Tunturi offre un'ampia gamma di apparecchi per fitness professionale, fra cui crosstrainer, tapis roulant, cyclette, e vogatori e. Questo apparecchio Tunturi è adatto per tutta la famiglia, a prescindere dal livello di forma fisica. Per ulteriori informazioni, visitare il sito Web www.tunturi.com

Precauzioni di sicurezza



ATTENZIONE

- Leggere le precauzioni di sicurezza e le istruzioni. La mancata osservanza delle precauzioni di sicurezza e delle istruzioni può causare lesioni personali o danni all'apparecchio. Conservare gli avvisi di sicurezza e le istruzioni per future consultazioni.
- L'apparecchio è adatto esclusivamente per un uso domestico, non professionale. L'apparecchio non è idoneo per scopi commerciali.
- Massimo utilizzo è limitato a 3 ore al giorno
- L'uso di questo apparecchio da parte di bambini o persone con handicap fisici, sensoriali, mentali o motori o privi di esperienza e di competenze può causare pericoli. Le persone responsabili per la loro sicurezza devono fornire esplicite istruzioni o supervisionare l'uso dell'apparecchio.
- Prima di iniziare l'allenamento, consultare un medico per verificare il proprio stato di salute.
- Se si avvertono nausea, vertigini o altri sintomi anomali, interrompere immediatamente l'allenamento e consultare un medico.
- Per evitare dolori muscolari e sforzi, iniziare ogni allenamento con una fase di riscaldamento e terminare ogni allenamento con una fase di defaticamento. Ricordarsi di eseguire lo stretching al termine dell'allenamento.
- L'apparecchio è adatto esclusivamente per un uso in interni. L'apparecchio non è idoneo per un uso all'aperto.
- Utilizzare l'apparecchio in un ambiente con ventilazione adeguata. Non utilizzare in ambienti esposti alle correnti d'aria per non prendere un raffreddore.
- Utilizzare l'apparecchio esclusivamente in ambienti con temperature comprese fra +15°C~+35°C / 59°F~95°F. Conservare l'apparecchio esclusivamente in ambienti con temperature comprese fra +5°C~+45°C / 41°F~113°F.
- Non utilizzare o riporre l'apparecchio in ambienti umidi. L'umidità dell'aria non deve mai superare l'80%.
- Utilizzare l'apparecchio solo per lo scopo previsto. Non utilizzare l'apparecchio per scopi diversi da quelli descritti nel manuale.
- Non usare l'apparecchio se presenta parti danneggiate o difettose. In caso di parti danneggiate o difettose contattare il rivenditore.
- Mantenere mani, piedi e le altre parti del corpo lontani dalle parti in movimento.
- Tenere i capelli lontani dalle parti in movimento.
- Indossare indumenti e scarpe adatti.
- Mantenere abiti, gioielli e altri oggetti lontani

- dalle parti in movimento.
- Controllare che l'apparecchio venga utilizzato da una sola persona alla volta. L'apparecchio non deve essere utilizzato da persone di peso superiore a 100 kg (220 lbs).
- Non smontare l'apparecchio senza aver consultato il rivenditore.

Descrizione (fig. A)

La cyclette verticale è un apparecchio fisso per il fitness utilizzato per simulare la pedalata senza causare eccessiva pressione sulle giunture.

Contenuto dell'imballaggio (fig. B & C)

- L'imballaggio contiene i componenti illustrati nella fig. B.
- L'imballaggio contiene gli elementi di fissaggio illustrati nella fig. C. Consultare la sezione "Descrizione".



NOTA

- Se una parte manca, contattare il rivenditore.

Assemblaggio (fig. D)



ATTENZIONE

- Assemblare l'apparecchio nell'ordine indicato.
- Per trasportare e spostare l'apparecchio sono necessarie almeno due persone.



AVVISO

- Collocare l'apparecchio su una superficie stabile e in piano.
- Collocare l'apparecchio su una base

protettiva per evitare danni alla superficie del pavimento.

- Mantenere uno spazio libero di almeno 1 m intorno all'apparecchio.
- Consultare le illustrazioni per il corretto assemblaggio dell'apparecchio.

Allenamenti

L'allenamento deve essere adeguatamente leggero ma di lunga durata. L'esercizio aerobico si basa sul miglioramento del consumo massimo di ossigeno del corpo che a sua volta migliora resistenza e forma fisica. Durante l'allenamento è necessario sudare ma non arrivare all'affanno. Per raggiungere e mantenere una forma fisica di base, allenarsi almeno tre volte alla settimana, per 30 minuti alla volta. Aumentare il numero di sessioni di esercizio per migliorare il livello di forma fisica. È importante combinare l'esercizio regolare con una dieta salutare. Una persona impegnata a seguire una dieta dovrà allenarsi quotidianamente, iniziando con 30 minuti o meno e aumentando gradualmente l'allenamento giornaliero fino ad un'ora. Iniziare l'allenamento a bassa velocità e con scarsa resistenza per evitare di sottoporre a uno stress eccessivo il sistema cardiovascolare. Man mano che il livello di forma fisica aumenta, è possibile aumentare gradualmente anche velocità e resistenza. L'efficienza dell'allenamento può essere misurata monitorando la frequenza cardiaca e le pulsazioni.

Istruzioni per l'esercizio

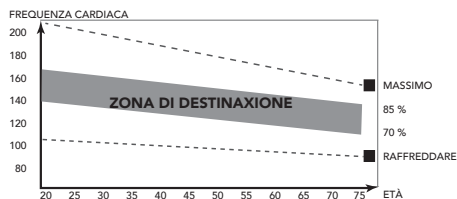
L'utilizzo del vostro fitness trainer vi darà diversi benefici, migliorerà la vostra forma fisica, tono muscolare e, insieme a una dieta con le calorie sotto controllo, vi aiuterà a perdere peso.

La fase di riscaldamento

Questa fase aiuta a far scorrere il sangue nel corpo e a far funzionare correttamente i muscoli. Ridurrà anche il rischio di crampi e di lesioni muscolari. Si consiglia di fare qualche esercizio di stretching come mostrato qui di seguito. Ogni esercizio di stretching andrebbe mantenuto per circa 30 secondi, non forzare o strappare i muscoli durante l'esercizio, se si sente un dolore FERMARSI SUBITO

La fase dell'esercizio

Questa è la fase dove fate il vostro sforzo. Dopo un uso regolare, i muscoli delle vostre gambe diventeranno più flessibili. Lavorare nell'ottica del vostro obiettivo è molto importante per mantenere un ritmo costante durante l'esercizio. La velocità del vostro lavoro dovrebbe essere sufficiente per aumentare il vostro battito cardiaco nella zona target mostrata sul grafico qui sotto.



Questa fase dovrebbe durare almeno 12 minuti anche se la maggior parte delle persone inizia a circa 15-20 minuti

La fase di defaticamento

Questa fase consente al vostro sistema cardiovascolare e ai vostri muscoli di rilassarsi. Questa è una ripetizione dell'esercizio di riscaldamento, cioè riduce il vostro ritmo, e continua per circa 5 minuti. Gli esercizi di stretching adesso andrebbero ripetuti, ricordandosi sempre di non forzare o strappare i vostri muscoli nello stretching. A mano a mano che sarete più in forma,

potreste aver bisogno di allenarvi di più e più a lungo. Si consiglia di allenarsi almeno tre volte alla settimana, e se possibile, spalmare gli esercizi in

Tono muscolare

Per tonificare i muscoli mentre siete sul vostro fitness trainer dovrete impostare la resistenza abbastanza alta. Questo sforzerà di più i muscoli delle vostre gambe e potrebbe voler dire che non potrete allenarvi per il tempo che avreste desiderato. Se anche voi state cercando di migliorare la vostra forma dovrete modificare il vostro programma di allenamento. Dovreste allenarvi normalmente durante le fasi di riscaldamento e di defaticamento, ma verso la fine della fase dell'esercizio dovrete aumentare la resistenza, per fare lavorare di più le vostre gambe. Dovrete ridurre la vostra velocità per mantenere la vostra frequenza cardiaca nella zona target.

Perdere peso

Qui il fattore importante è la quantità di sforzo che mettete. Più forte e a lungo lavorate e più calorie brucerete. In effetti è uguale a come se stesse allenandovi per migliorare la vostra forma, la differenza è l'obiettivo.

Utilizzo

Regolazione della resistenza

Per aumentare o diminuire la resistenza, ruotare la manopola di regolazione nella parte superiore del tubo di supporto del manubrio Senso orario (direzione +) per aumentare la resistenza. Senso antiorario (direzione -) per diminuire la resistenza.

La scala sopra la manopola (1-8) vi aiuta a trovare e azzerare una resistenza adatta.

Sostituzione delle batterie (Fig E)

La console è dotata di 1 batterie stilo AAA sul retro della console.

- Rimuovere il coperchio.
- Rimuovere le vecchie batterie.
- Inserire le nuove batterie. Verificare che le batterie rispettino i simboli della polarità (+) e (-).
- Montare il coperchio.

Console



AVVISO

- Non esporre la console alla luce solare diretta.
- Asciugare la superficie della console se è coperta da gocce di sudore.
- Non appoggiarsi sulla console.
- Toccare il display solo con la punta delle dita. Non toccare il display con le unghie o con oggetti appuntiti.



NOTA

- La console passa in modalità standby quando l'apparecchio non viene utilizzato per 4 minuti.

Spiegazione delle funzioni di visualizzazione

Scan

- Effettua la scansione automatica per ogni modalità in sequenza ogni 4 secondi: Time, Speed, Odo, Rpm, Dist, Cal.

Time

- Accumula automaticamente la durata dell'esercizio quando si lavora.
- Range: 00:00 ~ 59:59.

Speed (Velocità)

- Visualizza la velocità di allenamento corrente.
- Range: 0 ~ 999.9 km/h.
- Senza nessun segnale trasmesso nel monitor per 4 secondi durante l'esercizio, VELOCITA' visualizzerà "0.0"

Odo

- Accumula in automatico la distanza totale per tutte le sedute di esercizi.
- Range: 0 ~ 9999 Km.

Rpm

- Visualizza i giri al minuto
- Range: 0 ~ 9999.
- Senza nessun segnale trasmesso nel monitor per 4 secondi durante l'esercizio, RPM visualizzerà "0"

Dist

- Accumula in automatica la distanza dall'esercizio durante il lavoro.
- Range: 0.00 ~ 9999 Km.

Cal

- Accumula automaticamente le calorie bruciate quando si fanno gli esercizi.
- Range: 0 ~ 9999.



NOTA

- Questo dato è una guida approssimativa per confrontare le differenti sedute di esercizi che non può essere usato in un trattamento medico

Spiegazione dei pulsanti

Mode/ Reset

- Scegliere ogni funzione premendo il tasto
- Tenere premuto il tasto Mode/ Reset per 2 secondi per azzerare tutte le funzioni Time, Count, Calories.

Utilizzo

Accensione

- Premere qualsiasi tasto per accendere la console mentre si trova in modalità sleep.
- Iniziare a pedalare per accendere la console quando si trova in modalità sleep.

Spegnimento

In assenza di segnale trasmesso nel monitor per 4 minuti, il monitor entrerà automaticamente in modalità SLEEP.

Pulizia e manutenzione

L'apparecchio non richiede manutenzione speciale. L'apparecchio non richiede ricalibrazione quando viene assemblato, utilizzato e sottoposto a assistenza in conformità con le istruzioni.



ATTENZIONE

- Prima di qualsiasi intervento di pulizia e manutenzione, rimuovere l'adattatore.
 - Non utilizzare solventi per pulire l'apparecchio.
- Pulire l'apparecchio con un panno morbido e assorbente dopo ogni uso.
 - Verificare regolarmente che tutte le viti e i dadi siano serrati.
 - Se necessario, lubrificare i raccordi.

Difetti e malfunzionamenti

Nonostante il costante controllo di qualità, i singoli componenti possono causare difetti e malfunzionamenti all'apparecchio. Nella maggior parte dei casi, è sufficiente sostituire i componenti difettosi.

- Se l'apparecchio non funziona correttamente, contattare immediatamente il rivenditore.
- Fornire il numero di modello e il numero di serie dell'apparecchio al rivenditore. Comunicare la natura del problema, le condizioni d'uso e la data d'acquisto.

Garanzia

Garanzia dell'attrezzo sportivo Tunturi

Condizioni di garanzia

Il consumatore è tutelato da tutti i diritti previsti dalla legislazione nazionale e riguardanti l'acquisto di beni di consumo. Questi diritti fondamentali non sono limitati dalle condizioni di garanzia. La garanzia entra in vigore solo se l'attrezzo in questione prodotto dall'azienda Tunturi Ltd. viene utilizzato in linea con le condizioni ambientali d'uso specificate dal fabbricante. Le condizioni ambientali d'uso degli attrezzi son

Condizioni per la garanzia

La garanzia entra in vigore dalla data dell'acquisto dell'attrezzo. Le condizioni per la garanzia possono variare in funzione del paese. Rivolgersi al rivenditore di zona per maggiori informazioni sulle condizioni per la garanzia.

Copertura della garanzia

L'azienda Tunturi Ltd ed i suoi rappresentanti non rispondono per nessun motivo dei danni indiretti causati all'acquirente dall'attrezzo. Per danni indiretti s'intendono quelli relativi al mandato sfruttamento dell'attrezzo, mancato guadagno o altri danni di natura economica.

Limiti di garanzia

La garanzia copre i difetti di materiale e fabbrica dell'attrezzo che si manifestano

subito dopo l'acquisto. La garanzia copre solo i difetti che si manifestano durante l'uso normale e conforme alle istruzioni del manuale di installazione, manutenzione ed uso fornito da Tunturi. L'azienda Tunturi Ltd ed i suoi rivenditori non rispondono dei danni causati da eventi al di fuori del loro controllo. La garanzia riguarda solo il proprietario originario dell'attrezzo ed è in vigore solo in quei paesi in cui Tunturi Ltd dispone di un proprio rappresentante autorizzato.

La garanzia non copre i difetti di quegli attrezzi o componenti che sono stati modificati senza l'espressa autorizzazione del fabbricante Tunturi Ltd. La garanzia non copre i difetti causati dalla normale usura, da un uso in condizioni non previste, dalla corrosione, dalla movimentazione e dal trasporto.

La garanzia non copre rumori o suoni emessi durante l'uso a meno che non impediscano l'uso dell'attrezzo e che non siano causati da un guasto all'attrezzo stesso.

La garanzia non comprende nemmeno i normali interventi di servizio dell'attrezzo, come per esempio la pulizia, lubrificazione, controllo periodico dei componenti né le piccole installazioni che può effettuare il cliente stesso e che non richiedono lo smontaggio/montaggio dell'attrezzo. Questi interventi sono, per esempio, la sostituzione del pannello, dei pedali o di altri componenti analoghi. La garanzia non copre gli interventi di riparazione previsti, se non vengono eseguiti da un rappresentante autorizzato Tunturi. Se sbagliate a seguire le istruzioni del manuale d'uso, decade subito la garanzia sul prodotto.

Informazioni aggiuntive

Smaltimento dell'imballo

Le linee guide governative chiedono di ridurre

la quantità di rifiuti smaltiti nelle discariche. Per questo vi chiediamo di smaltire in modo responsabile tutti i rifiuti d'imballo presso dei centri di riciclaggio pubblici.

Smaltimento a fine vita

Noi di Tunturi speriamo che possiate godervi molti anni di piacevole uso dal nostro fitness trainer. Tuttavia, arriverà il momento quando il vostro fitness trainer arriverà alla fine della sua vita utile. Secondo la Legislazione Europea WEEE voi siete responsabili per uno smaltimento appropriato del vostro fitness trainer presso una struttura di raccolta pubblica autorizzata.

Dichiarazione del fabbricante

Tunturi New Fitness BV dichiara che questo prodotto è conforme ai seguenti standard e direttive: EN 957 (HC), 89/336/CEE. Pertanto sul prodotto è apposto il marchio CE.

01-2017

Tunturi New Fitness BV
Purmerweg 1
1311 XE Almere
Paesi Bassi

Clausola di esonero della responsabilità

© 2017 Tunturi New Fitness BV
Tutti i diritti riservati.

Il prodotto e il manuale sono soggetti a modifiche. Le specifiche tecniche possono essere modificate senza preavviso.

Español

Este manual español es una traducción del texto inglés. No se pueden derivar derechos de esta traducción. El texto original en inglés prevalecerá.

¡Bienvenido

¡Bienvenido al mundo de Tunturi Fitness! Le agradecemos la compra de esta máquina Tunturi. Tunturi ofrece una amplia gama de máquinas de fitness profesionales como bicicletas elípticas, cintas de correr y bicicletas de ejercicio. La máquina Tunturi es adecuada para toda la familia, independientemente del nivel de forma física. Si desea información adicional, visite nuestro sitio web www.tunturi.com

Advertencias de seguridad



ADVERTENCIA

- Lea las advertencias de seguridad y las instrucciones. De no seguirse las advertencias de seguridad y las instrucciones pueden producirse lesiones personales o daños en la máquina. Conserve las advertencias de seguridad y las instrucciones para su consulta posterior.
- La máquina es adecuada únicamente para uso doméstico. La máquina no es adecuada para un uso comercial.
- El uso máx. Está limitado a 3 horas al día.
- El uso de esta máquina por niños o por personas con una discapacidad física, sensorial o motora, o falta de experiencia y conocimientos, puede dar lugar a situaciones de riesgo. Las personas responsables de su seguridad deben dar instrucciones explícitas o supervisar el uso de la máquina.
- Antes de empezar a hacer ejercicio, consulte con un médico para comprobar su estado de salud.
- Si experimenta náuseas, mareos u otros síntomas anormales, deje de hacer ejercicio inmediatamente y consulte con un médico.
- Para evitar dolor y tensión muscular, realice un calentamiento antes de empezar a hacer ejercicio y termine haciendo relajación. Recuerde hacer estiramientos al final de la sesión de ejercicio.
- La máquina es adecuada únicamente para uso en interior. La máquina no es adecuada para un uso en exterior.
- Utilice la máquina únicamente en lugares con una ventilación adecuada. No utilice la máquina en lugares donde haya corriente para no resfriarse.
- Utilice la máquina únicamente en lugares con una temperatura ambiente entre +15°C~+35°C / 59°F~95°F. Almacene la máquina únicamente en lugares con una temperatura ambiente entre +5°C~+45°C / 41°F~113°F.
- No utilice ni almacene la máquina en espacios húmedos. La humedad del aire no debe ser superior al 80%.
- Utilice la máquina sólo para su uso previsto. No la utilice para otros fines que no sean los descritos en el manual.
- La máquina no debe utilizarse si alguna de las piezas ha sufrido daños o tiene algún defecto. Contacte con su proveedor si alguna de las piezas ha sufrido daños o tiene algún defecto.
- Mantenga las manos, los pies y demás partes del cuerpo alejadas de las piezas móviles.
- Mantenga el pelo alejado de las piezas móviles.
- Lleve ropa y calzado adecuado.
- Mantenga la ropa, las joyas y otros objetos

- alejados de las piezas móviles.
- Asegúrese de que sólo una persona utilice la máquina cada vez. La máquina no debe ser utilizada por personas cuyo peso supere los 100 kg (220 lbs).
- No abra la máquina sin consultar con su proveedor.

Descripción (fig. A)

La bicicleta estática es una máquina estacionaria de fitness que se utiliza para simular la acción de montar en bicicleta sin generar una presión excesiva en las articulaciones.

Package contents (fig. B & C)

- El paquete contiene los elementos que se muestran en la fig. B.
- El paquete contiene los elementos de fijación que se muestran en la fig. C. consulte la sección "Descripción".



NOTA

- Si falta una pieza, contacte con su proveedor.

Montaje (fig. D)



ADVERTENCIA

- Monte la máquina en el orden indicado.
- Al menos dos personas deben transportar y mover la máquina.



PRECAUCIÓN

- Coloque la máquina sobre una superficie firme y nivelada.
- Coloque la máquina sobre una base

protectora para evitar daños en la superficie del suelo.

- Deje unos 100 cm/ 40 inch de espacio alrededor de la máquina.
- Consulte las ilustraciones para el correcto montaje de la máquina.

Sesiones de ejercicio

La sesión de ejercicio debe ser ligera, pero de larga duración. El ejercicio aeróbico se basa en mejorar el consumo de oxígeno máximo del cuerpo, lo que a su vez mejora la resistencia y la forma física. Debe transpirar, pero no debe quedarse sin aliento durante la sesión de ejercicio. Para lograr y mantener un nivel de forma física básico, debe realizar ejercicio al menos tres veces a la semana, 30 minutos cada vez. Aumente el número de sesiones de ejercicio para mejorar su nivel de forma física. Vale la pena combinar el ejercicio regular con una dieta sana. Una persona que se encuentre a dieta debe realizar ejercicio a diario, al principio 30 minutos o menos cada vez, aumentando gradualmente el tiempo de ejercicio diario hasta una hora. Empiece la sesión de ejercicio a velocidad baja y resistencia baja para evitar que el sistema cardiovascular se vea sometido a una tensión excesiva. A medida que mejore el nivel de forma física, pueden aumentarse gradualmente la velocidad y la resistencia. La eficiencia de su ejercicio puede medirse supervisando su frecuencia cardíaca y sus pulsaciones.

Ejercicio Instrucciones

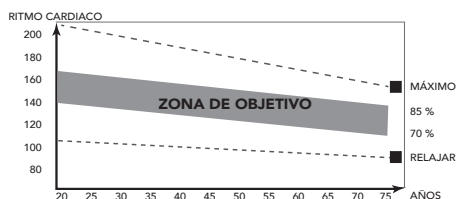
El uso de su entrenador le aportará muchas ventajas, mejorará su tono físico, tonificará los músculos y, combinado con una dieta con un consumo controlado de calorías, le ayudará a perder peso.

Fase de calentamiento

Esta fase mejora la circulación y favorece el buen funcionamiento de los músculos. Asimismo, reduce el riesgo de calambres y de lesiones musculares. Es conveniente realizar una serie de ejercicios de estiramiento, como se muestra más abajo. Al estirar se debe mantener la posición durante unos 30 segundos; no fuerce los músculos ni realice movimientos bruscos para estirarlos, si duele, PARE inmediatamente.

Fase de ejercicio

Esta es la fase de esfuerzo. Tras un uso regular, los músculos de las piernas irán ganando flexibilidad. Es importante mantener un ritmo estable durante toda esta fase. El ejercicio debe ser lo suficientemente fuerte como para incrementar el ritmo cardíaco hasta el objetivo que se muestra en el siguiente cuadro.



Esta fase debe tener una duración mínima de 12 minutos, aunque la mayoría de las personas empiezan a los 15-20 minutos.

Fase de enfriamiento

La finalidad de esta fase es permitir que se relaje el sistema cardiovascular y los músculos. Es una repetición del ejercicio de calentamiento, por lo que debe ir reduciendo el ritmo de manera constante durante unos 5 minutos. En este momento debe repetir también los ejercicios de estiramiento, evitando de nuevo forzar los músculos o hacer movimientos bruscos.

A medida que vaya mejorando su forma física, es posible que el entrenamiento tenga que ser

más largo e intenso. Es aconsejable entrenarse al menos tres veces a la semana, espaciando de manera uniforme, en la medida de lo posible, los entrenamientos durante la semana.

Tonificación muscular

Si quiere tonificar los músculos mientras trabaja con el aparato, deberá ajustar la resistencia en un nivel bastante alto. Así aumentará la tensión sobre los músculos de las piernas, con lo que es posible que no pueda entrenarse durante todo el tiempo que le gustaría. Si quiere mejorar su condición física, tendrá que modificar también el programa de entrenamiento. El entrenamiento durante las fases de calentamiento y enfriamiento será igual, pero debe aumentar la resistencia hacia el final de la fase de ejercicio para incrementar el esfuerzo del tren inferior. Tendrá que reducir la velocidad para mantener el ritmo cardíaco en la zona objetivo.

Pérdida de peso

El factor determinante en este sentido es el esfuerzo realizado. Cuanto más intenso y prolongado sea el ejercicio físico, más calorías quemará. En realidad, es lo mismo que si se entrenara para mejorar la condición física, lo que cambia es el objetivo.

Uso

Ajuste de la resistencia

Para aumentar o disminuir la resistencia, gire la perilla de ajuste situada en la parte superior del tubo de soporte del manillar en el sentido de las agujas del reloj (dirección +) para aumentarla y en el sentido contrario (dirección -) para disminuirla.

La escala que aparece encima de la perilla (1-8) le permite buscar y reajustar un grado adecuado de resistencia.

Sustitución de las pilas (Fig E)

La consola está equipada con 1 pilas AAA en la parte posterior de la misma.

- Retire la cubierta.
- Retire las pilas usadas.
- Inserte pilas nuevas. Asegúrese de que coincidan las marcas de polaridad (+) y (-).
- Monte la cubierta.

Consola



PRECAUCIÓN

- Mantenga la consola alejada de la luz solar directa.
- Seque la superficie de la consola cuando esté cubierta de gotas de sudor.
- No se apoye en la consola.
- Toque la pantalla únicamente con la punta del dedo. Asegúrese de no tocar la pantalla con las uñas ni objetos afilados.



NOTA

- La consola pasa al modo de espera activa cuando la máquina no se usa durante 4 minutos.

Explicación de las funciones de pantalla

Scan

- Se explora automáticamente en cada uno de los modos en secuencia cada 4 segundos: Time, Speed, Odo, Rpm, Dist, Cal.

Time

- Acumula automáticamente el tiempo de ejercicio.
- Rango: 00:00 ~ 59:59.

Speed (Velocidad)

- Muestra la velocidad actual del entrenamiento.
- Rango: 0 ~ 999.9 Km/h.
- Si no se transmite ninguna señal al monitor durante 4 segundos de duración de un ejercicio, VELOCIDAD mostrará "0.0"

Odo

- Acumula automáticamente las rotaciones total de todas las sesiones de entrenamiento.
- Rango: 0 ~ 9999 Km.

Rpm

- Muestra las rotaciones por minuto
- Rango: 0 ~ 9999.
- Si no se transmite ninguna señal al monitor durante 4 segundos de duración de un ejercicio, RPM mostrará "0"

Dist

- Acumula automáticamente la distancia recorrida durante el ejercicio.
- Rango 0.00 ~ 9999 Km.

Cal

- Acumula automáticamente las calorías quemadas al hacer ejercicio.
- Rango: 0 ~ 9999.



NOTA

- Estos datos son una guía aproximada para la comparación de distintas sesiones de ejercicios que no pueden utilizarse en tratamientos médicos

Explicación de los botones

Mode/ Reset

- Elija cada función pulsando la tecla Mode/ Reset.

- Pulse y mantenga pulsada la tecla Mode/Reset durante 5 segundos para reiniciar todas las funciones: Time, Count, Calories.

Funcionamiento

Encendido

- Pulse cualquier tecla para encender la consola cuando se está en el modo dormir
- Empiece a pedalear para encender la consola cuando se está en el modo dormir.

Apagado

Si no se transmite ninguna señal al monitor durante 4 minutos, el monitor entrará en el modo DORMIR automáticamente.

Limpieza y mantenimiento

La máquina no requiere un mantenimiento especial. No es necesario recalibrar la máquina cuando ésta se ha montado, utilizado y mantenido según las instrucciones.



ADVERTENCIA

- Antes de la limpieza y el mantenimiento, retire el adaptador.
 - No utilice disolventes para limpiar la máquina.
-
- Limpie la máquina con un paño suave y absorbente tras cada uso.
 - Compruebe periódicamente que todos los tornillos y las tuercas estén apretados.
 - En caso necesario, lubrique las juntas.

Defectos y fallos

A pesar del control de calidad continuo, la máquina puede presentar defectos y fallos ebidos a piezas individuales. En la mayoría de los casos, será suficiente sustituir la pieza defectuosa.

- Si la máquina no funciona correctamente, contacte inmediatamente con su proveedor.
- Facilite al proveedor el número de modelo y el número de serie de la máquina. Indique la naturaleza del problema, las condiciones de uso y la fecha de compra.

Garantía

Garantía del propietario del equipo Tunturi

Condiciones de la garantía

El consumidor tiene derecho a la aplicación de los derechos legales específicos de la legislación nacional concernientes al comercio de bienes de consumo y esta garantía no limita dichos derechos. La Garantía del Propietario sólo estará en vigor cuando el equipo se utilice en el entorno de uso permitido por Tunturi New Fitness BV para dicho equipo de ejercicio. En las instrucciones de uso de cada aparato se especifica el entorno de uso permitido para el mismo.

Términos de la garantía

Los términos de la garantía comenzarán el día de la compra. Los términos de garantía pueden variar por país, así que consulte con su distribuidor local para ver cuáles son los términos de la garantía.

Cobertura de la garantía

Tunturi New Fitness BV o los distribuidores Tunturi no responderán en ninguna circunstancia a causa de esta garantía por los eventuales daños indirectos, secundarios, resultantes o especiales de ningún tipo derivados del uso o la imposibilidad de uso de este equipo.

Restricciones a la garantía

La garantía cubre los fallos debidos a la fabricación y los materiales en un equipo de ejercicio que esté en su ensambladura original. La garantía cubre solamente defectos que se manifiesten durante un uso normal, conforme a las instrucciones dadas en la guía suministrada con el equipo, a condición de que se hayan observado las instrucciones de montaje, mantenimiento y utilización proporcionadas por Tunturi. Tunturi New Fitness BV y los distribuidores Tunturi no pueden responder de fallos ocasionados por circunstancias ajenas a su control. La presente garantía sólo es válida para el comprador original del equipo de ejercicio y tiene vigencia solamente en los países en los que Tunturi New Fitness BV cuenta con un importador autorizado. La garantía no cubre los equipos de ejercicio o sus partes que hayan sido modificados sin el consentimiento previo de Tunturi New Fitness BV. La garantía no cubre fallos derivados del desgaste normal, de un uso indebido, de su uso en condiciones para las que el equipo no ha sido concebido, corrosión o daños sufridos durante la carga o el transporte.

La garantía no cubre los sonidos o ruidos emitidos durante el uso que no impidan de forma sustancial la utilización del equipo y que no estén provocados por un fallo del mismo. La garantía no cubre las actividades de mantenimiento tales como limpieza, lubricación o el ajuste normal de las piezas,

ni los procedimientos de instalación que el cliente pueda realizar por sí mismo y que no requieran un desmontaje / montaje especial del equipo de ejercicio. Estos procedimientos son, por ejemplo, el cambio de contadores, pedales o de otras piezas simples similares. No se reembolsarán las reparaciones realizadas durante el período de garantía por agentes no autorizados por Tunturi. Si no se siguen adecuadamente las instrucciones dadas en el Manual del Propietario se invalidará la garantía del producto.

Información adicional

Eliminación de embalajes

Las pautas gubernamentales exigen reducir la cantidad de residuos que se depositan en los basureros. Por este motivo, le rogamos que deseche los embalajes de manera responsable en centros públicos de reciclaje.

Eliminación al final de la vida útil

Desde Tunturi esperamos que disfrute de su equipo de entrenamiento durante muchos años. No obstante, llegará un momento en que éste llegue al final de su vida útil. Conforme a la Directiva WEEE (relativa a la gestión de residuos procedentes de equipos eléctricos y electrónicos) le corresponde a usted la responsabilidad de desechar adecuadamente su equipo de entrenamiento en un centro público autorizado de recogida.

Declaración del fabricante

Tunturi New Fitness BV declara que el producto es conforme con las siguientes normas y directivas: EN 957 (HC), 89/336/CEE. Por tanto, el producto dispone de marcado CE.

01-2017

Tunturi New Fitness BV
Purmerweg 1
1311 XE Almere
The Netherlands

Descargo de responsabilidad

© 2017 Tunturi New Fitness BV
Reservados todos los derechos.

El producto y el manual están sujetos a cambios. Las especificaciones pueden cambiarse sin previo aviso.

På svenska

Denna handbok är en översättning av den engelska texten. Vi förbehåller oss rätten till eventuella översättningsfel. Den engelska originaltexten råder.

Välkommen

Välkommen till Tunturi Fitness värld!

Tack för att du köpte denna utrustning från Tunturi. Tunturi erbjuder ett stort utbud av professionell träningsutrustning, exempelvis crosstrainers, löpband, träningscyklar och roddmaskiner. Utrustning från Tunturi passar hela familjen, oavsett träningsnivå. Mer information finns på vår webbplats, www.tunturi.com

Säkerhetsvarningar



VARNING

- Läs säkerhetsvarningarna och instruktionerna. Om inte säkerhetsvarningarna och instruktionerna följs kan det medföra skador på personer eller utrustningen. Behåll säkerhetsvarningarna och
 - Utrustningen är endast anpassad för hemmabruk. Utrustningen är inte anpassad
 - Maximal användning är begränsad till 3 timmar per dag.
 - Om utrustningen används av barn eller personer med fysiska, sensoriska, mentala eller motoriska handikapp, eller som saknar erfarenhet och kunskap, kan detta medföra risker. Personer som är ansvariga för deras säkerhet måste ge tydliga instruktioner, eller övervaka användningen av utrustningen.
 - Innan du påbörjar din träning, uppsök en läkare som kan kontrollera din hälsa.
- Om du upplever illamående, yrsel eller andra onormala symptom, avsluta genast din träning och kontakta en läkare.
- Börja varje träningspass med att värma upp och avsluta varje träningspass med nedvarning för att undvika muskelsmärter och sträckningar. Kom ihåg att stretcha i slutet av träningen.
- Utrustningen är endast anpassad för användning inomhus. Utrustningen är inte anpassad för användning utomhus.
- Använd endast utrustningen i miljöer med god ventilation. Använd inte utrustningen i dragiga miljöer för att undvika att bli förkyld.
- Använd endast utrustningen i miljöer med temperatur mellan +15°C~+35°C / 59°F~95°F. Förvara endast utrustningen i miljöer +5°C~+45°C / 41°F~113°F. ur mellan.
- Använd inte och förvara inte utrustningen i fuktig miljö. Luftfuktigheten får aldrig överstiga 80%.
- Använd endast utrustningen för dess avsedda ändamål. Använd inte utrustningen för andra ändamål än de som beskrivs i handboken.
- Använd inte den här utrustningen om någon del är trasig eller skadad. Om någon del är trasig eller skadad, kontakta din återförsäljare.
- Håll undan händer, fötter och andra kroppsdelar från de rörliga delarna.
- Håll undan håret från de rörliga delarna.
- Bär passande kläder och skor.
- Håll undan kläder, smycken och andra föremål från de rörliga delarna.
- Låt bara en person åt gången använda utrustningen. Utrustningen får inte användas av personer som väger mer än 100 kg (220 lbs).
- Öppna inte utrustningen utan att kontakta din återförsäljare.

Description (fig. A)

Din uppräta cykel är en stationär träningsmaskin som används för att simulera cykling utan att orsaka kraftigt tryck på lederna.

Förpackningens innehåll (fig. B & C)

- Förpackningen innehåller delarna som visas i fig. B.
- Förpackningen innehåller de fästdon som visas i fig. C. Se avsnittet "Beskrivning".



ANMÄRKNING

- Om någon del saknas, kontakta din återförsäljare.

Montering (fig. D)



VARNING

- Montera utrustningen i angiven ordning.
- Var två om att bära och förflytta utrustningen.



OBS

- Placera utrustningen på en stabil och jämn yta.
 - Placera utrustningen på en skyddande grund för att förhindra att golvet skadas.
 - Lämna åtminstone 100 cm fritt runt utrustningen.
- Illustrationerna visar det korrekta sättet att montera utrustningen.

Träning

Träningen måste vara lagom lätt, men hålla på länge. Aerobisk träning är till för att förbättra kroppens maximala syreupptag, vilket förbättrar uthålligheten och konditionen. Du ska svettas, men du ska inte bli andfådd under träningen. För att uppnå och behålla en grundkondition, träna åtminstone tre gånger i veckan, 30 minuter åt gången. Öka antalet träningspass för att förbättra din kondition. Det är bra att kombinera regelbunden träning med hälsosam kost. En person som har bestämt sig för att banta bör träna dagligen, 30 minuter eller mindre till en början och sedan öka den dagliga träningstiden till en timme. Börja din träning i låg hastighet och med lågt motstånd för att förhindra att hjärtkärlsystemet utsätts för kraftig belastning. När konditionen förbättras, kan hastigheten och motståndet ökas gradvis. Din tränings effektivitet kan mätas genom att kontrollera din hjärtfrekvens och din puls.

Övning Instruktioner

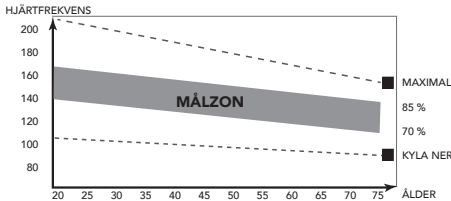
Användningen av ditt träningsredskap kommer att ge dig många fördelar; det kommer att förbättra din fysiska kondition, tona musklerna och tillsammans med en kalorikontrollerad diet hjälpa dig att gå ned i vikt.

Uppvärmningsfasen

Denna fas får blodet att börja pumpa runt i kroppen och förbereder musklerna på aktivitet. Den minskar även risken för kramp och muskelskada. Det är tillrådligt att göra några stretchövningar som visas nedan. Varje stretchövning ska hållas i ungefär 30 sekunder. Tvinga eller tryck inte in musklerna i en stretchövning. Om det gör ont, SLUTA

Träningsfasen

Detta är fasen där du jobbar. Efter regelbunden användning, kommer musklerna i dina ben att bli mer flexibla. I denna fas är det mycket viktigt att bibehålla ett jämnt tempo från början till slut. Ansträngningsnivån ska vara tillräcklig för att höja din puls till målzonen som visas i nedanstående figur



Denna fas bör pågå i minst 12 minuter, även om de flesta börjar med ungefär 15-20 minuter.

Nedvarningsfasen

Under denna fas får ditt kardiovaskulära system och dina muskler varva ned. Den är en upprepning av uppvärmningsövningen, t.ex. minska ditt tempo, fortsätt i ca 5 minuter. Stretchövningarna ska nu upprepas. Kom ihåg att inte tvinga eller trycka in musklerna i stretchövningen.

När du blir mer vältränad, kan du träna längre och hårdare. Vi rekommenderar att träna minst tre gånger i veckan, och, om möjligt, fördela dina träningsstillfällen jämnt under hela veckan.

Muskeltoning

För att tona musklerna när du använder träningsredskapet, måste du ställa in en ganska hög belastning. Detta belastar benmusklerna mer och kan innebära att du inte kan träna så länge som du vill. Om du även försöker förbättra din kondition, måste du ändra ditt träningsprogram. Du bör träna som vanligt under uppvärmnings- och nedvarningsfaserna, men mot slutet av träningsfasen kan du öka belastningen så att dina ben får jobba hårdare.

Du måste minska hastigheten för att hålla pulsen i målzonen.

Viktminskning

Den viktigaste faktorn här är hur mycket du anstränger dig. Ju hårdare och längre du tränar, desto fler kalorier bränner du. Detta är i princip detsamma som om du tränade för att förbättra din kondition, skillnaden är målet.

Användning

Justering af motståndet

Du kan öka eller minska motståndet med hjälp av reglaget upptill på handstödet. Om du vrider medsols (+) ökar motståndet och om du vrider motsols (-) minskar motståndet.

Med hjälp av skalan (1-8) är det lätt att ställa in önskat motstånd.

Byta ut batterier (Fig E)

Panelen är utrustad med 1 AAA-batterier på panelens baksida.

- Avlägsna luckan.
- Avlägsna de gamla batterierna.
- Sätt i de nya batterierna. Försäkra dig om att batterierna är rätt placerade mot (+) och (-) polerna.
- Montera luckan.

Panel



OBS

- Skydda panelen från direkt solljus.
- Torka av panelens yta när den är täckt av svett droppar.
- Luta dig inte mot panelen.

- Vidrör endast displayen med din fingertopp. Var noga med att inte dina naglar eller vassa föremål vidrör displayen.



ANMÄRKNING

- Panelen övergår till viloläge när utrustningen inte har använts på 4 minuter.

Förklaring av displayfunktioner

Scan

- Skanna automatiskt igenom varje läge i sekvens var 4:e sekund: Time, Speed, Odo, Rpm, Dist, Cal.

Time

- Sparar träningstid automatiskt när du tränar.
- Område: 00:00 ~ 59:59.

Speed

- Visar aktuell träningshastighet.
- Område: 0 ~ 999.9 km/h.
- Om ingen signal har överförts till monitorn inom 4 sekunder under träningen visar SPEED "0.0"

Odo

- Sparar den Totala varv automatiskt för alla träningspass.
- Område: 0 ~ 9999 Km.

Rpm

- Visar varv per minut
- Område: 0 ~ 9999.
- Om ingen signal har överförts till monitorn inom 4 sekunder under träningen visar COUNT "0"

Dist

- Sparar distansen automatiskt när du tränar.
- Område: 0.00 ~ 9999 Km.

Cal

- Sparar brända kalorier automatiskt när du tränar.
- Område: 0 ~ 9999.



OBS

- Dessa data är en ungefärligt värde för att kunna jämföra olika övningssessioner och kan inte användas inom medicinsk behandling

Förklaring av knappar

Mode/ Reset

- Välj funktion genom att trycka på knappen Mode/ Reset.
- Tryck och håll knappen Mode/ Reset nere i 5 sekunder för att återställa alla funktioner: Time, Count, Calories.

Manövrering

Ström på

- Tryck på valfri knapp för att sätta på strömmen om enheten befinner sig i läget SLEEP.
- Börja trampa för att sätta på panelen om den befinner sig i viloläget.

Ström av

Om ingen signal har överförts till monitorn inom 4 minuter kommer monitorn att gå till läget SLEEP automatiskt.

Garanti

Tunturis ågargarantitunt

Garantivillkor

Konsumenten har rätt att tillämpa de nationellt lagstadgade rättigheterna gällande konsumentvaror och denna garanti begränsar inte dessa rättigheter.

Ågargarantin är giltig endast om Tunturis träningsredskap används i de miljöer som tillåts enligt Tunturi. Vilka miljöer som är tillåtna står i träningsredskapets bruksanvisning.

Garantivillkor

Garantivillkoren börjar att gälla från inköpsdatumet. Garantivillkoren kan variera mellan olika länder. Kontakta en lokal återförsäljare om garantivillkoren.

Garantis omfattning

Oavsett omständigheter, ansvarar inte Tunturi New Fitness BV eller Tunturis återförsäljare för uppkomna personskador som påverkar köparen, och som innebär inkomstförlust eller andra ekonomiska följdverkningar.

Gegränsningar i garantin

Garantin gäller för arbets- och materialfel, förutsatt att redskapet är i originalmonterat skick. Garantin gäller endast fel som uppstår vid normalt bruk och då den använts enligt Tunturis instruktioner gällande montering, skötsel och användning. Tunturi New Fitness BV och Tunturis återförsäljare ansvarar ej för fel som uppkommer utanför deras kontroll.

Garantin gäller endast redskapets ursprungliga ägare och är gällande endast i de länder där det finns en godkänd Tunturi New Fitness BV återförsäljare.

Garantin gäller ej för redskap eller delar som har ändrats utan Tunturi New Fitness BV:s

godkännande. Garantin gäller ej för fel som beror på normalt slitage, felaktig användning, användning i förhållanden som inte är avsett för redskapet, korrosion eller lastnings- och transportskador.

Garantin täcker inte ljud som uppstår under användning såvida dessa inte väsentligt hindrar utrustningens användning eller har orsakats av ett fel i utrustningen.

Garantin gäller inte för underhållsarbete, som rengöring, smörjning eller normal kontroll av komponenterna och inte heller för monteringsarbete som kunden själv kan göra och som inte kräver att redskapet plockas isär/sätts ihop. Det gäller till exempel byte av mätare, trampor eller andra motsvarande enkla delar. Garantireparationer utförda av andra än en godkänd Tunturi-representant, ersätts inte. Ifall instruktionerna i manualen inte följs upphävs produktens garanti.

Ytterligare information

Bortskaffande av förpackning

Riktlinjer från myndigheter uppmanar att vi minskar mängden avfall som placeras i deponier. Vi ber dig därför att bortskaffa allt förpackningsavfall på ett ansvarsfullt sätt på allmänna återvinningscentraler.

Bortskaffande av uttjänt redskap

Vi på Tunturi hoppas att du får många års trevlig användning av ditt träningsredskap. Men det kommer en tid när ditt träningsredskap är uttjänt. Enligt den europeiska WEEE-lagstiftningen, ansvarar du för korrekt bortskaffande av ditt träningsredskap på en allmän återvinningsanläggning.

Försäkran från tillverkaren

Tunturi New Fitness BV försäkrar att produkten uppfyller följande standarder och direktiv: EN 957 (HC), 89/336/EEG. Produkten är därför CE-märkt.

01-2017

Tunturi New Fitness BV
Purmerweg 1
1311 XE Almere
Nederländerna

Friskrivning

© 2017 Tunturi New Fitness BV
Alla rättigheter förbehållna.

Produkten och handboken kan komma att ändras. Specifikationer kan ändras utan förvarning.

Suomeksi

Tämä suomennettu käyttöohje on käännetty Englannin kielestä. Pidätämme oikeudet mahdollisiin käännösvirheisiin. Käännös tehty virallisen, englanninkielisen version pohjalta.

Tervetuloa

Tervetuloa Tunturi Fitness -maailmaan!

Kiitämme sinua tämän Tunturi-laitteen ostosta. Tunturi tarjoaa laajan valikoiman ammattimaisia kuntoilulaitteita, mukaan lukien crosstrainerit, juoksumatot, kuntopyörät ja soutilaitteet. Tunturi-laite sopii koko perheelle kuntotasosta riippumatta. Katso lisätiedot verkkosivuiltamme www.tunturi.com

Turvallisuusvaroitukset



VAROITUS

- Lue turvallisuusvaroitukset ja -ohjeet. Turvallisuusvaroitusten ja -ohjeiden jättäminen noudattamatta voi aiheuttaa henkilön loukkaantumisen tai laitevaurion. Säilytä turvallisuusvaroitukset ja -ohjeet myöhempiä käyttöä varten.
- Laite on sopiva vain kotikäyttöön. Laite ei ole sopiva kaupalliseen käyttöön.
- Enimmäiskäyttö on rajoitettu 3 tuntiin päivässä
- Tämän laitteen käyttö lasten tai fyysisesti, aistillisesti, henkisesti, tai liikunnallisesti rajoittuneiden, tai kokemukseltaan ja tiedoiltaan puutteellisten henkilöiden toimesta voi aiheuttaa vaaratilanteita. Heidän turvallisuudestaan vastuussa olevien henkilöiden on annettava selkeät ja tarkat ohjeet laitteen käytöstä ja valvottava laitteen käyttöä.
- Ennen harjoituksen aloittamista ota yhteys

lääkäriin terveystarkastusta varten.

- Jos sinulla on pahoinvointia, huimausta, tai muita epätavallisia oireita, lopeta välittömästi harjoitus ja ota yhteys lääkäriin.
- Vältä lihaskipuja ja venähdyksiä aloittamalla jokainen harjoitus lämmittelyjaksolla ja päätä jokainen harjoitus jäähdyttelyjaksolla. Muista venyttellä harjoittelun lopuksi.
- Laite on sopiva vain sisäkäyttöön. Laite ei ole sopiva ulkokäyttöön.
- Käytä laitetta riittävällä tuetuksella varustetuissa tiloissa. Älä käytä laitetta vetoisissa tiloissa välttääksesi kylmetymisen.
- Käytä laitetta vain ympäristölämpötilassa +15°C~+35°C / 59°F~95°F. Säilytä laitetta vain ympäristölämpötilassa +5°C~+45°C / 41°F~113°F.
- Älä käytä tai säilytä laitetta kosteissa tiloissa. Ilmankosteus ei saa koskaan olla yli 80 %.
- Käytä laitetta vain sen aiottuun tarkoitukseen. Älä käytä laitetta muihin, kuin tässä käyttöoppaassa esitettyihin tarkoituksiin.
- Älä käytä laitetta, jos sen jokin osa on vaurioitunut tai viallinen. Jos osa on vaurioitunut tai viallinen, ota yhteys jälleenmyyjään.
- Pidä kätesi, jalkasi ja kehon muut osat pois liikkuvista osista.
- Pidä hiuksesi pois liikkuvista osista.
- Käytä asianmukaista vaatetusta ja kenkiä.
- Pidä vaatteet, korut ja muut esineet pois liikkuvista osista.
- Varmista, että vain yksi henkilö kerrallaan käyttää laitetta. Yli 100 kg (220 lbs). ainava henkilö ei saa käyttää laitetta.
- Älä avaa laitetta ilman yhteydenottoa jälleenmyyjäsi.

Description (kuva A)

Pystypyöräsi on paikallaan pysyvä kuntoilulaite, jota käytetään simuloimaan polkupyöräilyä

ilman liiallista rasitusta niveliin.

Pakkauksen sisältö (kuva. B & C)

- Pakkaus sisältää kuvassa B näytetyt osat.
- Pakkaus sisältää kuvassa C näytetyt kiinnittimet. Katso "Kuvaus"-osiota.



ILMOITUS

- Jos osa puuttuu, ota yhteys jälleenmyyjään.

Kokoonpano (kuva. D)



VAROITUS

- Kokoonpano laite esitetyssä järjestyksessä.
- Vähintään kahden henkilön on kannettava ja siirrettävä laitetta.



HUOMAUTUS

- Sijoita laite kovalle, tasaiselle alustalle.
 - Asettakaa laite suojalustalle lattiapinnan vaurioiden estämiseksi.
 - Varaa vähintään 100 cm tilaa laitteen ympärille.
- Katso piirroksesta laitteen oikea asennus.

Harjoitukset

Harjoituksen on oltava sopivan kevyt, mutta pitkäkestoinen. Aerobic-harjoitus perustuu kehon maksimi hapenottokyvyn parantamiseen, mikä puolestaan parantaa kestävyyttä ja kuntotasoa. Harjoituksen aikana sinun tulisi hikoilla, mutta sinun ei tulisi hengästyä. Harjoittele vähintään kolme kertaa viikossa 30 minuuttia peruskuntotason saavuttamiseksi ja ylläpitämiseksi. Paranna kuntotasoasi lisäämällä harjoituskertojen määrää. On

hyödyllistä yhdistää säännöllinen harjoitus terveelliseen dieettiin. Dieettiin sitoutuneen henkilön tulisi harjoitella päivittäin, ensi alkuun korkeintaan 30 minuuttia ja vähitellen lisäten päivittäinen harjoitus aika yhteen tuntiin. Aloita harjoituksesi hitaalla nopeudella ja pienellä vastuksella estääksesi liiallisen rasituksen sydän-verisuonijärjestelmään. Nopeutta ja vastusta voidaan vähitellen lisätä kuntotason parantuessa. Harjoituksesi tehokkuus voidaan mitata seuraamalla sydämesi lyöntinopeutta ja pulssisi nopeutta. Lisää nopeutta ja vastusta vähitellen oman kuntosi mukaan. Pidä pää pystyssä ja kaula suorana välttääksesi stressiä kaulassa, hartioissa ja selässä. Pidä selkäsi suorana. Varmista, että jalkasi ovat keskellä polkimia ja että lantio, polvet, nilkat ja varpaat ovat suoraan eteenpäin. Pidä painosi alaruumiin yläpuolella, huolimatta siitä, nojaatko eteenpäin vai seisotko suorana. Lopeta harjoitusjaksosi vähentämällä nopeutta ja vastusta vähitellen. Muista venyttellä harjoittelun lopuksi.

Ohjeita harjoittelua varten

Kuntolaitteen käyttö tarjoaa monia etuja: se parantaa fyysistä kuntoa, kiinteyttää lihaksia ja hallittuun ruokavalion yhdistettynä se auttaa myös pudottamaan painoa.

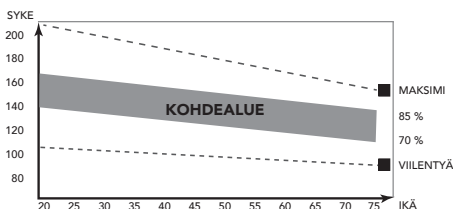
Lämmittelyvaihe

Tämän vaiheen tarkoituksena on saada veri virtaamaan nopeammin ympäri kehoa ja panna lihakset tekemään työtä. Lämmittely vähentää myös kramppein ja lihasvammojen riskiä. Suosittelemme, että teet muutaman venyttelyharjoituksen alla olevan kuvan mukaisesti. Jokaisen venytyksen tulisi kestää noin 30 sekuntia. Älä tee venytyksiä väkisin tai nykäisten - jos tunnet kipua, LOPETA.

Harjoitteluvaihe

Tämä on se vaihe, jossa ponnistelet.

Säännöllisen harjoittelun tuloksena jalkojesi lihakset tulevat joustavammiksi. Tässä vaiheessa on hyvin tärkeää ylläpitää tasaista nopeutta koko ajan. Rasituksen tulisi olla riittävän suuri, jotta sykkeesi nousee tavoitealueelle alla olevan kaavion mukaisesti



Tämän vaiheen tulisi kestää vähintään 12 minuuttia, mutta useimmilla aloittelijoilla se on noin 15-20 minuuttia.

Jäähdyttelyvaihe

Tämän vaiheen tarkoituksena on antaa verenkiertojärjestelmäsi ja lihaksiesi palautua. Jäähdyttelyssä toistetaan lämmittelyvaiheen harjoitukset vähentämällä ensin nopeutta ja jatkamalla tällä nopeudella noin 5 minuuttia. Toista sitten venyttelyharjoitukset pitäen mielessä, että venytyksiä ei saa tehdä väkisin tai nykäisten.

Kun kuntosi nousee, voit tarvita pidempiä ja raskaampia harjoituksia. On suositeltavaa treenata vähintään kolme kertaa viikossa, ja harjoittelut olisi hyvä jakaa tasaisesti viikon varrelle.

Lihasten kiinteytys

Jos tavoitteesi on lihasten kiinteytys, sinun pitää asettaa vastus suureksi. Silloin jalkojesi lihakset rasittuvat enemmän, etkä ehkä pysty treenaamaan niin pitkään kuin haluaisit. Jos tavoitteesi on myös kunnan kohentaminen, sinun pitää muuttaa harjoitteluohjelmaasi. Harjoittele lämmittely- ja jäähdyttelyvaiheissa

normaalisti, mutta lisää vastusta harjoitteluvaiheessa, jotta jalkasi joutuvat tekemään enemmän työtä. Vähennä tarvittaessa nopeutta, jotta sykkeesi pysyy tavoitealueella.

Painon pudotus

Ratkaisevaa on se, miten rasittavaa harjoittelu on. Mitä enemmän ja mitä pidempään harjoittelet, sitä enemmän poltat kaloreita. Vaikutus on sama kuin jos harjoittelisit kunnan kohentamiseksi, vaikka tavoite on nyt toinen.

Käyttö

Vastuksen säätäminen

Kasvattaaksesi tai pienentääksesi vastusta, käännä putken säätönupista. Myötäpäivään kääntämällä (+) lisäät vastusta ja vastapäivään (-) kääntämällä pienennät vastusta.

Nupin yläpuolella oleva asteikko (1-8) auttaa sopivan vastuksen asettamisessa.

Paristojen vaihto (Kuva E)

Ohjauspaneeli on varustettu 1:llä AAA-paristolla ohjauspaneelin takaosassa.

- Poista kansi.
- Poista vanhat paristot.
- Laita uudet paristot paikalleen. Varmista paristojen olevan asennettu (+) ja (-) napaisuusmerkintöjen mukaisesti.
- Asenna kansi paikalleen.

Ohjauspaneeli



HUOMAUTUS

- Pidä ohjauspaneeli pois suorasta auringonvalosta.
- Kuivaa ohjauspaneelin pinta, jos siihen on tippunut hikeä.

- Älä nojaa ohjauspaneeliin.
- Kosketa näyttöä vain sormenpäälläsi. Älä kosketa näyttöä kynsilläsi tai terävillä esineillä.



ILMOITUS

- Ohjauspaneeli siirtyy valmiustilaan, kun laitetta ei ole käytetty 4 minuuttiin.

Förklaring av displayfunktioner

Scan

- Näyttö skannaa automaattisesti jokaisen tilan 4 sekunnin välein: Time, Speed, Odo, Rpm, Dist, Cal.

Speed

- Esittää senhetkisen harjoittelunopeuden.
- Alue on: 0 ~ 999.9 km/h.
- Jos näyttö ei harjoittelun aikana vastaanota signaalia 4 sekuntiin, näytön SPEED on "0.0"

Odo

- Laskee automaattisesti sai kierrosta aikoina harjoituksen väliintulon.
- Alue on: 0 ~ 9999.

Time

- Laskee automaattisesti kertyneen harjoitteluajan.
- Alue on: 00:00 ~ 59:59.

Rpm

- Näyttää kierrokset minuutissa
- Alue on: 0 ~ 9999.
- Jos näyttö ei harjoittelun aikana vastaanota signaalia 4 sekuntiin, näytön RPM on "0".

Dist

- Laskee automaattisesti harjoittelun aikana kertyneen harjoittelumatkan.
- Alue on: 0,00 ~ 9999.

Cal

- Laskee automaattisesti harjoittelun aikana poltetut kalorit.
- Alue on: 0 ~ 9999.



HUOM

- Nämä tiedot ovat karkeita ohjeita erilaisten harjoittelujen vertailua varten, eikä niitä voida käyttää lääketieteellisen hoidon pohjana.

Förklaring av knappar

Mode/ Reset

- Valitse jokainen toiminto painamalla näppäintä Mode/ Reset.
- Painamalla Mode/ Reset -näppäintä 5 sekunnin ajan voit nollata kaikki toiminnot : Time, Count, Calories.

Toiminta

Laitteen kytkeminen päälle

- Voit aktivoida virransäästötilassa olevan konsolin painamalla mitä tahansa näppäintä.
- Voit aktivoida virransäästötilassa olevan konsolin alkamalla polkea.

Pois päältä / virransäästötila

Jos näyttö ei vastaanota signaaleja 4 minuuttiin, se siirtyä automaattisesti virransäästötilaan (SLEEP).

Puhdistus ja huolto

Laite ei vaadi erityishuoltoa. Laite ei vaadi uudelleenkalibrointia kokoonpanon, käytön ja ohjeiden mukaan suoritetun huollon jälkeen.



VAROITUS

- Irrota adapteri ennen puhdistusta ja huoltoa.
 - Älä käytä liuottimia laitteen puhdistukseen.
- Puhdista laite pehmeällä, imukykyisellä kankaalla jokaisen käytön jälkeen.
 - Tarkista säännöllisesti kaikkien ruuvien ja mutterien olevan tiukasti kiinni.
 - Voitele nivelet tarvittaessa.

Viat ja häiriöt

Huolimatta jatkuvasti laadunvarmistuksesta laitteessa voi tapahtua yksittäisen osan aiheuttamia vikoja ja häiriöitä. Useimmissa tapauksissa viallisen osan vaihtaminen on riittävää

- Jos laite ei toimi normaalisti, ota välittömästi yhteys jälleenmyyjään.
- Anna jälleenmyyjälle laitteen malli- ja sarjanumero. Kerro ongelman luonne, käyttöolosuhteet ja ostopäivä.

Takuu

Tunturi-kuntolaitteen omistajan takuu

Takuuehdot

Kuluttajalla on sovellettavan kulutustavaroiden kauppaa koskevan kansallisen lainsäädännön mukaiset lailliset oikeudet, eikä takuulla rajoiteta näitä oikeuksia. Omistajan Takuu on voimassa vain, mikäli laitetta käytetään Tunturi New Fitness BV:n kyseiselle laitteelle sallimassa käyttöympäristössä. Kunkin laitteen sallittu käyttöympäristö mainitaan laitteen käyttöohjeessa.

Takuuehdot

Takuuehdot tulevat voimaan tuotteen ostopäivästä lukien. Takuuehdot voivat olla erilaiset eri maissa, joten pyydä takuuehdot paikalliselta jälleenmyyjältä.

Takuun kattavuus

Missään olosuhteissa Tunturi New Fitness BV tai Tunturi-jälleenmyyjä ei vastaa ostajalle mahdollisesti aiheutuviista välillisistä vahingoista, kuten käyttöhyödyn tai tulojen menetyksestä taikka muista taloudellisista seurausvahingoista.

Takuun rajoitukset

Takuu kattaa työstä ja materiaalista johtuvat virheet kuntolaitteessa, joka on alkuperäisessä kokoonpanossaan.

Takuu koskee vain virheitä, jotka ilmenevät normaalissa ja laitteen mukana tulleen ohjekirjan mukaisessa käytössä edellyttäen, että Tunturin asennus-, huolto- ja käyttöohjeita on noudatettu. Tunturi New Fitness BV:n ja Tunturin jälleenmyyjät eivät vastaa virheistä, jotka aiheutuvat heidän vaikutusmahdollisuksiensa ulkopuolella olevista seikoista. Takuu on voimassa vain niissä maissa, joissa Tunturi New Fitness BV:llä on valtuutettu maahantuojia. Takuu ei koske sellaisia kuntolaitteita tai osia, joita on muutettu ilman Tunturi New Fitness BV:n suostumusta. Takuu ei koske virheitä, jotka johtuvat luonnollisesta kulumisesta, virheellisestä käytöstä, käytöstä olosuhteissa, joihin kuntolaitetta ei ole tarkoitettu, korroosiosta tai lastaus- tai kuljetusvahingoista.

Takuu ei koske käyttöäniä, jotka eivät olennaisesti haittaa laitteen käyttöä eivätkä johdu laitteesta olevasta virheestä.

Takuu ei myöskään sisällä kunnossapitoimenpiteitä, kuten puhdistusta, voitelua tai sen osien normaalia tarkistamista, eikä sellaisia asennustoimenpiteitä, jotka asiakas voi suorittaa itse ja jotka eivät edellytä erityistä kuntolaitteen purkamista / kokeamista. Tällaisia toimenpiteitä ovat esim. mittareiden, polkimien tai muiden vastaavien yksinkertaisten osien vaihdot. Muun kuin valtuutetun Tunturi-edustajan suorittamia takuukorjauksia ei korvata. Laitteen käyttöohjeen noudattamatta jättäminen aiheuttaa takuun raukeamisen.

Lisätietoa laitteen omistajalle

Pakkauksen hävittäminen

Lainsäädäntö ohjeistaa meitä vähentämään kaatopaikoille toimitetun jätteen määrää. Sen vuoksi pyydämme sinua toimittamaan kaikki pakkausjätteet sitä varten tarkoitettuun kierrätyspisteeseen.

Laitteen hävittäminen käyttöön päättyessä

Me Tunturilla toivomme, että iloitset kuntolaitteestasi vuosia. Jokainen kuntolaite tulee kuitenkin aikanaan oman käyttöikänsä loppuun. Kotitalouksien sähkö- ja elektroniikkalaiteromua käsittelevien eurooppalaisten määräysten (WEEE) mukaan sinun kuuluu toimittaa kuntolaitteesi sitä varten tarkoitettuun keräyspaikkaan.

Valmistajan vakuutus

Tunturi New Fitness BV vakuuttaa tuotteen täyttävän seuraavien standardien ja direktiivien vaatimukset: EN 957 (HC), 89/336/ETY. Tässä tuotteessa on sen vuoksi CE-merkki.

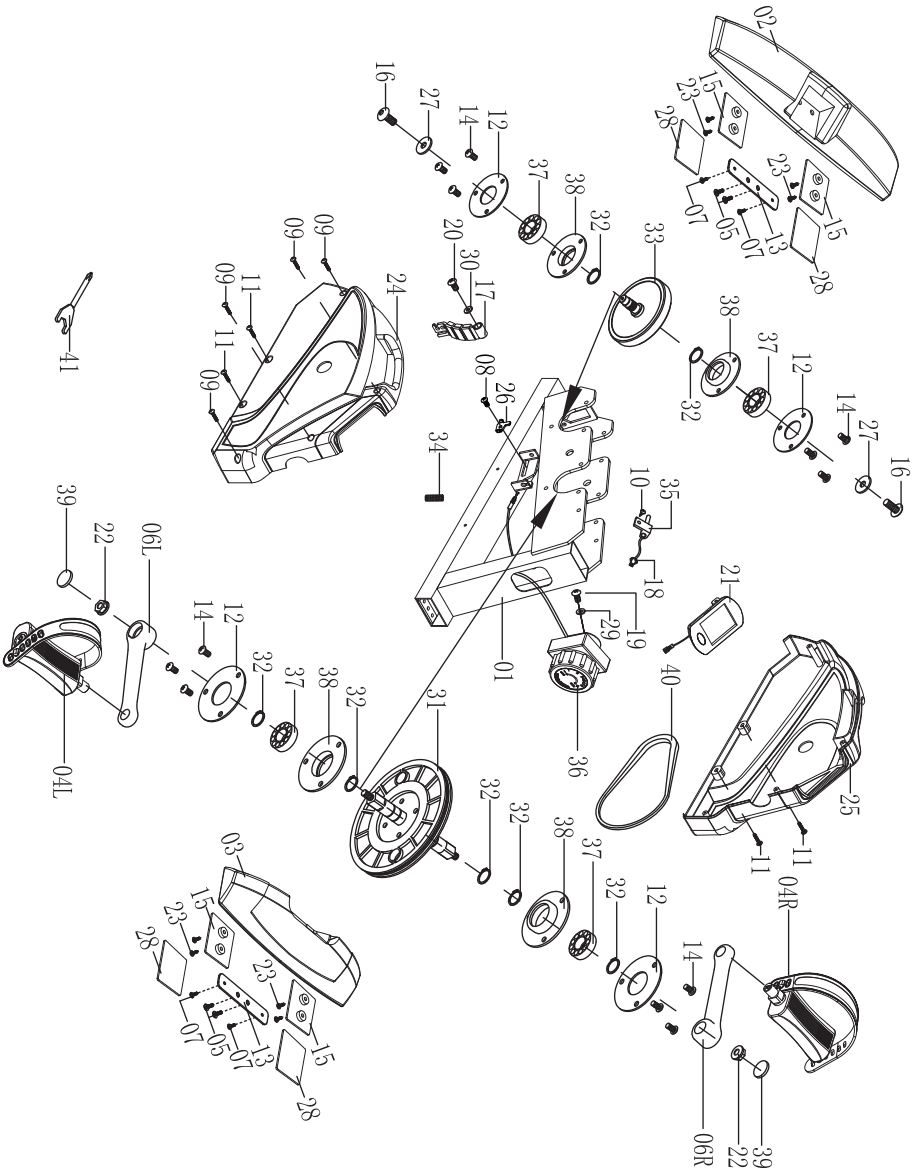
01-2017

Tunturi New Fitness BV
Purmerweg 1
1311 XE Almere
Alankomaat

Vastuuvapauslauseke

© 2017 Tunturi New Fitness BV
Kaikki oikeudet pidätetään.

Tuote ja käyttöopas saattavat muuttua. Teknisiä tietoja saatetaan muuttaa ilman eri ilmoitusta.



No.	Description	Qty
01	Main frame	1
02	Front stabilizer	1
03	Rear stabilizer	1
04L	Pedal (LH)	1
04R	Pedal (RH)	1
05	Screw (M5x15L)	4
06L	Crank (LH)	1
06R	Crank (RH)	1
07	Self-tapping screw (ST4.2x15L)	4
08	Bolt (M5x10L)	1
09	Self-tapping screw (M4x20L)	4
10	Screw (M4x10L)	1
11	Self-tapping screw (M4x25L)	4
12	Fixed plate	4
13	Stabilizer plate	2
14	Bolt (M6x10L)	12
15	Square plate	4
16	Allen bolt (M8x15L)	2
17	Magnetic assembly	1
18	Sensor wire	1
19	Bolt (M5x20L)	1
20	Bolt (M5x10L)	1
21	Computer	1
22	Flange nut (M10x7tx1.25P)	2
23	Self-tapping screw (ST4.2x12L)	8
24	Chain cover (LH)	1
25	Chain cover (RH)	1
26	Fixed plate	1
27	Flat washer (Ø8.3xØ25x2.0t)	2
28	Non-slip pad	4
29	Flat washer (Ø5.2xØ18x1.5t)	1
30	Plastic washer (Ø6.5xØ13x-0.5t)	1
31	Pulley	1
32	C-clip	7
33	Flywheel	1

34	Spring	1
35	Sensor bracket	1
36	Tension knob	1
37	Bearing (6003ZZ)	4
38	Bearing bracket	4
39	End cap for crank	2
40	Belt	1
41	Multi-function wrench	1
	Hardware kit	1



Tunturi New Fitness BV

Purmerweg 1 NL - 1311 XE Almere
P.O. Box 60001 NL - 1320 AA Almere
The Netherlands

www.tunturi-fitness.com