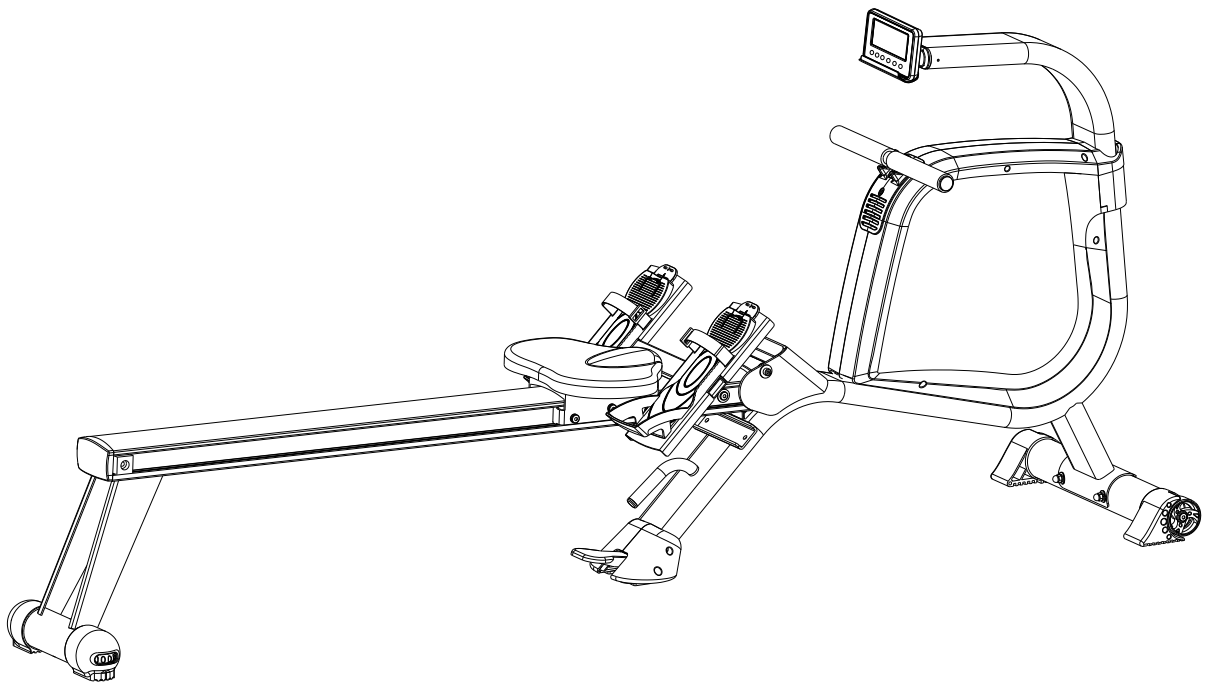




USER MANUAL – EN
IN 18104 Rowing machine inSPORTline RW600



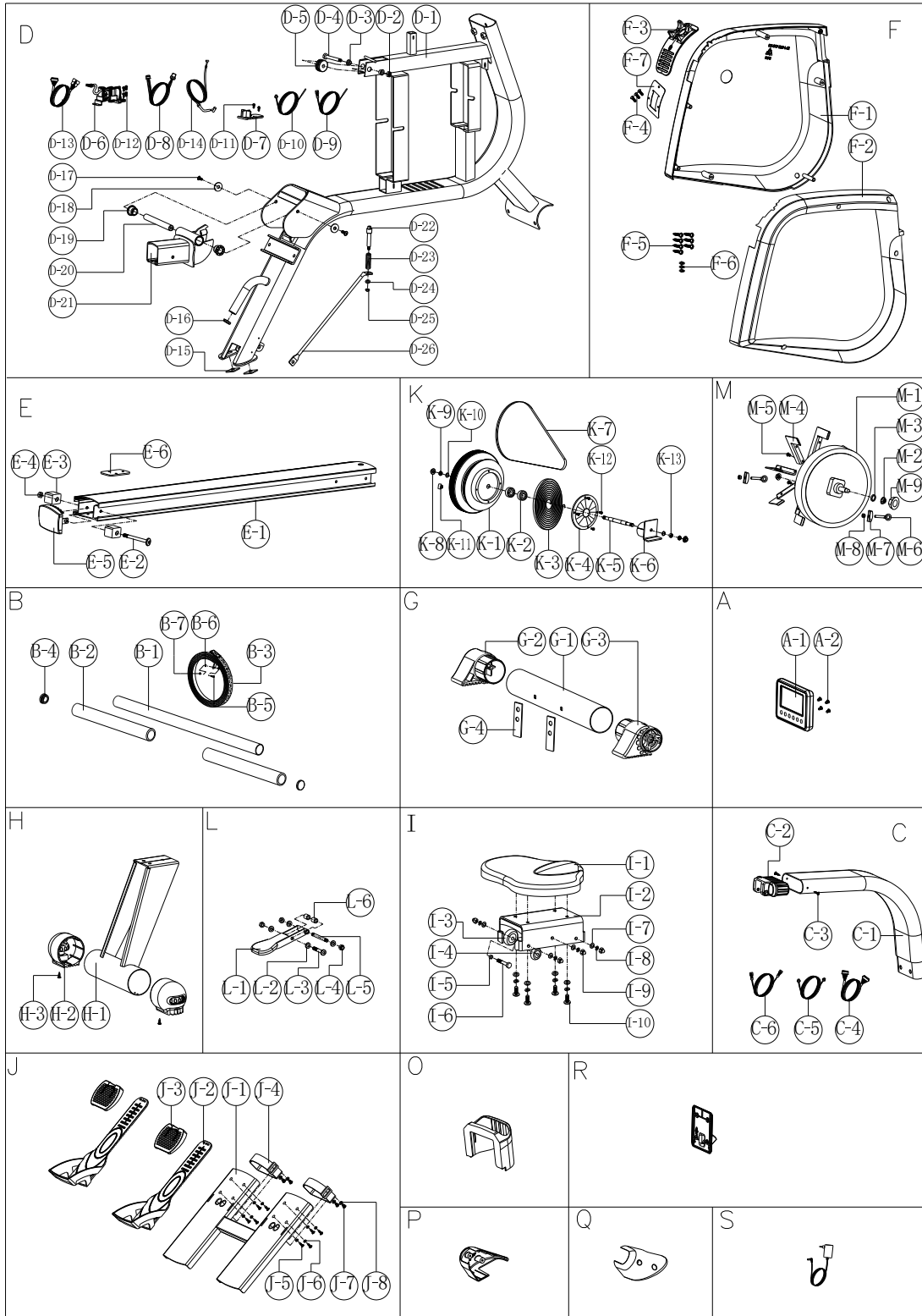
CONTENTS

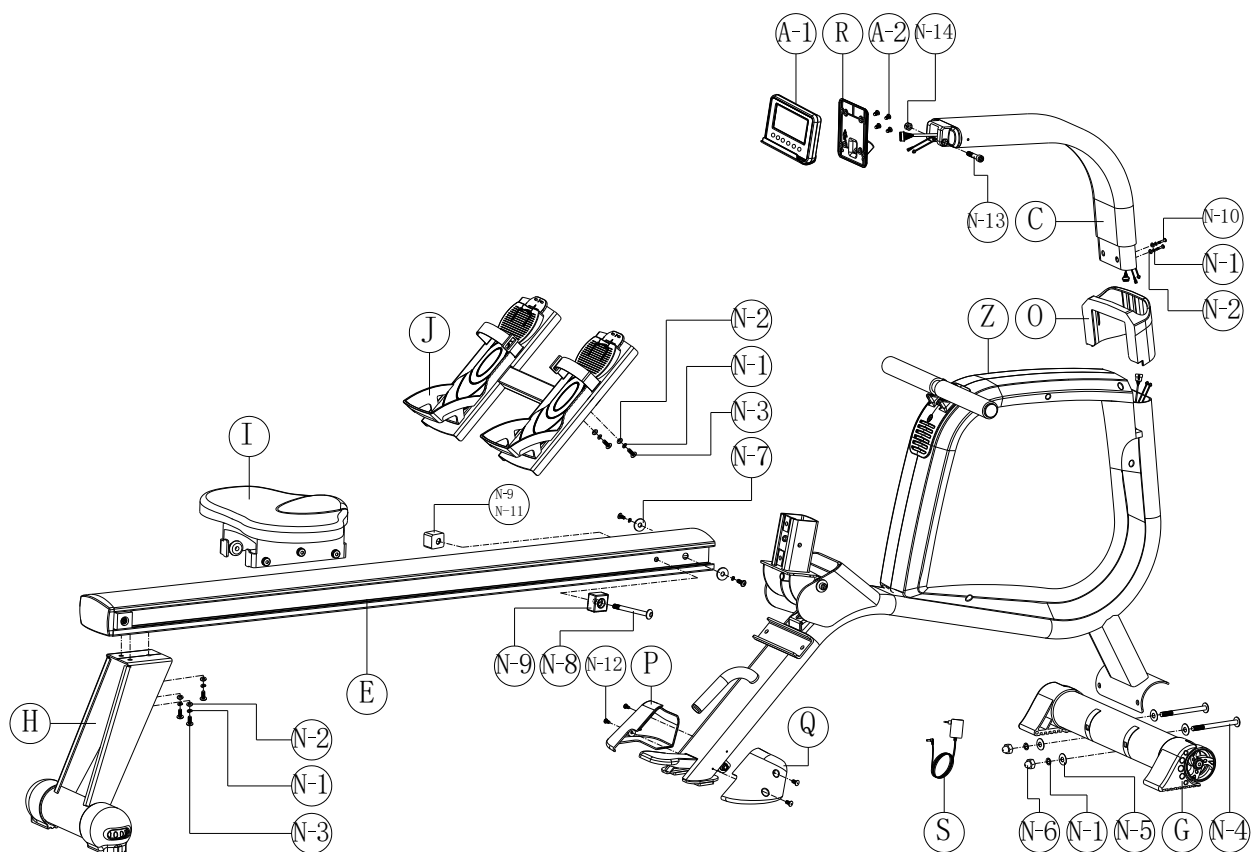
- SAFETY PRECAUTIONS..... 3
- PRODUCT DESCRIPTION 4
- CHECK LIST..... 8
- ASSEMBLY 9
- PEDAL ADJUSTMENT..... 12
- DISPLAY AND BUTTONS..... 13
 - Display 13
 - Buttons 13
 - Console 14
- TROUBLESHOOTING 18
- iConsole+Training APP 18
- HOW TO EXERCISE..... 19
- MAINTENANCE 19
- STORAGE 20
- IMPORTANT NOTICE..... 20
- ENVIRONMENT PROTECTION 20
- TERMS AND CONDITIONS OF WARRANTY, WARRANTY CLAIMS..... 20

SAFETY PRECAUTIONS

- Read this manual carefully before first using and retain it for future reference.
- Observe all warnings and precautions including assembly steps. Use it only for intended purpose.
- Assemble and use it only according to this manual to assure your safety. Inform all other users about safe usage.
- Keep it away from children and pets. Don't let children unattended near this device. Only an adult person may assemble and use it.
- Ask your physician for advice before starting any exercise program. It is especially necessary if you suffer from some health problems or if you take some medication that could affect your heart rate, blood pressure or cholesterol level.
- Observe body signals. If you feel some problems (pain, tightness in chest, irregular heartbeat, breathing shortness, dizziness or nausea), stop immediately. Improper exercising can result in serious health problems or in an injury.
- Put it only on a flat, dry and clean surface and keep a safety clearance of at least 0.6 m from other objects for higher safety. Use a protective cover to protect carpet or floor.
- Wear adequate sports clothes and sports shoes. Avoid too loose clothes.
- Don't use it outdoors.
- Check this device for damage or wearing before each using. Regularly check all bolts and nuts. They should be well tightened. Re-tighten, if necessary. Never use damaged or worn device to assure your safety.
- If some sharp edges occur, stop using.
- If you hear some unusual noises coming from this device, stop using.
- No adjustable part should protrude and obstruct user movements. Only one person may use it at time.
- It is not intended for therapeutic purpose.
- Pay attention while lifting or transporting it to avoid back injury. Use only proper lifting techniques or ask some other person for help.
- Don't do any improper modification of this product. If necessary, contact authorized service.
- **Weight limit:** 150 kg
- **Category:** SB (EN 957-1 and EN 957-7, suitable for professional and commercial use)
- **WARNING!** The heart rate frequency monitoring may not be completely accurate. Overexertion during training can lead to a serious injury or even death. If you start to feel faint, stop the exercise immediately.

PRODUCT DESCRIPTION



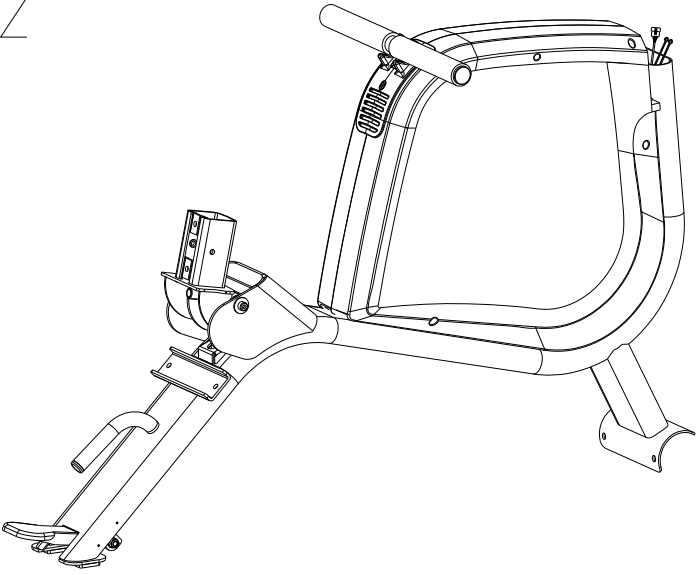
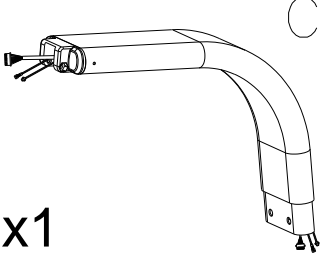
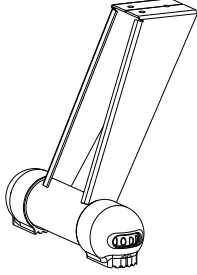
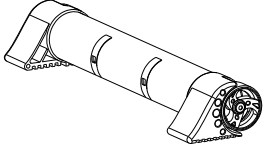
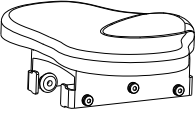
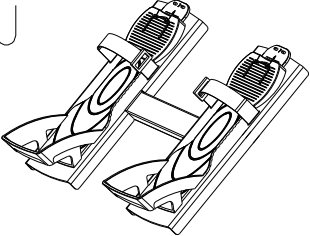
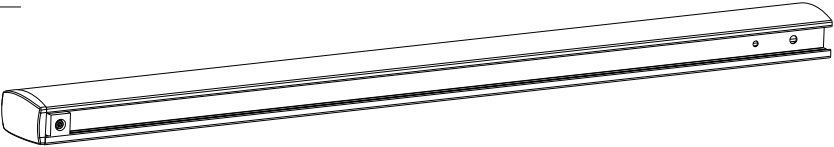
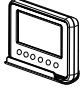


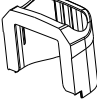
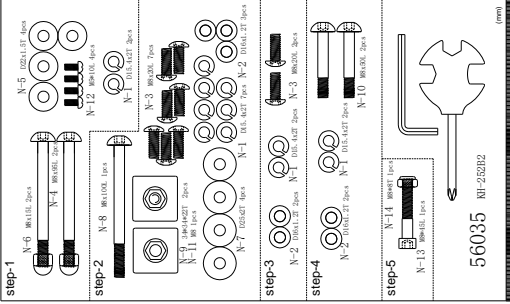




NO.	Description	QTY	NO.	Description	QTY
A	Computer set	1	I-1	Seat	1
A-1	Computer	1	I-2	Supporting bracket for seat	1
A-2	Cross bolt M5x0.8x15L	4	I-3	Pulley	4
B	Pulling strap set	1	I-4	Pulley	2
B-1	Foam roller	1	I-5	Bushing D12*D8.2*12.6L	6
B-2	Foam roller	2	I-6	Hex bolt M8x1.25x35L	6
B-3	Pulling strap	1	I-7	Flat washer D16xD8.5x1.2T	10
B-4	Foam cap	2	I-8	Spring washer D15.4xD8.2x2T	10
B-5	Cross screw M5*0.8*15L	1	I-9	Nut M8*1.25*15T	6
B-6	Flat washer D15*D5.2*1.0T	2	I-10	Allen bolt M8x1.25x20L	4
B-7	Nylon nut M5*0.8*5T	1	J	Pedal set	1
C	Handlebar post set	1	J-1	Fixing plate for pedal	1
C-1	Handlebar post	1	J-2	Pedal plate	2
C-2	Computer bracket	1	J-3	Fixing bracket for pedal	2
C-3	Cross screw ST4.2*1.4*15L	2	J-4	Pedal strap	2
C-4	Upper computer cable	1	J-5	Cross screw ST4.2x1.4x10L	8
C-5	Lower computer cable	1	J-6	Flat washer D12*D4.3*1.0T	8
C-6	Lower computer cable (1)	1	J-7	Cross screw M5*0.8*10L	4

D	Main frame set	1	J-8	Flat washer	4
D-1	Main frame	1	K	Wheel for pulling rope set	1
D-2	Nylon nut M8*1.25*8T	1	K-1	Wheel for pulling rope	1
D-3	Bushing D13.5*D10*9	2	K-2	Bearing #6000ZZ	2
D-4	Ladder bolt M8*1.25*55.5L	1	K-3	Volute spring	1
D-5	Pulley	1	K-4	Fixing plate for spring	1
D-6	Motor	1	K-5	Flywheel axle	1
D-7	Fixing bracket for sensor	1	K-6	Fixing bracket for volute spring	1
D-8	Power cable	1	K-7	Belt	1
D-9	Sensor	1	K-8	Nut 3/8"-26UNFx6.5T	2
D-10	Sensor (1)	1	K-9	Hex nut D9.5*4T(3/8"-26UNF*4T)	2
D-11	Cross screw M5*0.8*10L	2	K-10	C-clip S-10(1T)	2
D-12	Cross screw ST4.2*1.4*15L	4	K-11	Round magnet	4
D-13	Lower computer cable	1	K-12	Cross screw ST4.2*15L	4
D-14	Tension cable	1	K-13	Hex nut D9.5x5T (3/8"-26UNF	1
D-15	Buffer 35*35*5T	2	L	Footboard set	1
D-16	Round cap	1	L-1	Footboard	1
D-17	Hex bolt M8*1.25*15L	2	L-2	Flat washer D16*D8.5*1.2T	4
D-18	Flat washer D25xD8.5x2T	2	L-3	Allen bolt M8*1.25*55L	1
D-19	Bushing D28.6*D22.6*3T	2	L-4	Nylon nut M8*1.25*8T	3
D-20	Connecting axle	1	L-5	Fixing axle for magnetic bracket	1
D-21	Sliding bracket	1	L-6	Bushing D12.7*D8.2*15.5L	2
D-22	Locking bolt D14.5*59L	1	M	Magnetic system set	
D-23	Spring D13.5*D1.5*86L	1	M-1	Magnetic system	1
D-24	Flat washer D16*D8.5*1.2T	3	M-2	Anti-loose nut	2
D-25	Ladder bolt D8*M6*10	1	M-3	Spacer D10*D14*3T	1
D-26	Connecting rod	1	M-4	Air blade set	1
E	Slide rail set	1	M-5	Cross bolt M5x0.8x10L	4
E-1	Slide rail	1	M-6	Adjustable Washer	2
E-2	Allen bolt M8*1.25*100L	1	M-7	U-Washer 30*9*8	1
E-3	Buffer 34*34*22T	2	M-8	Hex nut M6*1*5T	1
E-4	Hex nut M8*P1.25*6T	1	M-9	Screw cover	1
E-5	Cover	1	N	Screw set	
E-6	Fixing board	1	N-1	Spring washer D15.4*D8.2*2T	13
F	Chain cover set	1	N-2	Flat washer D16xD8.5x1.2T	7
F-1	Left chain cover	1	N-3	Allen bolt M8x1.25x20L	9
F-2	Right chain cover	1	N-4	Allen bolt M8*1.25*95L	2
F-3	Cover for pulling strap	1	N-5	Curved washer D22xD8.5x1.5T	4

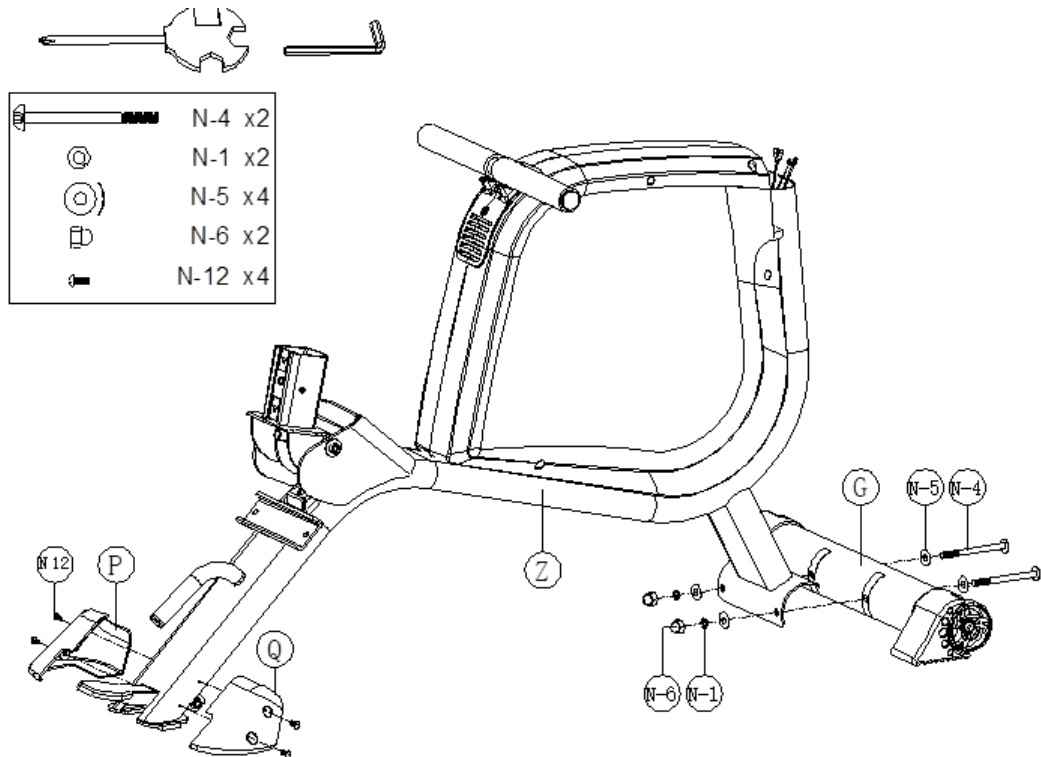
F-4	Cross screw M5*0.8*10L	3	N-6	Nut M8x1.25x15L	2
F-5	Cross screw ST4.2x1.4x20L	7	N-7	Flat washer D25xD8.5x2T	4
F-6	Pin D6*26.5*7.7	3	N-8	Allen bolt M8*1.25*100L	1
F-7	Guidance for pulling strap	1	N-9	Buffer 34*34*22T	2
G	Front stabilizer set	1	N-10	Allen bolt M8*1.25*50L	2
G-1	Front stabilizer	1	N-11	Hex nut M8*P1.25*6T	1
G-2	Left moveable cap	1	N-12	Cross screw M5x0.8x10L	4
G-3	Right moveable cap	1	N-13	Screw M8*1.25*45L	1
G-4	Buffer	2	N-14	Nylon nut M8*1.25*8T	1
H	Rear stabilizer set	1	O	Upper cover	1
H-1	Rear stabilizer	1	R	Fixing bracket for computer	1
H-2	Adjustable cap	2	P	Foot cap (left)	1
H-3	Cross screw ST4x1.41x10L	2	Q	Foot cap (right)	1
I	Seat set	1	S	Adaptor	1

CHECK LIST

<p>Z</p>  <p>x1</p>	<p>C</p>  <p>x1</p>		
<p>H</p>  <p>x1</p>	<p>G</p>  <p>x1</p>		
<p>I</p>  <p>x1</p>	<p>J</p>  <p>x1</p>		
<p>E</p>  <p>x1</p>	<p>A</p>  <p>x1</p>		
<p>P</p>  <p>x1</p>	<p>Q</p>  <p>x1</p>	<p>O</p>  <p>x1</p>	<p>N</p>  <p>56035 RH-26202</p>
<p>R</p>  <p>x1</p>	<p>S</p>  <p>x1</p>		

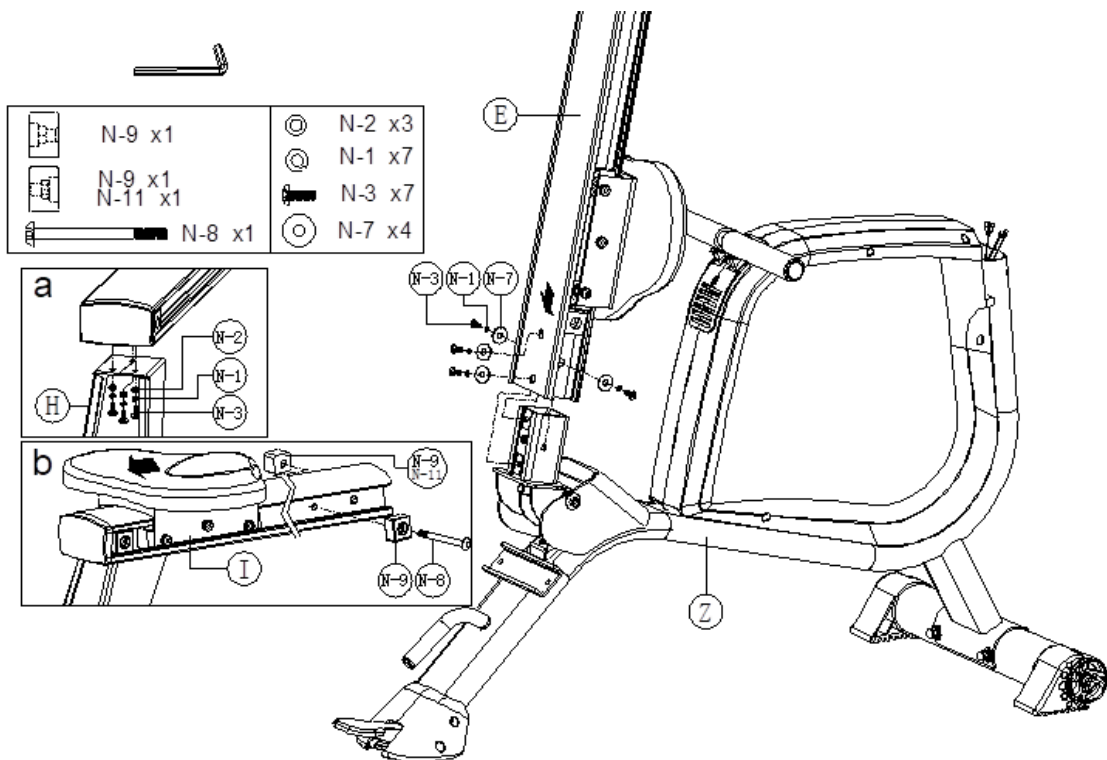
ASSEMBLY

Step 1



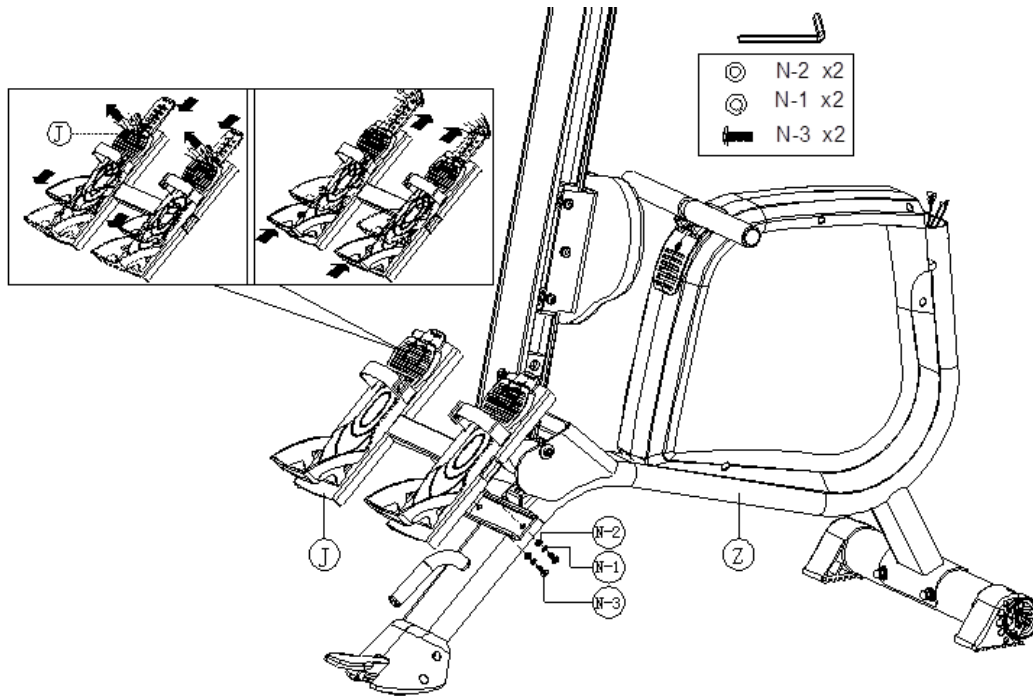
- Assemble the front stabilizer (G) to the main frame (Z) with bolt (N-4), curve washer (N-5), spring washer (N-1) and nut (N-6)
- Connect the left and right foot cap (P, Q) to the main frame (Z) with cross screw (N-12).

Step 2



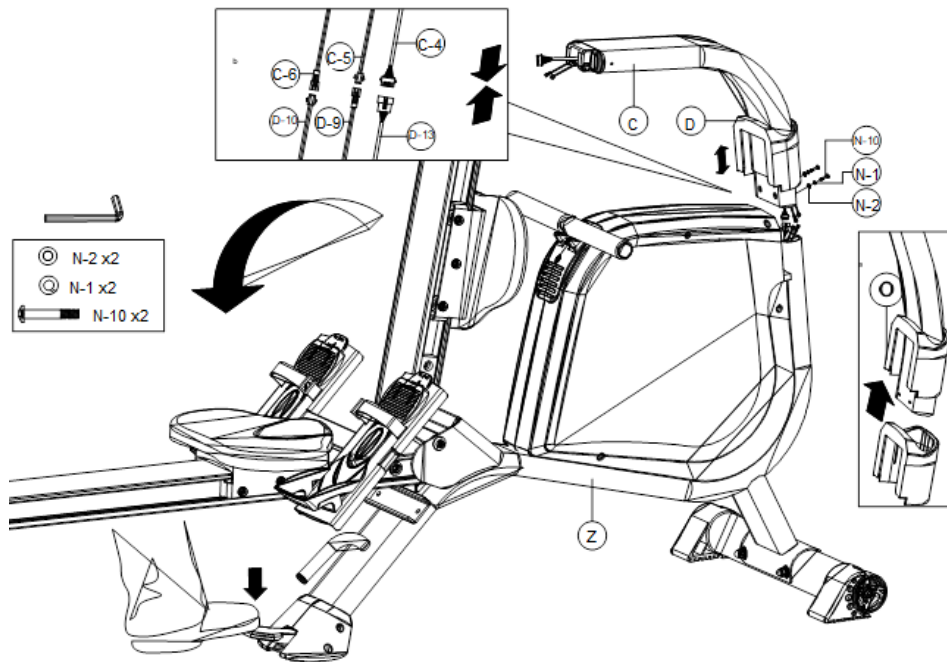
- Assemble the set (I) on sliding beam (E) and then connect the pre-assembled buffer (N-9, N-11) and buffer (N-9) to sliding beam (E) with Allen bolt (N-8) as shown on Pic. b.
- Assemble the rear stabilizer (H) to sliding beam (E) by using the Allen bolt (N-3) and spring washer (N-1) and flat washer (N-2) as shown on Pic. a.
- Connect the sliding beam (E) to main frame (Z) with Allen bolt (N-3), spring washer (N-1) and flat washer (N-7).

Step 3



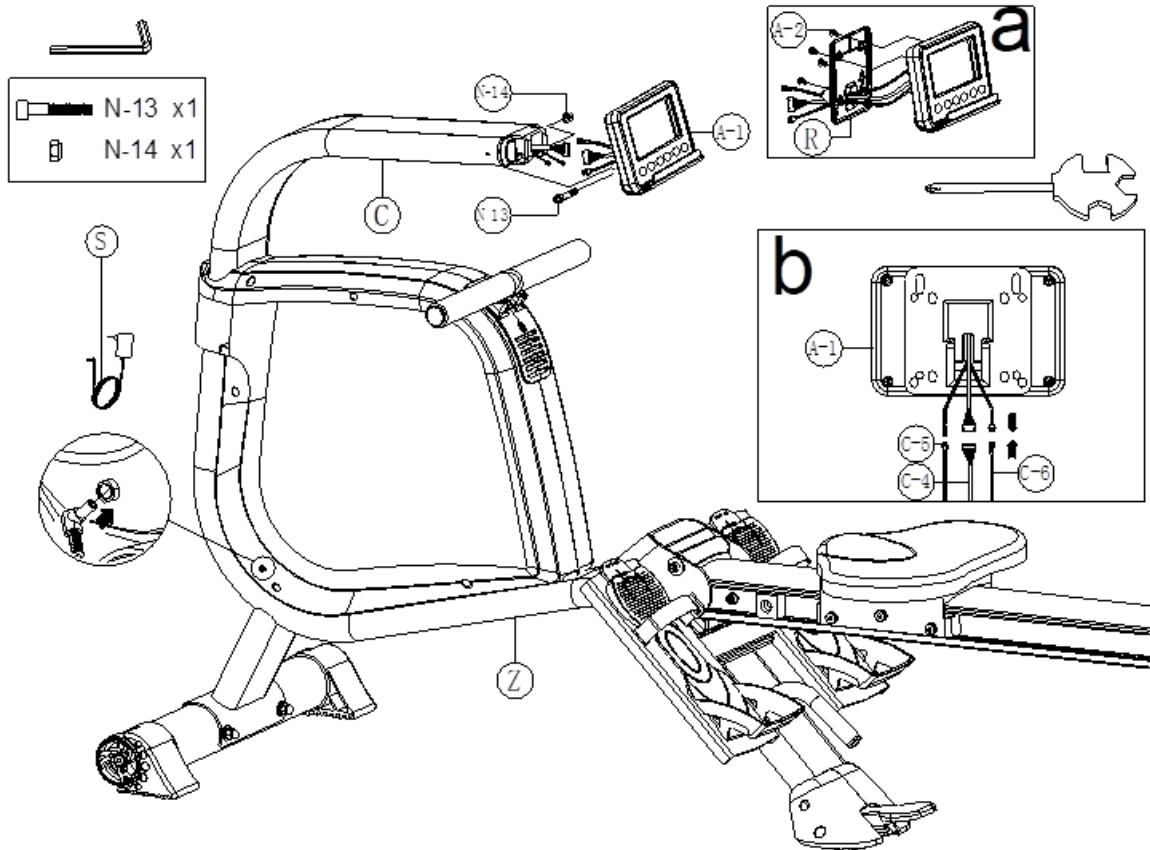
- Assemble the bracket for pedal (J) to main frame (Z) with Allen bolt (N-3), spring washer (N-1) and flat washer (N-2).

Step 4



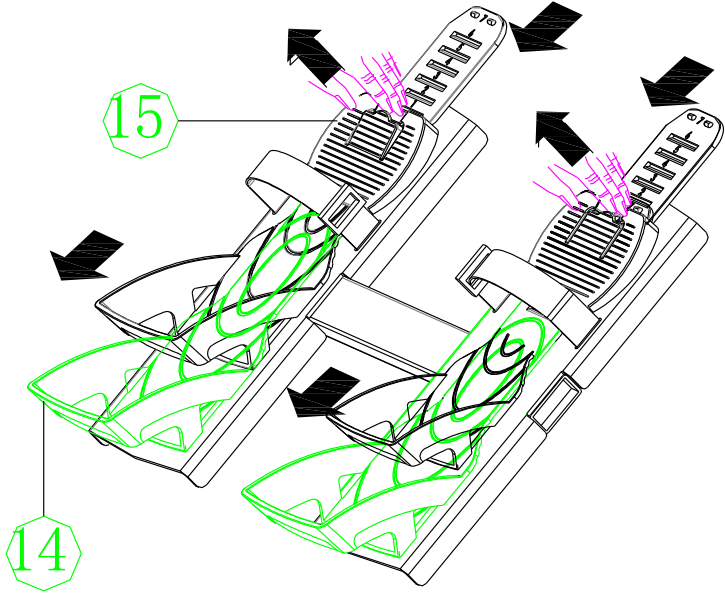
- Step on footboard (L-1) to fold the sliding beam (E) or unfold the sliding beam.
- Assemble the upper cover (O) to handlebar post (C) as shown on picture.
- Connect upper computer cable (C-4), lower computer cable (C-5), lower computer cable (1)(C-6) to lower computer cable (D-13), sensor (D-9) and sensor I (D-10).
- Connect the handlebar post (C) to main frame (Z) with bolt (N-10), spring washer (N-1) and flat washer (N-2).

Step 5

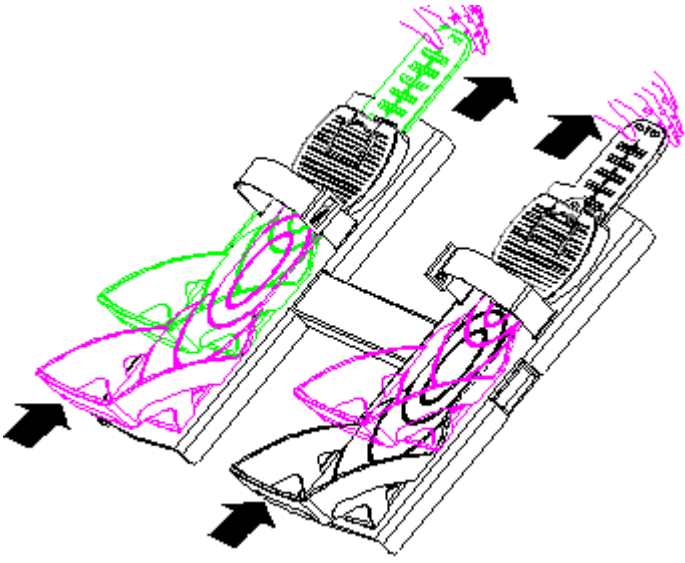


- Connect the computer (A-1) to bracket (R) with cross bolt (A-2) as shown on Pic. a.
- Connect the upper computer cable (C-4), lower computer cable (C-5), lower computer cable I (C-6) to the computer (A-1) as shown on Pic. b.
- Fix the computer (A-1) to computer bracket (C-2) with screw (N-13) and nylon nut (N-14).
- Assemble the adaptor and turn on the computer.

PEDAL ADJUSTMENT



- Adjust pedal position downward: pull out the clips on the fixing plates for pedal and at the same time pull the pedals down as shown above.



- Adjust pedal position upward: No need to pull out the slips. Directly pull the pedals up as shown on picture above.

DISPLAY AND BUTTONS

Display

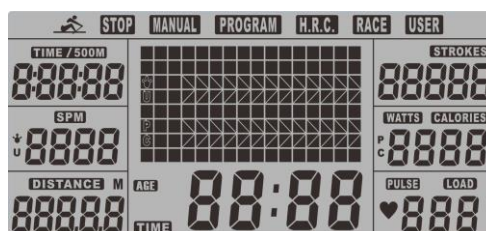
Display	Range	Description
SPM	0~999	Stroke per minute
TIME/500m	0.0 ~ 99:00	Display user exercise time Scan every 6 seconds and displays the time that is needed to reach 500 m
METERS	0~9999	Setting range: 50~1000
CALORIES	0 ~ 9999	Calories burned while doing exercise
STROKES	0~9999	The strokes count required to finish exercise. Scan every 6 seconds and calculates total amounts of strokes.
PULSE	30-240 BPM	0-30~240 heart tempo

Buttons

Button	Function
UP	Increase resistance value Function selection
DOWN	Decrease resistance value Function selection
MODE	To confirm setting and selection
RESET	Press this button for 2 seconds to restart the console. Let all set value return to zero. After finish training, user can press this button to return to the main menu.
START/STOP	START/STOP training
Heart rate recovery	Track the user's heart rate recovery.

It is not necessary to set functions. If you want to use the rowing machine for casual training, you can use it without setting up any function.

If the console is connected to power source, you will hear sound signal and LCD display will brighten up for 2 seconds as shown on picture below.



Console

The console will switch to power saving mode if there is no signal input for more than 4 minutes.

Audio signal:

- Confirmation of setting is accompanied with audio signal.
 - 1 audio signal – confirmation of settings
 - 2 audio signals – invalid setting

Training data:

The console can calculate and display all values according to exercise status.

- If PULSE display “P” without heart rate value, then the system can not detect pulse. Please wear the chest belt correctly. Then the console can detect heart rate.
- The display shows different data according to the exercise
- There are different types of exercise that the user can choose.
- You can choose:
 - In manual mode you don't need a program to control the exercise.
 - Program exercise (total of 12 programs, user can choose presets programs P01-P12)
 - Heart rate control (HRC)
 - Race program exercise (RACE)
 - User can set up their own exercise program (User program)

Quick start (MANUAL)

Enter MANUAL – PROGRAM – HRC- RACE – USER the 1HZ will start to flash. Press UP/DOWN button to select manual and press MODE button to confirm. If the user chose a program, press RESET button to return to start screen.



Press START/STOP button to start exercise quickly without any setting.

Press UP/DOWN button to fill personal setting, then press MODE button to confirm. Following values will be displayed:

- Resistance (1-16)
- TIME or METERS (can not be setup at the same time)
- CALORIES
- PULSE

Press UP/DOWN button to set value, press MODE to confirm.

Press START/STOP to start exercise.



When the set value reaches the limit, the console will give sound signal and stop.

- User can press UP/DOWN to adjust the resistance. The new resistance will be shown on display. (Default value is 1)
- Press START/STOP to finish exercise. All exercise values are saved.
- Press RESET to return to exercise selection.

Chose an exercise program (PROGRAM)

Press UP/DOWN to navigate to MANUAL – PROGRAM – HRC – RACE – USER

Choose program and press MODE to confirm. There are 12 pre-set programs, you can navigate in menu with UP/DOWN buttons. Press MODE to enter values:

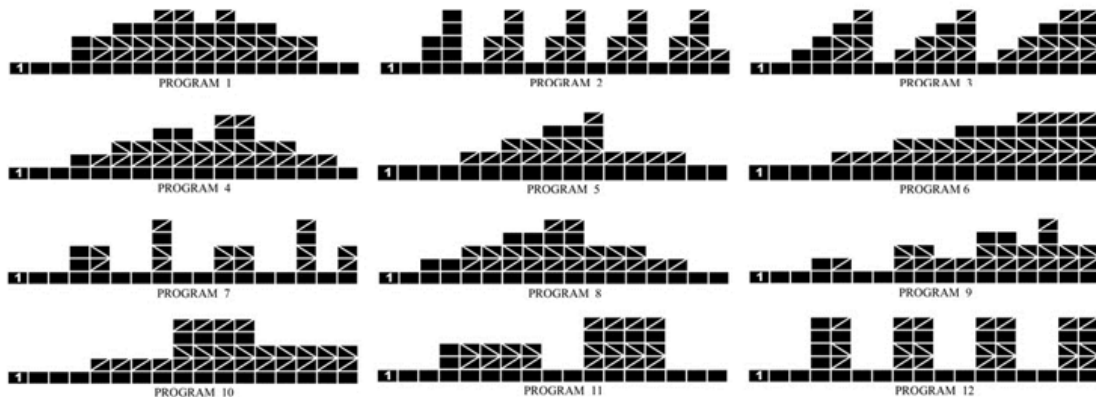
- Resistance (1-16)
- Time

Press RESET to start.



User can press UP/DOWN to adjust the resistance value when exercise. The new resistance value will display on display.

Programs are shown as below.



Intermittent program: P2 – P3 – P7 – P12

Resistance value: P6 – P9 – P11

Resistance value increase / decrease program: P1 – P4 – P5 – P8 – P10

The preset programs are designed specifically for aerobic exercise.

As beginner please start at lowest resistance.

After several training user can upgrade to intermittent program.

Press START/STOP button to finish training, all exercise values will be saved.

Press RESET button to return to exercise selection.

Set the program according to HRC

In this program the rower responds to HRC when using the chest belt.

This program can adjust resistance according to your HRC.

In addition, the simple graphic will be displayed whether the use needs to increase/decrease the resistance value.

- HRC 55 – The user can do the training efficiently in heart range of 55%. It is perfect exercise for beginners and for whole body fat consumption.
- HRC 75 – Suitable for experience users and athletes. 75% heart range.
- HRC90 – Maximum HRC, suitable for competitive athletes and short-term practice. 90% heart range
- TAG – In TAG mode the console can calculate a target heart rate base on user's age and the user can adjust their target heart rate. Do NOT set higher heart rate than is allowed according to your age.

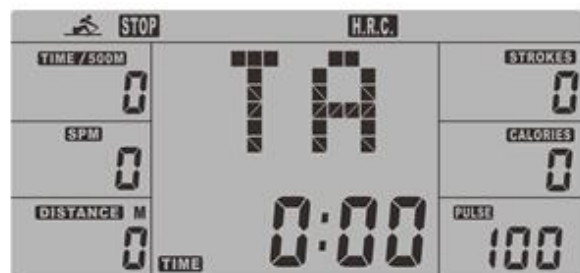
When you choose HRC55, HRC75, HRC90 the console will automatically calculate target heart rate.

When you choose TARGET program, LCD display will show preset value of 100. Press UP/DOWN to set value, from 30 to 240. Press MODE to confirm and the program will be saved.

Press UP/DOWN to set expected exercise time, press MODE button to confirm.

Press START/STOP button to start training.

In HRC program, user must wear chest belt, so that the console can detect the pulse and display.



Program sequence:

The console can set resistance value which allows user to keep steady exercise within targeted heart rate.

If the users heart rate is below the target heart rate, the resistance will increase by 1 level automatically every 30 seconds.

If the users exercise heart rate is more than target hear rate value the resistance will decline automatically by 1 level every 15 seconds. If it reaches the lowest level 1 and users heart rate is still over preset target hear rate value, then there will be a sound alarm signal after 30 seconds. The console will finish exercise program automatically.

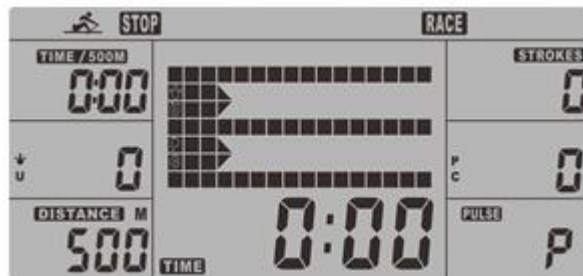
Racing training mode (RACE)

In this mode you can race against the console.

- Press UP/DOWN to select race, then press MODE to confirm.
- Press UP/DOWN to set SPM, press MODE to confirm.
- Press UP/DOWN to set DISTANCE, press MODE to confirm.
- Press UP/DOWN to adjust resistance value.
- Press START/STOP button to start training, the console display USER and PC exercise status.



When USER or PC finished the preset distance, the console will stop and display PC or USER win.

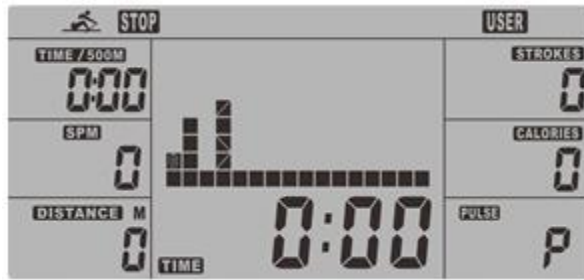


- Press START/STOP to finish training; all training values will be saved.
- Press RESET button, return to exercise selection mode.

User program

You can create your own training program.

- Press UP/DOWN to select USER PROGRAM and press MODE to enter, the first window will appear.
- Press UP/DOWN to set resistance value and press MODE button to confirm, then the next window will appear.
- Continue setting up until all 16 windows have been finished. The max resistance value is 16. Press MODE for long time to complete or exit the setting.
- Press UP/DOWN to set target exercise TIME and press MODE button to confirm.
- Press START/STOP to start training.
- When a set value reaches the preset target value, the console will alarm with beeps and stop.
- User can press UP/DOWN to adjust resistance level. The new set resistance value will display on the display. (The default is 1).
- Press START/STOP button to finish exercise, all exercise value will be saved.
- Press RESET button, return to exercise selection mode.



Recovery phase

It is recommended to take recovery test after intensive exercise. User need to be relax during heart rate recovery. Resistance load level do not need to be high. You need to slow down your heart rate to normal value.

Press heart rate recovery button and put on chest belt. Only TIME will be displayed at this time and count down from 00:60 will start. Other functions will not be available.

After 60 seconds the display will show results.



1.0	Best
$1.0 < F < 2.0$	Excellent
$2.0 < F < 2.9$	Good
$3.0 < F < 3.9$	Fair
$4.0 < F < 5.9$	Below average
6.0	Poor

If the heart rate is still high after 60 seconds (F is between 4 and 6) the user can continue hearth rate recovery program to slow down their heart rate further.

TROUBLESHOOTING

Console shows E-2: motor exceeds the normal range. Re-plug the power supply and restart the motor.

Console shows E-7: Check whether the connection is not damaged.

All setting data will be lost when you remove the power from the machine.

iConsole+Training APP

Turn on Bluetooth on your smart device. Open the iConsole+ Training app and pair your smart device with your console.



NOTE:

- When you start the iConsole+ Training app on your smart device, your console will turn off.
- To turn on the console, turn off the iConsole+ Training app and your Bluetooth on your smart device.

HOW TO EXERCISE

Phase of right rowing to strengthen specific muscles:

1. Stroke (Lower Muscle Exercise): Bend your knees and stretch your arms. Grasp the handle and keep your back straight (Pic 01).
2. Movement (center muscles): Reflect the legs and bend the arms (Pic 02).
3. End (upper body muscles): Take your back and legs tight. Hold your wrists straight and pull the handle (Pic 03).
4. Training the four-headed femoral muscle (Pic 04).
5. Muscle training on arms (Pic 05).
6. Practice of back and abdominal muscles (Pic 06)



Picture 01



Picture 02



Picture 03



Picture 04



Picture 05



Picture 06

MAINTENANCE

- Cleaning: Use a soft cloth and gentle cleaner to clean the product.
- Do not use abrasives or solvents on plastic parts.
- Wipe the sweat after each use.
- Protect your computer from moisture to avoid damaging the electronics.
- Protect machine and computer from direct sunlight.
- Check all screws and correct tightening of the pedals at least once a week. Tighten if necessary.
- Store in a dry and clean place. Keep away from children.

STORAGE

Keep the rowing machine in a clean and dry environment. Make sure the power switch is turned off and the rowing machine is not plugged into the power socket.

IMPORTANT NOTICE

- This rowing machine comes with standard safety regulations and is only suitable for home use. Any other use is prohibited and may be dangerous to users. We are not responsible for any injury caused by improper and forbidden use of the machine.
- Consult your doctor before starting training on the rowing machine. Your doctor should evaluate whether you are physically fit to use the machine and how much effort you are able to undergo. Incorrect exercise or switching of the body can harm your health.
- Carefully read the following tips and exercises. If you experience pain, nausea, breathing, or other health problems during exercise, immediately stop the exercise. If the pain persists, contact your doctor immediately.
- This rowing machine is not suitable as a professional or medical purpose. It can also not be used for healing purposes.
- The heart rate monitor is not a medical device. It provides only approximate information about your average heart rate, and any suggested pulse rate is not medically binding. Accumulated data may not always be accurate regarding uncontrollable human and environmental factors.

ENVIRONMENT PROTECTION

After the product lifespan expired or if the possible repairing is uneconomic, dispose it according to the local laws and environmentally friendly in the nearest scrapyards.

By proper disposal you will protect the environment and natural sources. Moreover, you can help protect human health. If you are not sure in correct disposing, ask local authorities to avoid law violation or sanctions.

Don't put the batteries among house waste but hand them in to the recycling place.

TERMS AND CONDITIONS OF WARRANTY, WARRANTY CLAIMS

General Conditions of Warranty and Definition of Terms

All Warranty Conditions stated hereunder determine Warranty Coverage and Warranty Claim Procedure. Conditions of Warranty and Warranty Claims are governed by Act No. 89/2012 Coll. Civil Code, and Act No. 634/1992 Coll., Consumer Protection, as amended, also in cases that are not specified by these Warranty rules.

The seller is SEVEN SPORT s.r.o. with its registered office in Borivojova Street 35/878, Prague 13000, Company Registration Number: 26847264, registered in the Trade Register at Regional Court in Prague, Section C, Insert No. 116888.

According to valid legal regulations it depends whether the Buyer is the End Customer or not.

“The Buyer who is the End Customer” or simply the “End Customer” is the legal entity that does not conclude and execute the Contract in order to run or promote his own trade or business activities.

“The Buyer who is not the End Customer” is a Businessman that buys Goods or uses services for the purpose of using the Goods or services for his own business activities. The Buyer conforms to the General Purchase Agreement and business conditions.

These Conditions of Warranty and Warranty Claims are an integral part of every Purchase Agreement made between the Seller and the Buyer. All Warranty Conditions are valid and binding, unless otherwise specified in the Purchase Agreement, in the Amendment to this Contract or in another written agreement.

Warranty Conditions

Warranty Period

The Seller provides the Buyer a 24 months Warranty for Goods Quality, unless otherwise specified in the Certificate of Warranty, Invoice, Bill of Delivery or other documents related to the Goods. The legal warranty period provided to the Consumer is not affected.

By the Warranty for Goods Quality, the Seller guarantees that the delivered Goods shall be, for a certain period of time, suitable for regular or contracted use, and that the Goods shall maintain its regular or contracted features.

The Warranty does not cover defects resulting from (if applicable):

- User's fault, i.e. product damage caused by unqualified repair work, improper assembly, insufficient insertion of seat post into frame, insufficient tightening of pedals and cranks
- Improper maintenance
- Mechanical damages
- Regular use (e.g. wearing out of rubber and plastic parts, moving mechanisms, joints etc.)
- Unavoidable event, natural disaster
- Adjustments made by unqualified person
- Improper maintenance, improper placement, damages caused by low or high temperature, water, inappropriate pressure, shocks, intentional changes in design or construction etc.

Warranty Claim Procedure

The Buyer is obliged to check the Goods delivered by the Seller immediately after taking the responsibility for the Goods and its damages, i.e. immediately after its delivery. The Buyer must check the Goods so that he discovers all the defects that can be discovered by such check.

When making a Warranty Claim the Buyer is obliged, on request of the Seller, to prove the purchase and validity of the claim by the Invoice or Bill of Delivery that includes the product's serial number, or eventually by the documents without the serial number. If the Buyer does not prove the validity of the Warranty Claim by these documents, the Seller has the right to reject the Warranty Claim.

If the Buyer gives notice of a defect that is not covered by the Warranty (e.g. in the case that the Warranty Conditions were not fulfilled or in the case of reporting the defect by mistake etc.), the Seller is eligible to require a compensation for all the costs arising from the repair. The cost shall be calculated according to the valid price list of services and transport costs.

If the Seller finds out (by testing) that the product is not damaged, the Warranty Claim is not accepted. The Seller reserves the right to claim a compensation for costs arising from the false Warranty Claim.

In case the Buyer makes a claim about the Goods that is legally covered by the Warranty provided by the Seller, the Seller shall fix the reported defects by means of repair or by the exchange of the damaged part or product for a new one. Based on the agreement of the Buyer, the Seller has the right to exchange the defected Goods for a fully compatible Goods of the same or better technical characteristics. The Seller is entitled to choose the form of the Warranty Claim Procedures described in this paragraph.

The Seller shall settle the Warranty Claim within 30 days after the delivery of the defective Goods, unless a longer period has been agreed upon. The day when the repaired or exchanged Goods is handed over to the Buyer is considered to be the day of the Warranty Claim settlement. When the Seller is not able to settle the Warranty Claim within the agreed period due to the specific nature of the Goods defect, he and the Buyer shall make an agreement about an alternative solution. In case such agreement is not made, the Seller is obliged to provide the Buyer with a financial compensation in the form of a refund.



SEVEN SPORT s.r.o.

Registered Office: Borivojova 35/878, 130 00 Praha 3, Czech Republic
Headquarters: Delnicka 957, 749 01 Vitkov, Czech Republic
Warranty & Service Centre: Cermenska 486, 749 01 Vitkov, Czech Republic
CRN: 26847264
VAT ID: CZ26847264
Phone: +420 556 300 970
E-mail: eshop@insportline.cz
reklamace@insportline.cz
servis@insportline.cz
Web: www.insportline.cz

SK

INSPORTLIN s.r.o.

Headquarters, Warranty & Service centre: Elektricka 6471, 911 01 Trencin, Slovakia
CRN: 36311723
VAT ID: SK2020177082
Phone: +421(0)326 526 701
E-mail: objednavky@insportline.sk
reklamacie@insportline.sk
servis@insportline.sk
Web: www.insportline.sk

Date of Sale:

Stamp and Signature of Seller: